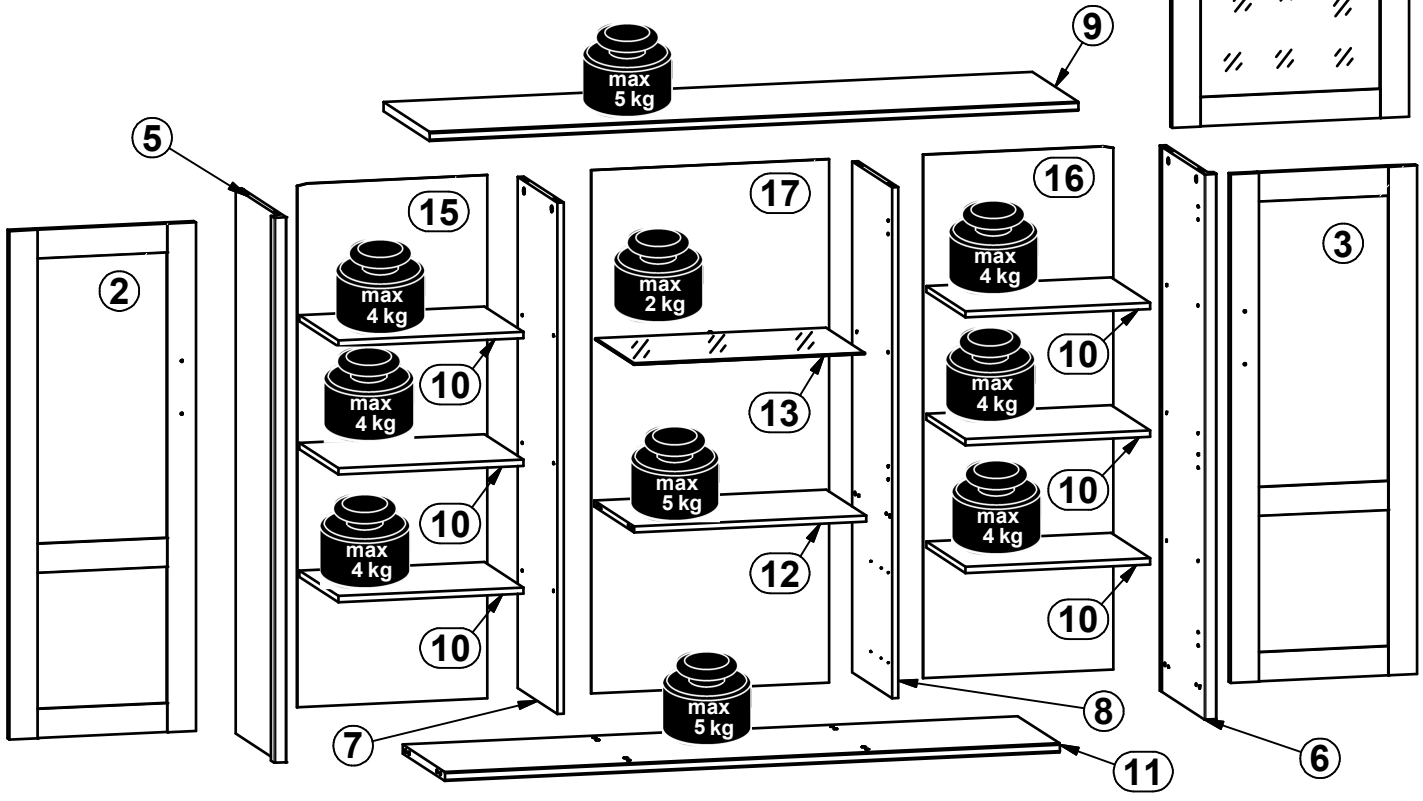
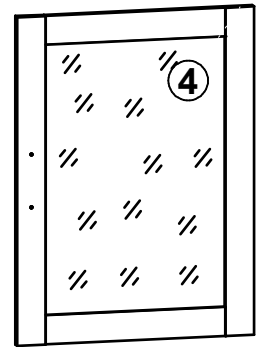
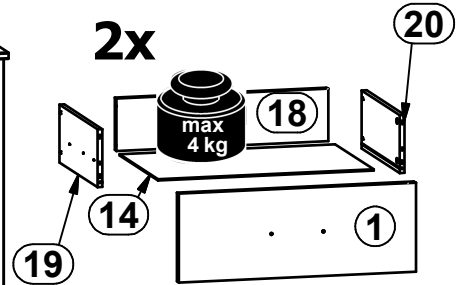
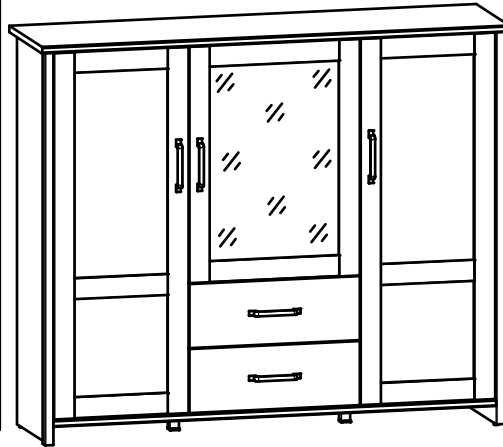
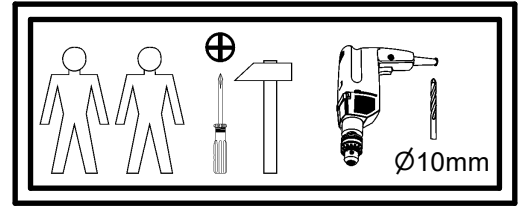


A

LOKSA

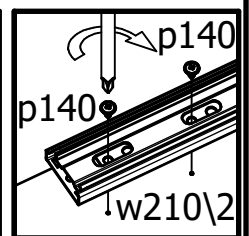
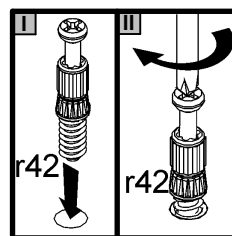
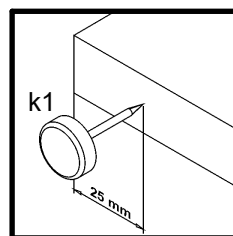
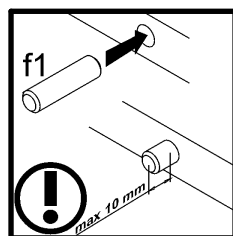
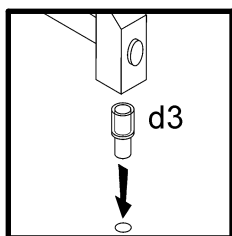
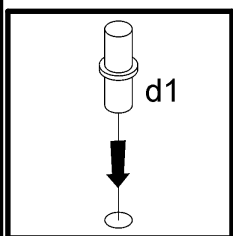
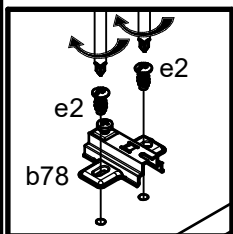
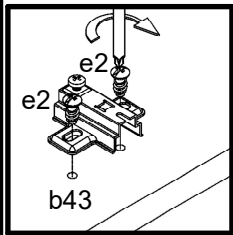
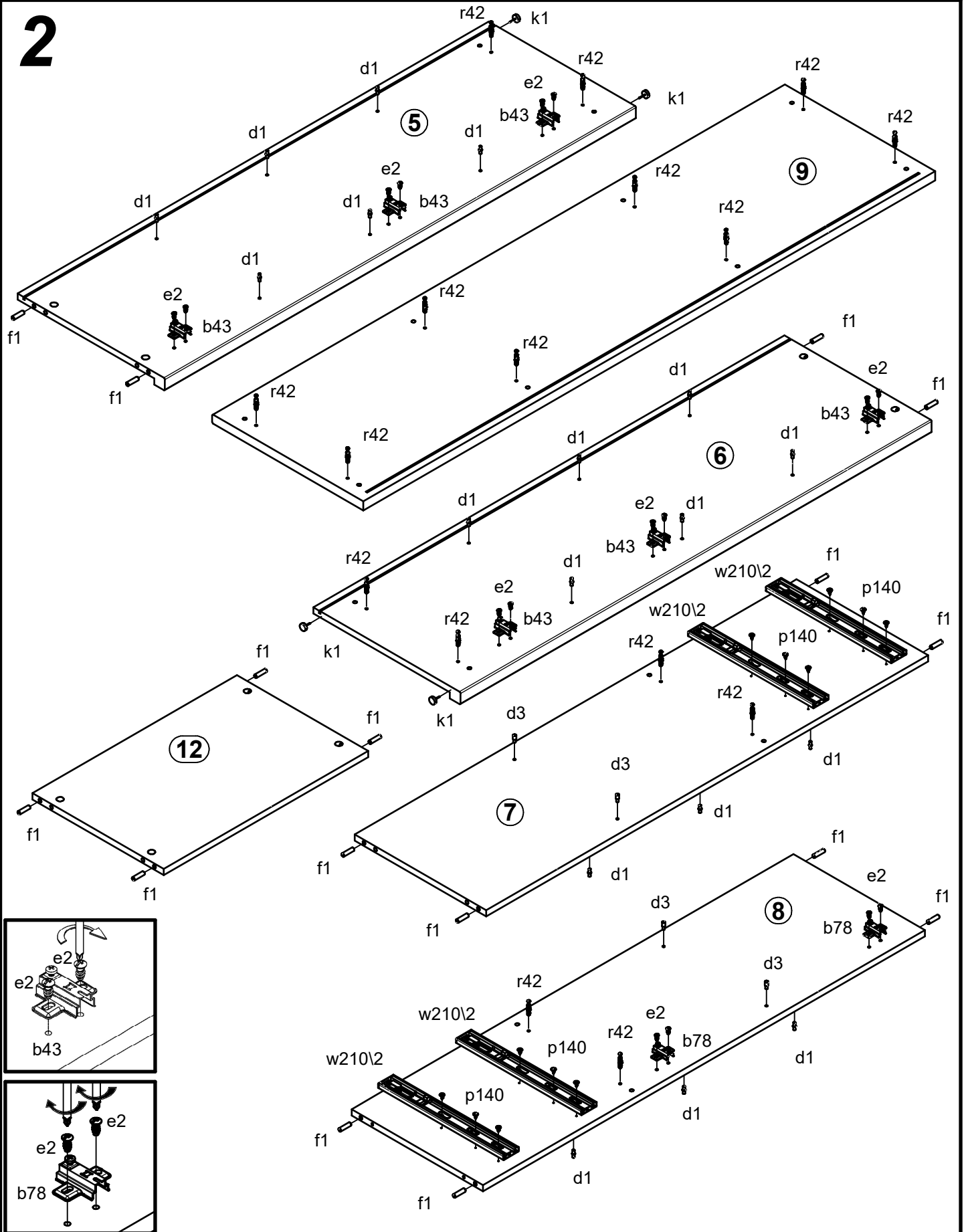
S455-REG2D1W2S

A	B	C	D	
1	S455-0019	584	215	3/3
2	S455-0022	1230	460	3/3
3	S455-0023	1230	460	3/3
4	S455-0024	794	584	3/3
5	S455-1027	1318	412	2/3
6	S455-1028	1318	412	2/3
7	S455-1029	1236	368	1/3
8	S455-1030	1236	368	1/3
9	S455-2012	1600	423	2/3
10	S455-3007	456	360	1/3
11	S455-3028	1516	389	2/3
12	S455-3029	572	367	1/3
13	S455-5055	570	355	1/3
14	S455-9013	532	355	1/3
15	S455-9014	1266	469	3/3
16	S455-9015	1266	469	3/3
17	S455-9016	1266	586	3/3
18	ZK3-5048	522	127	1/3
19	ZK4-513	350	140	1/3
20	ZK4-514	350	140	1/3

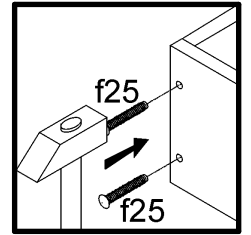
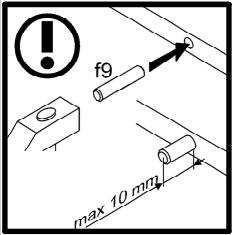
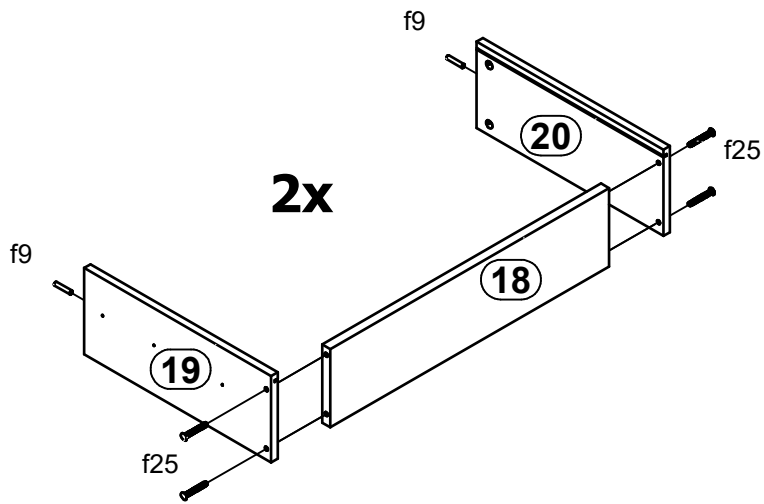


3x a133	2x a159	6x a160	6x b43	2x b78	5x c526	24x d1	4x d3	4x e1
18x e2	20x f1	4x f9	8x f25	4x k1	2x k38/3	2x k38/8	20x l1	9x l2
12x n108	1x o43/6	4x o43/8	10x p9	2x p25	2x p35	17x p38	16x p51	12x p55
24x p140	16x r1	8x r15	24x r42	2x t35	4x w210/1	4x w210/2	8x s2	1x z1
1x n26								

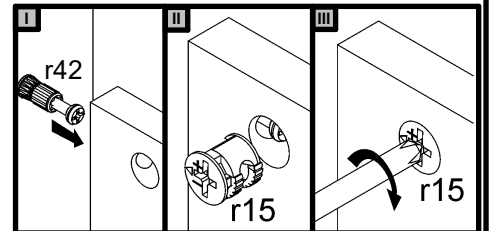
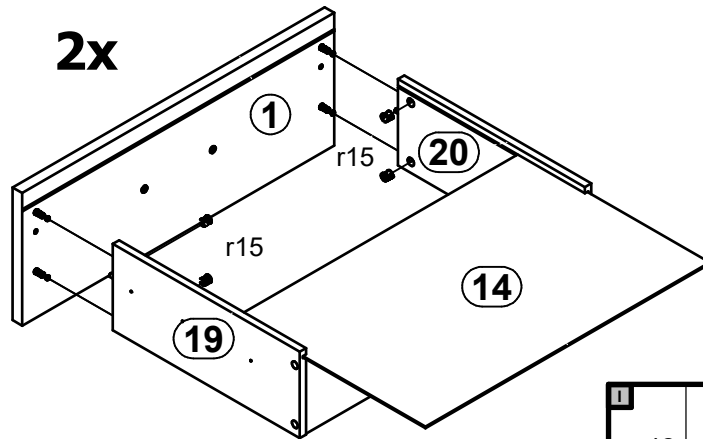
2



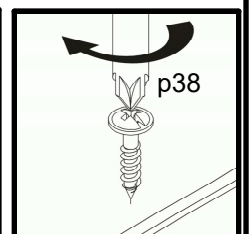
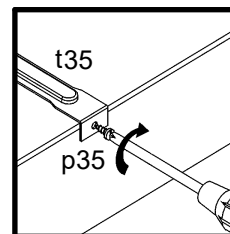
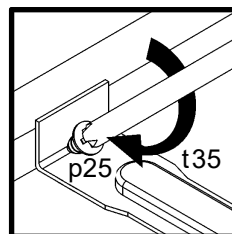
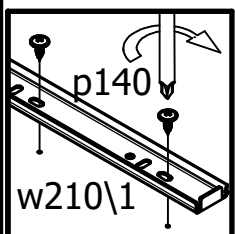
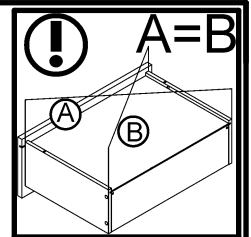
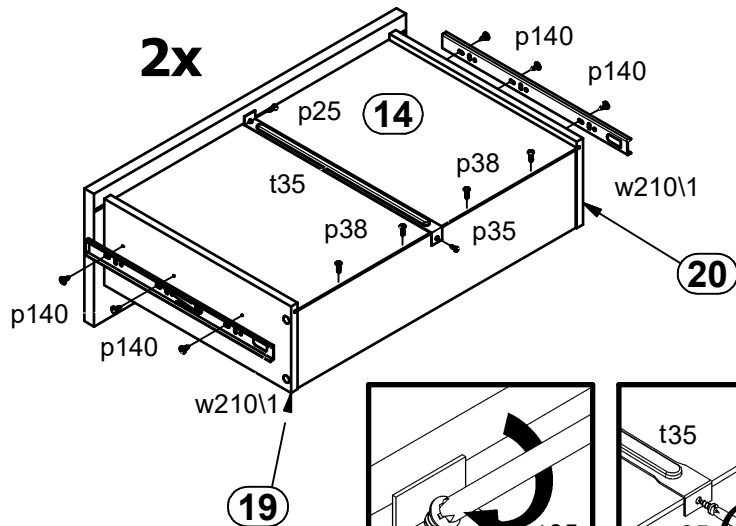
3



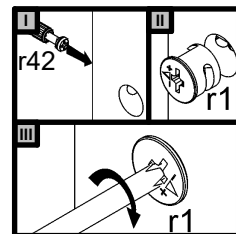
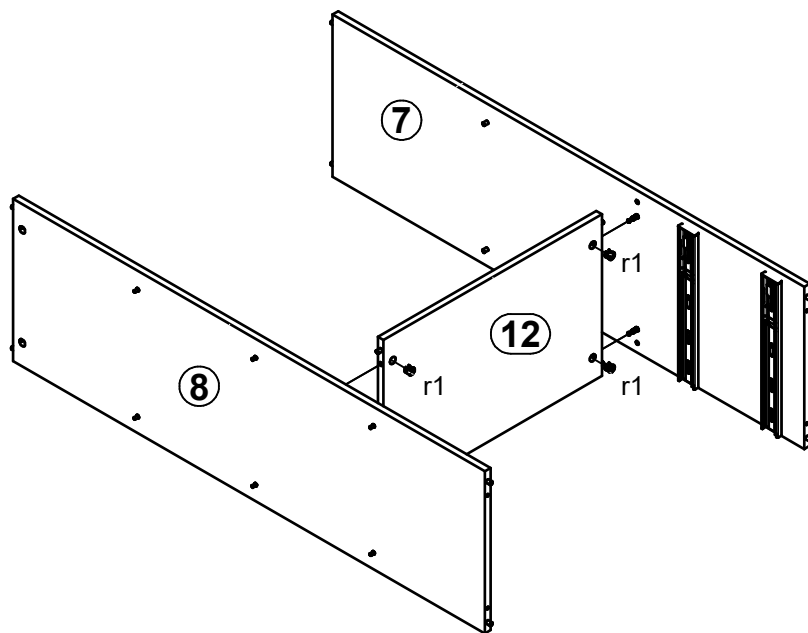
4



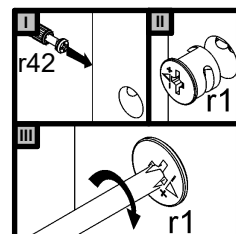
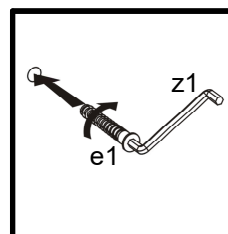
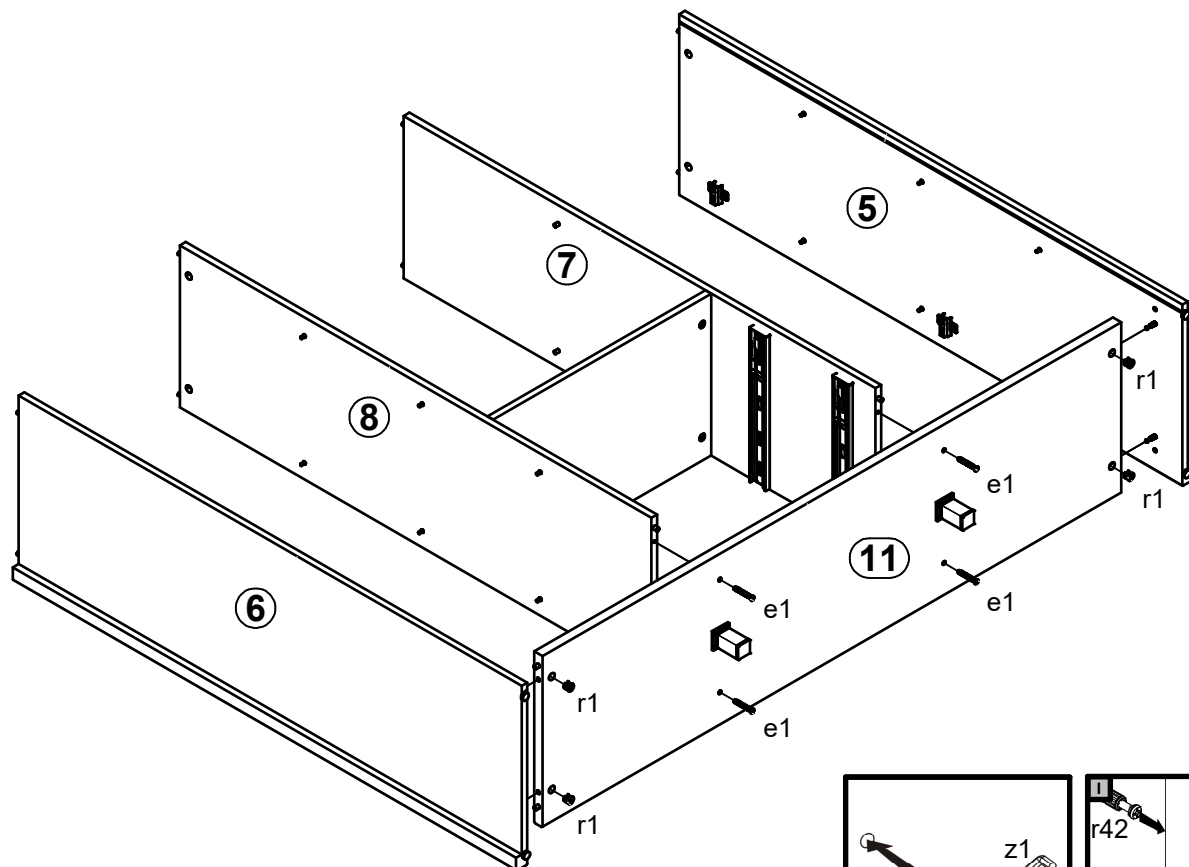
5



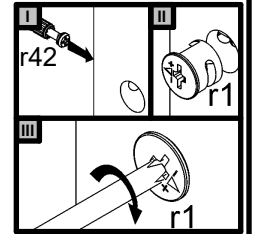
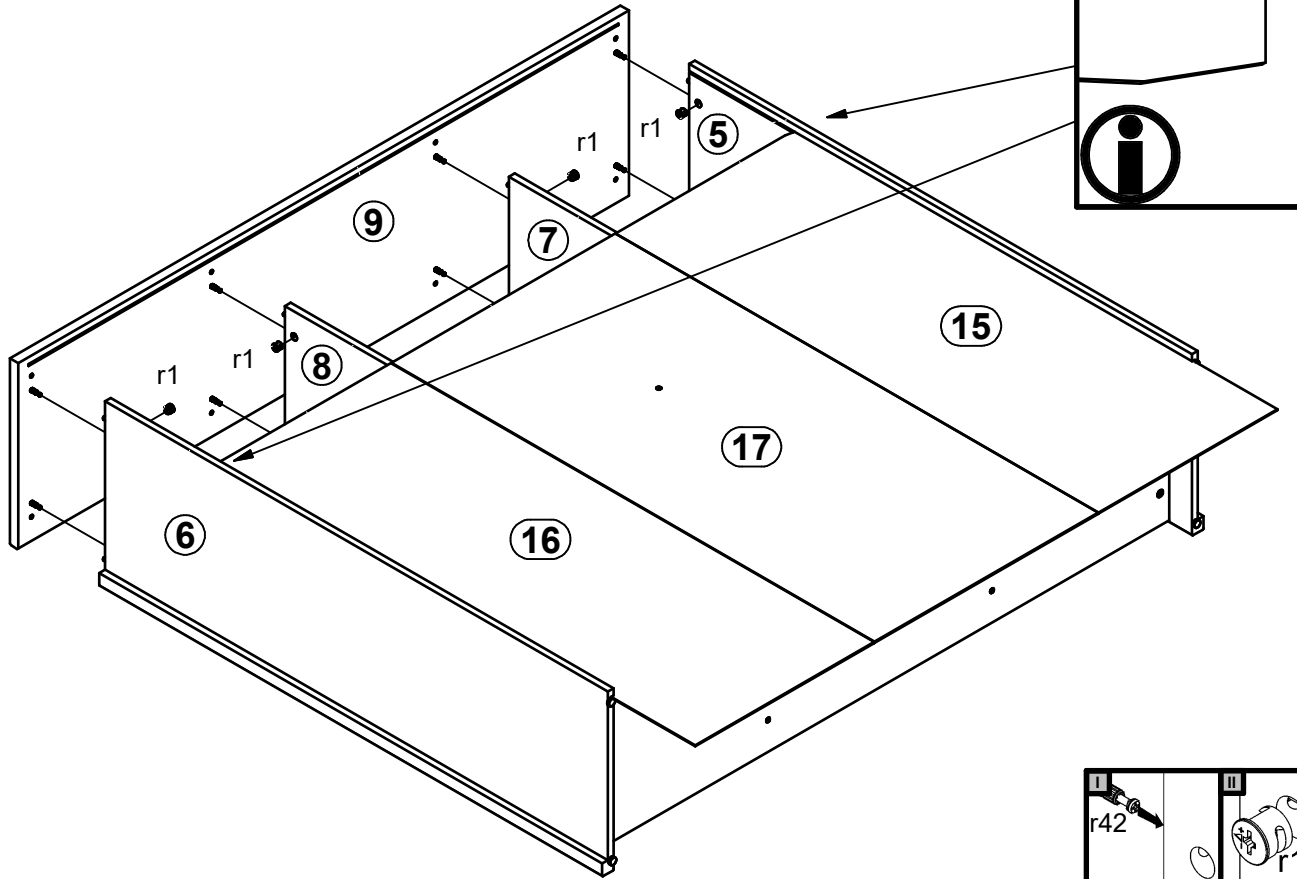
6



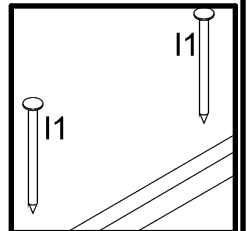
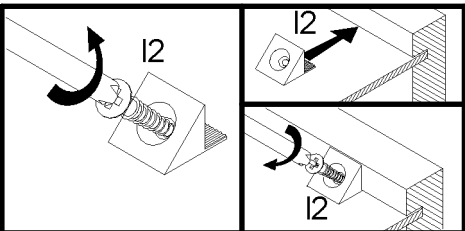
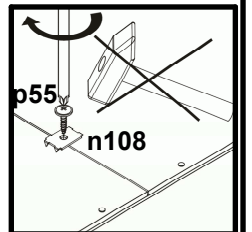
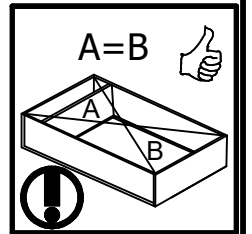
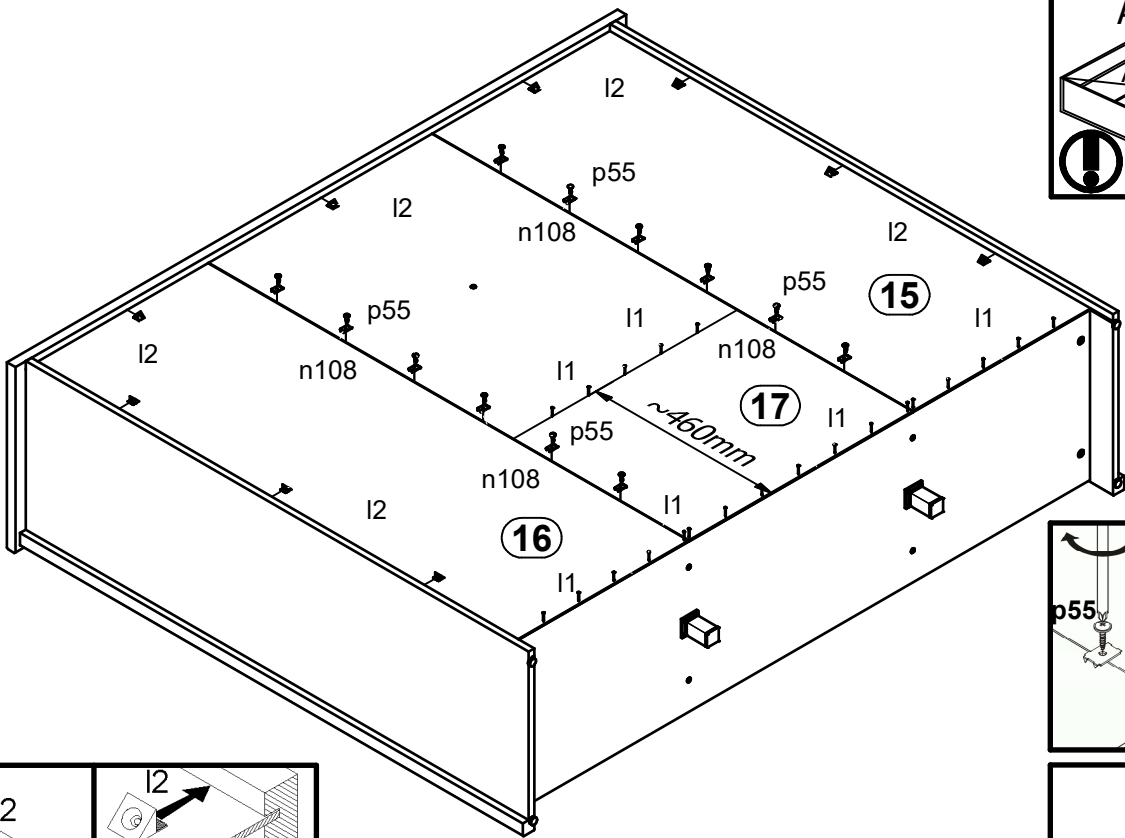
7



8



9



10

