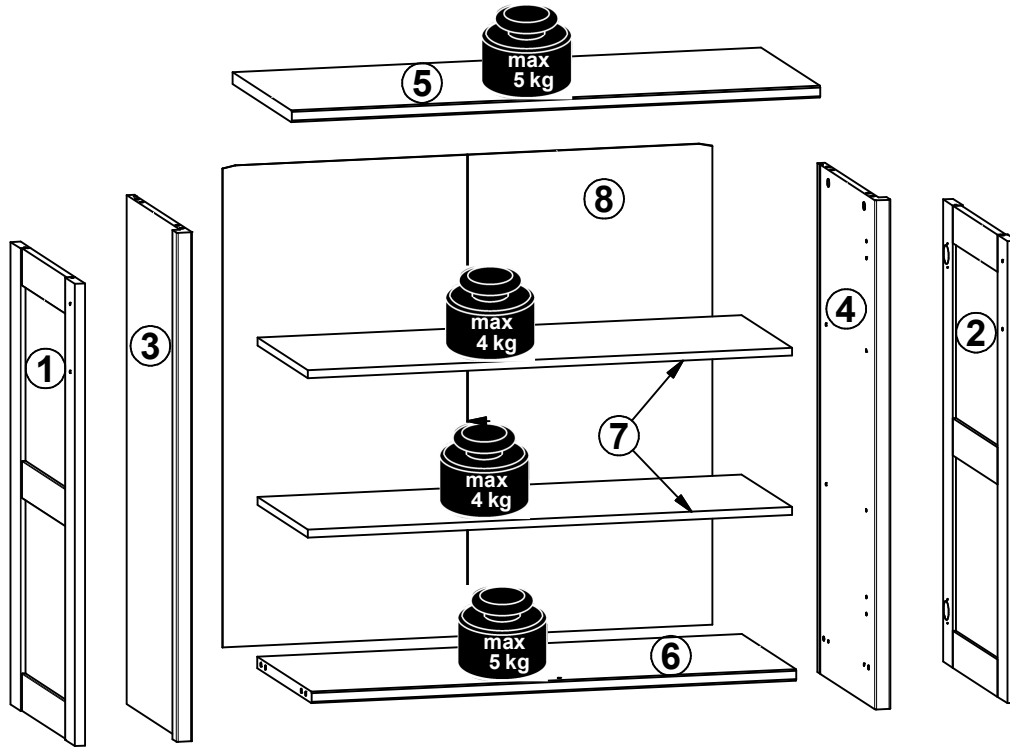
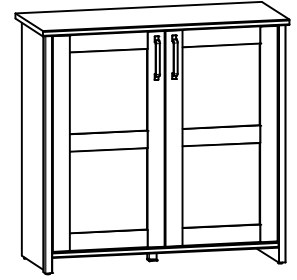
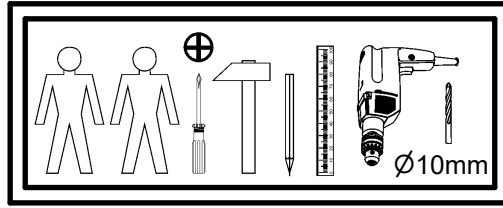
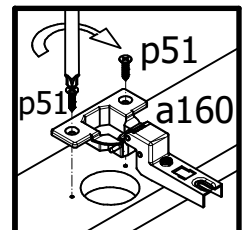
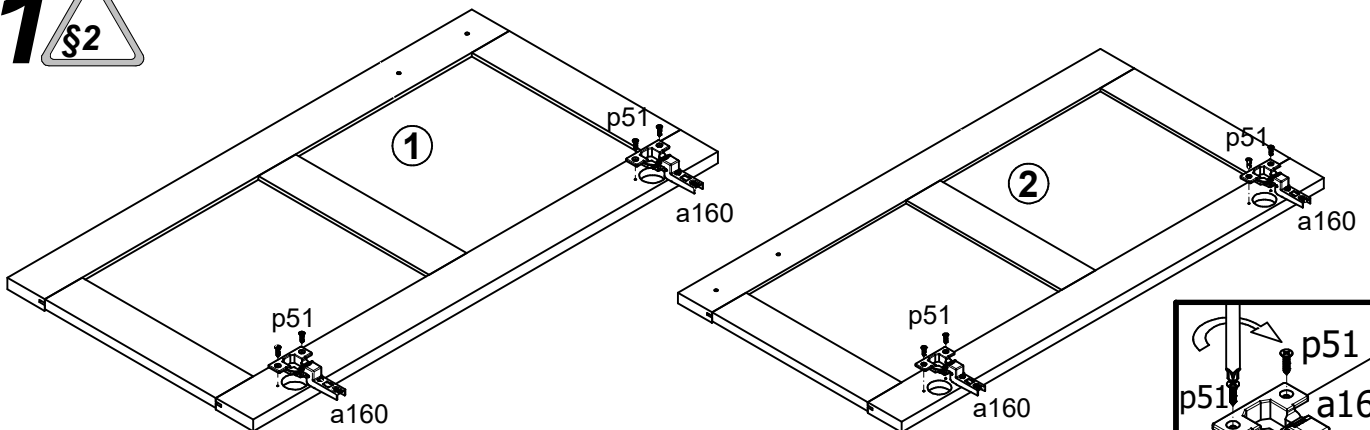
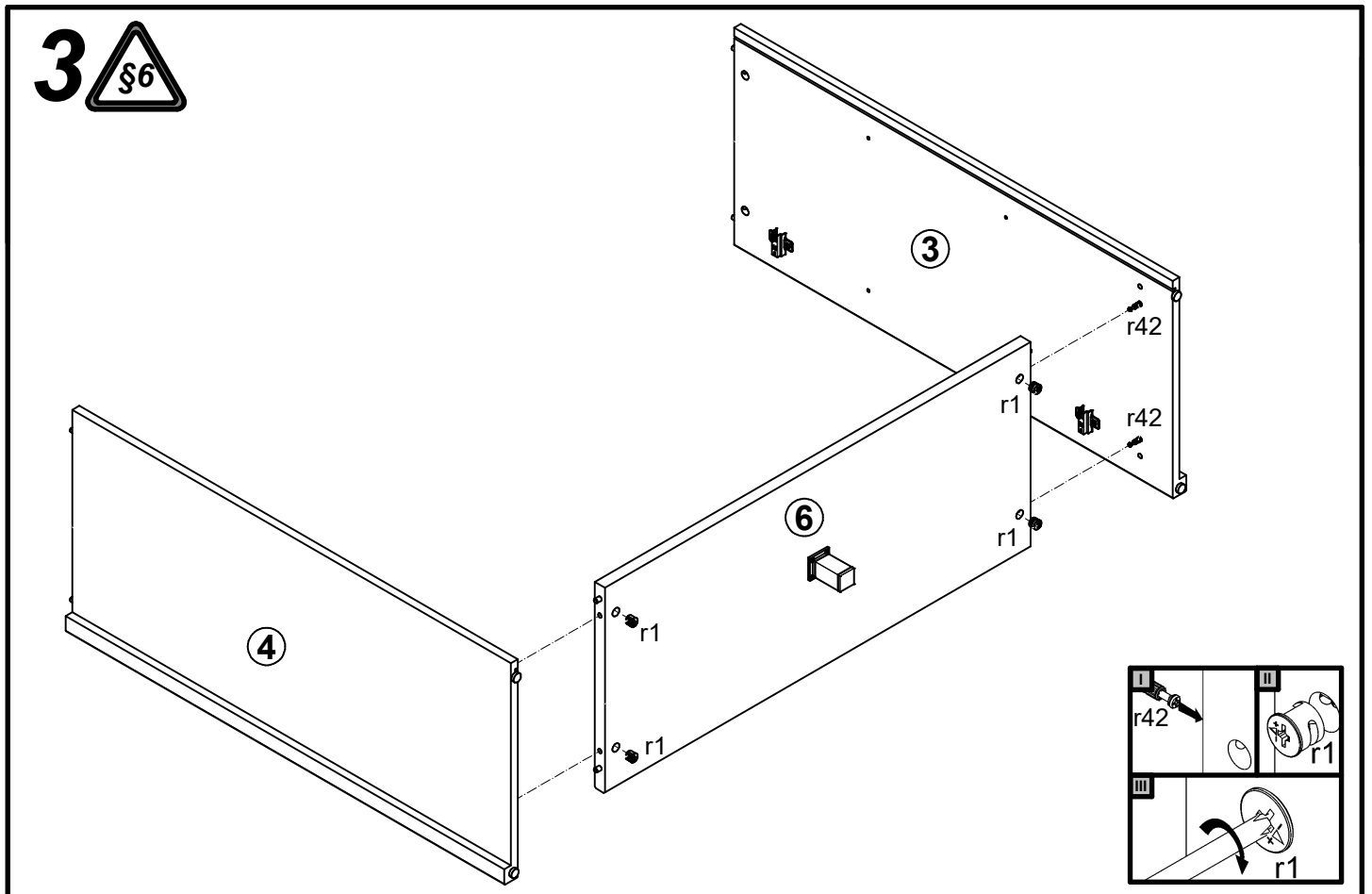
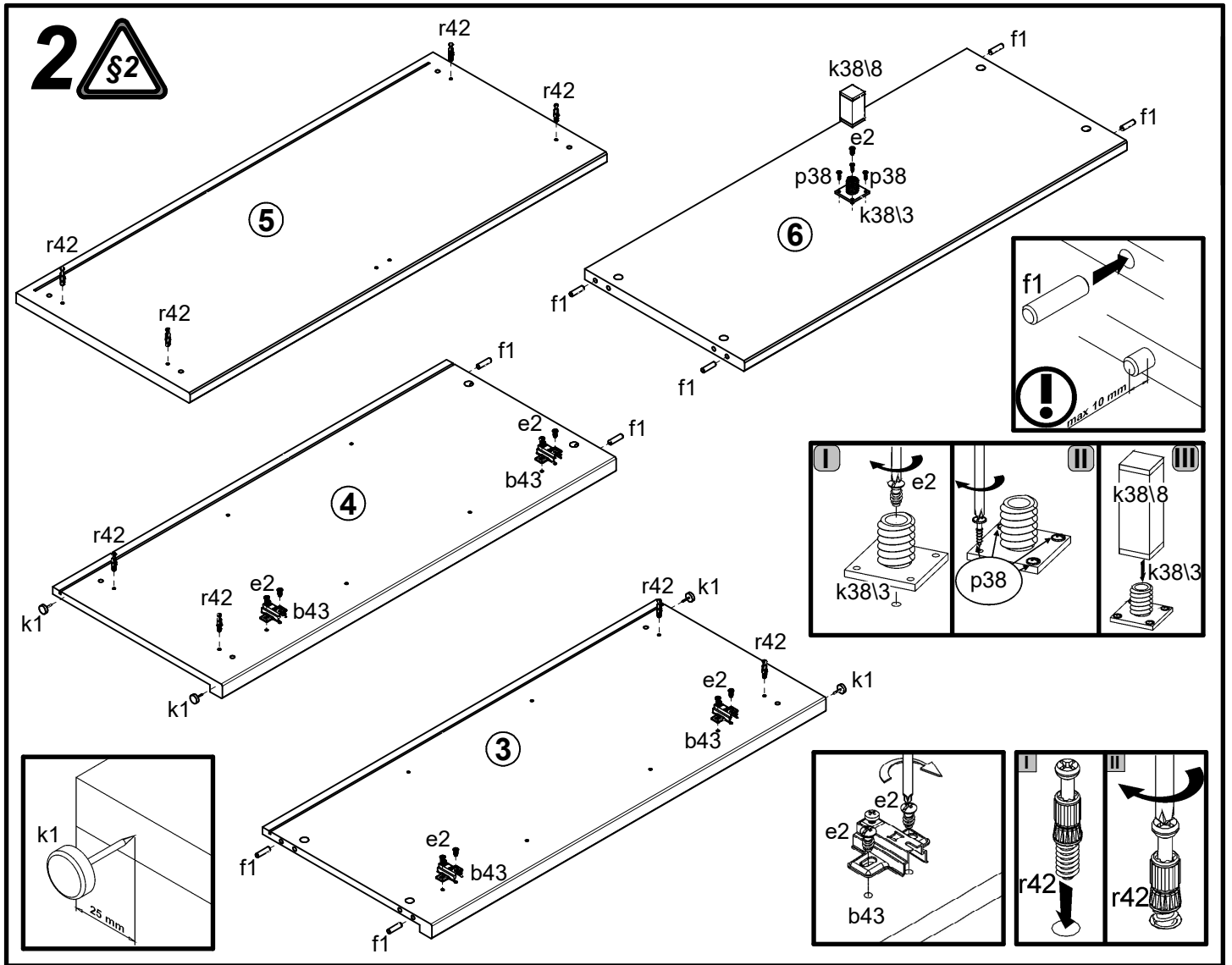


A	B	C	D
1	S455-0005	869	460 2/2
2	S455-0009	869	460 2/2
3	S455-1007	957	412 1/2
4	S455-1008	957	412 1/2
5	S455-2004	1013	423 1/2
6	S455-3008	929	389 1/2
7	S455-3009	928	360 1/2
8	S455-9304	905	939 2/2

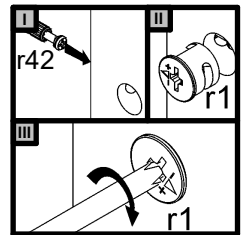
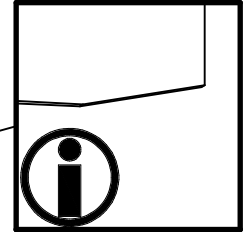
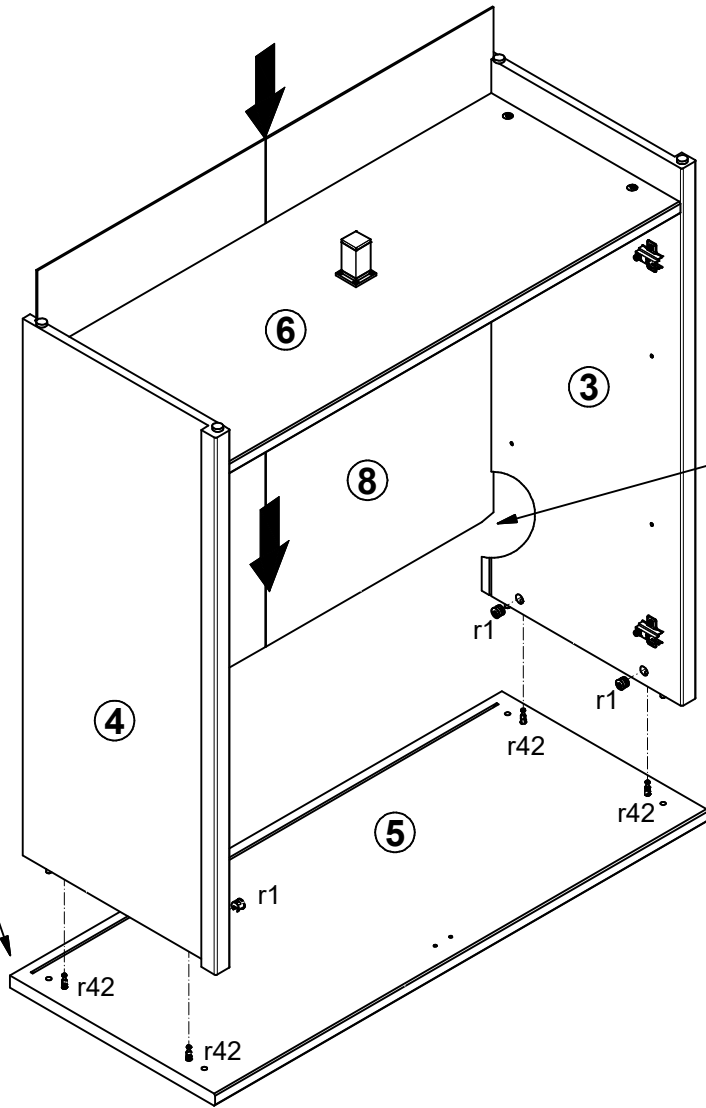
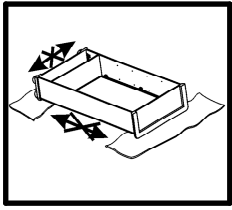


2x a133	4x a160	4x b43	2x c526 128mm	8x d1 Ø5x17 mm	4x d5 Ø6.3x15 mm	9x e2 Ø6.3x13 mm	8x f1 Ø8x30 mm	4x k1
1x k38l3 42.5x42.5x4 mm	1x k38l8 30x30x60 mm	10x l1 1.4x20 mm	6x l2	4x p9 Ø4x30 mm	4x p38 Ø3.5x16 mm	8x p51 Ø3.5x15 mm	8x r1 Ø15x12 mm #16	8x r42 20/11
4x s2 Ø16							1x n26	1x p38 Ø3.5x16 mm

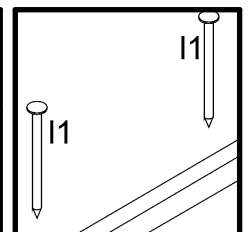
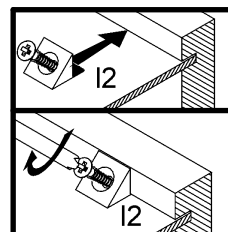
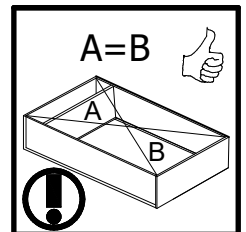
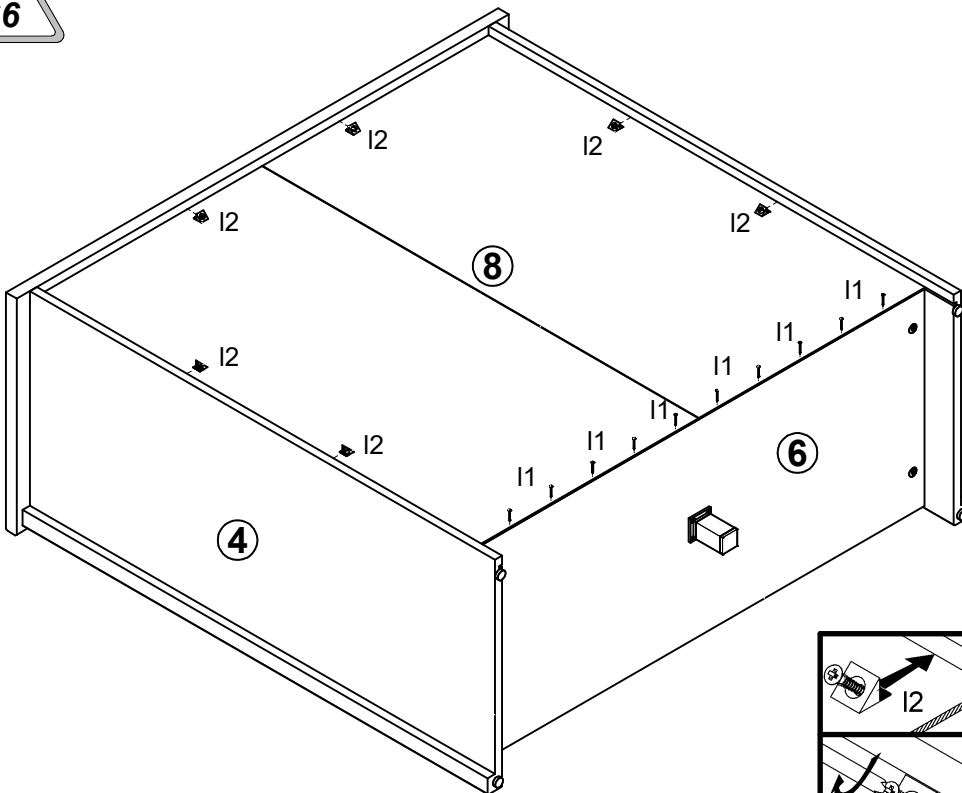




4 §6

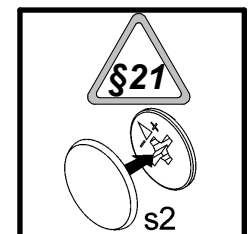
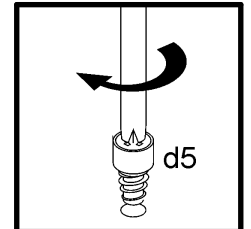
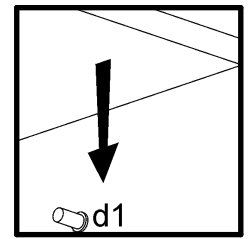
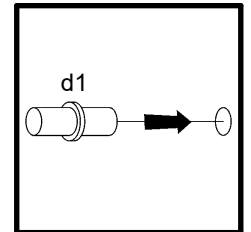
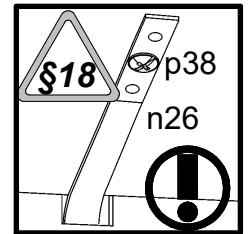
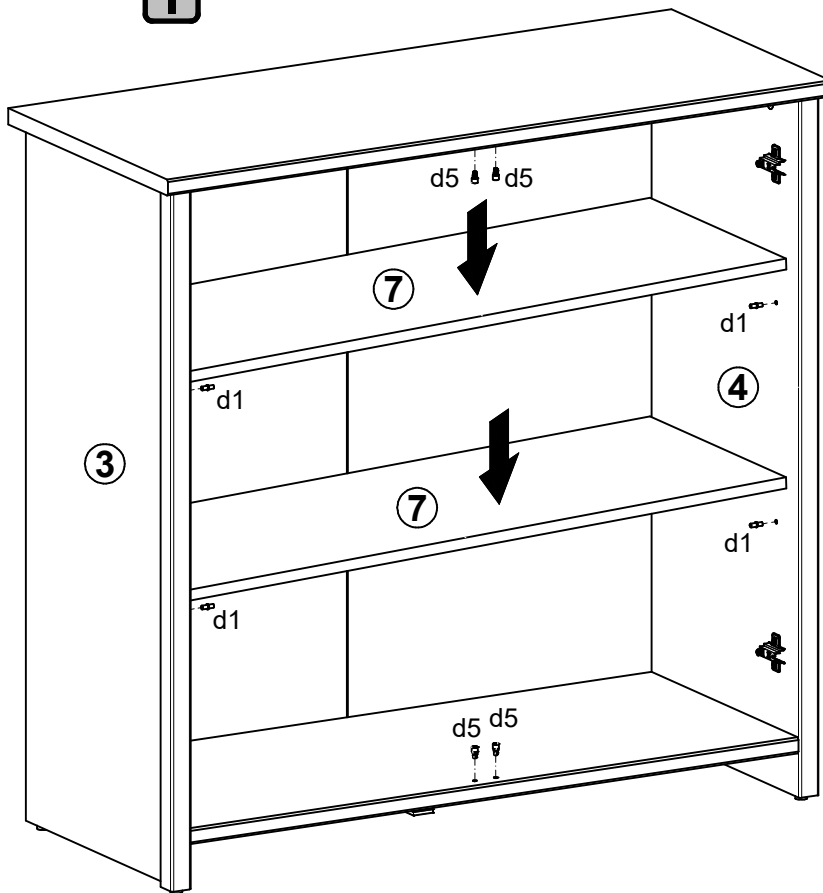


5 §6



6 §6

I



II

