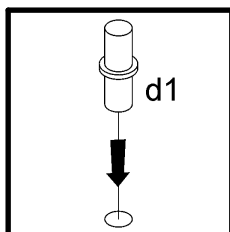
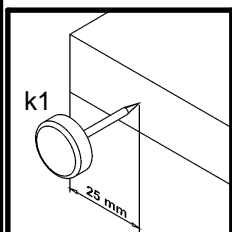
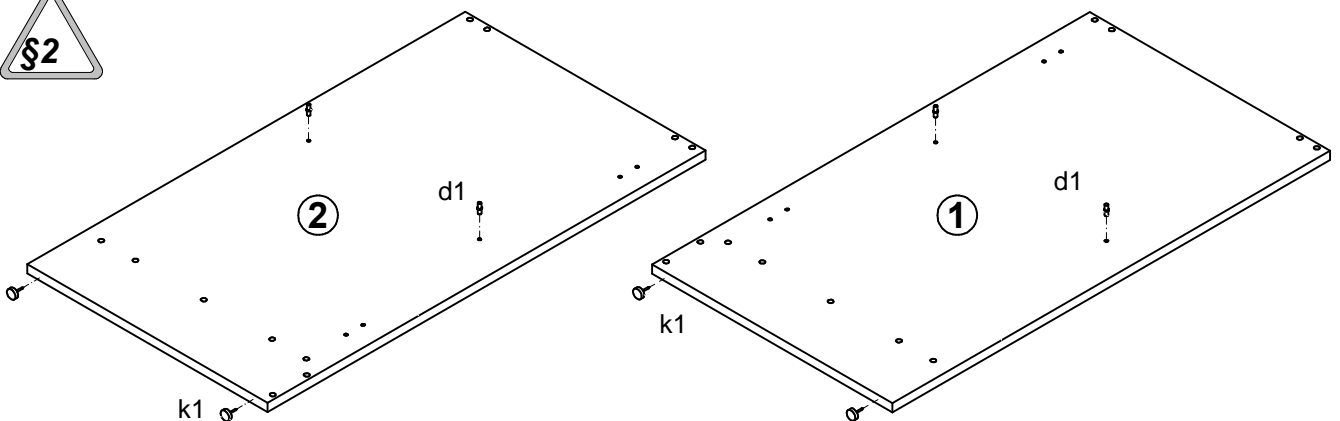
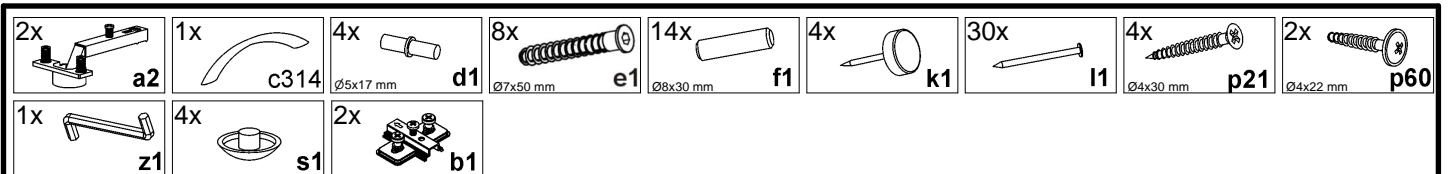
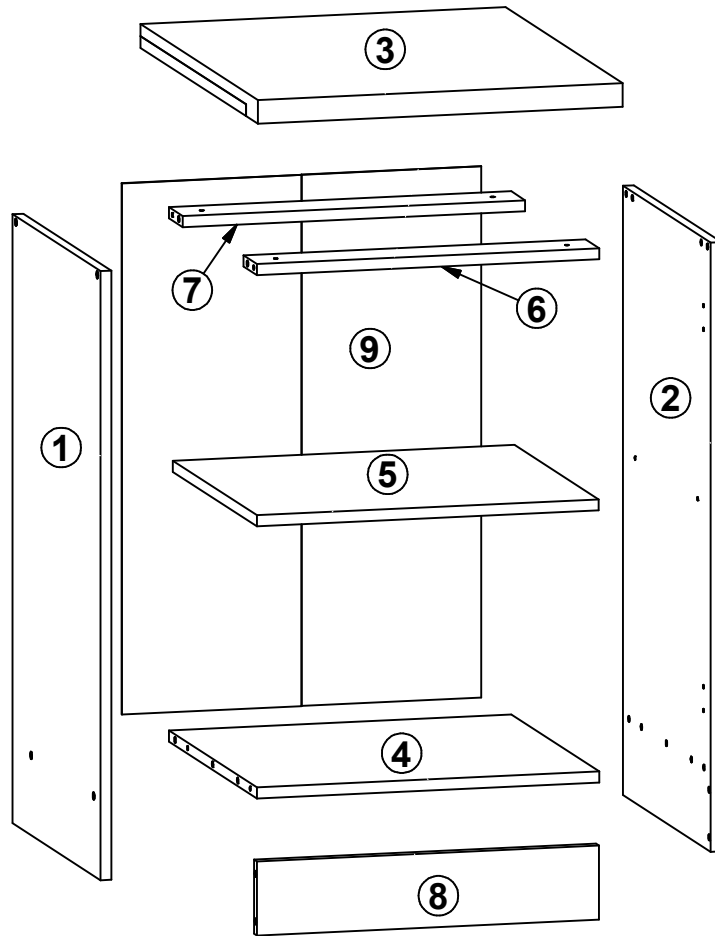
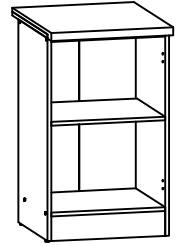


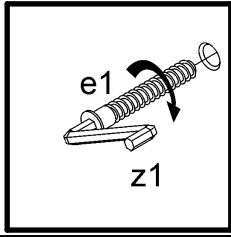
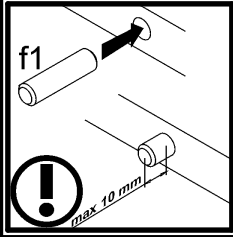
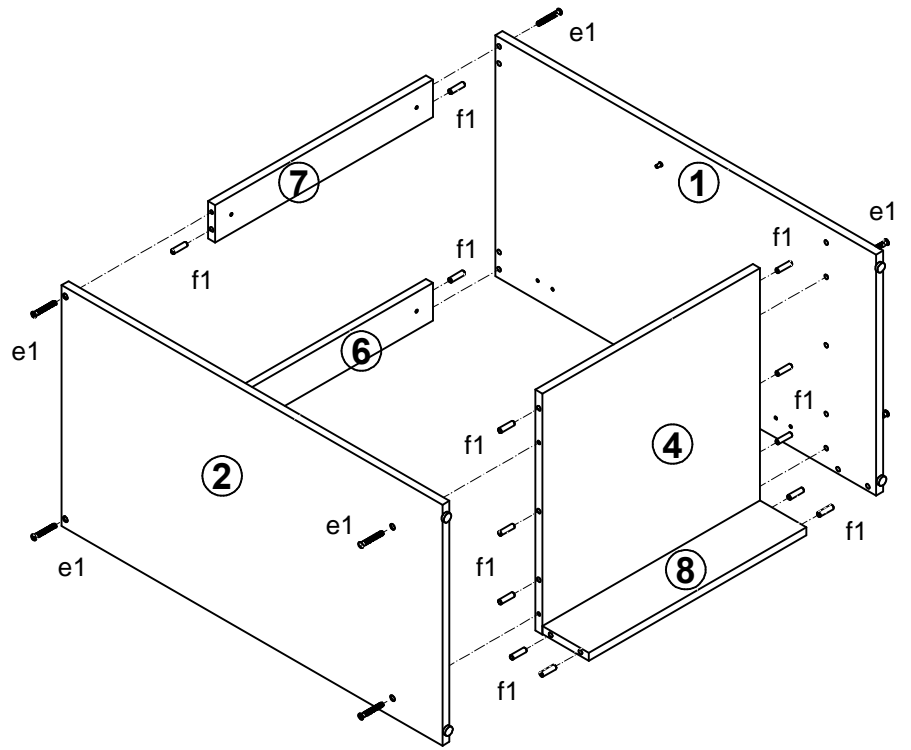
# Junona Line

K22-D1D/50/82 L/P

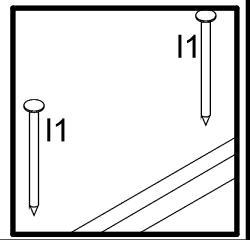
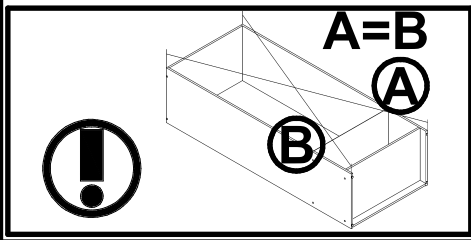
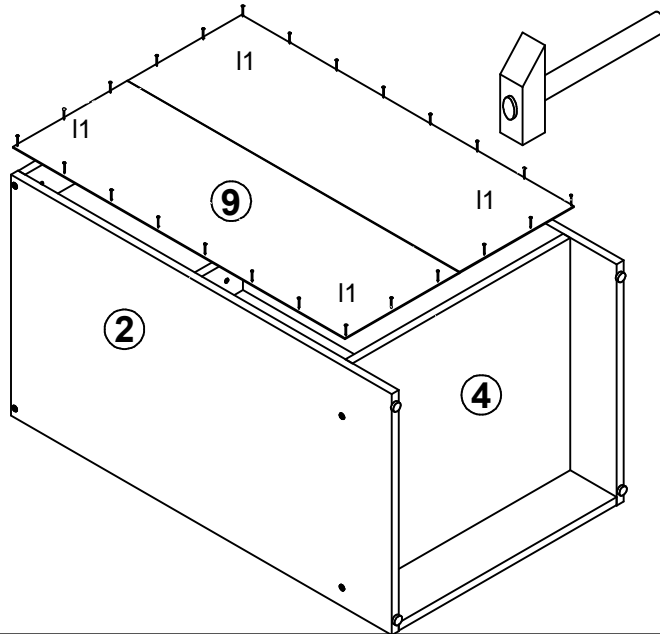
A	B	C	D
1	K22-107	820	450
2	K22-108	820	450
3	K22-201	500	600
4	K22-303	469	450
5	K22-304	468	430
6	K22-402	469	70
7	K22-403	469	70
8	K22-404	469	100
9	K22-916	715	493



# 2



# 3



# 4

