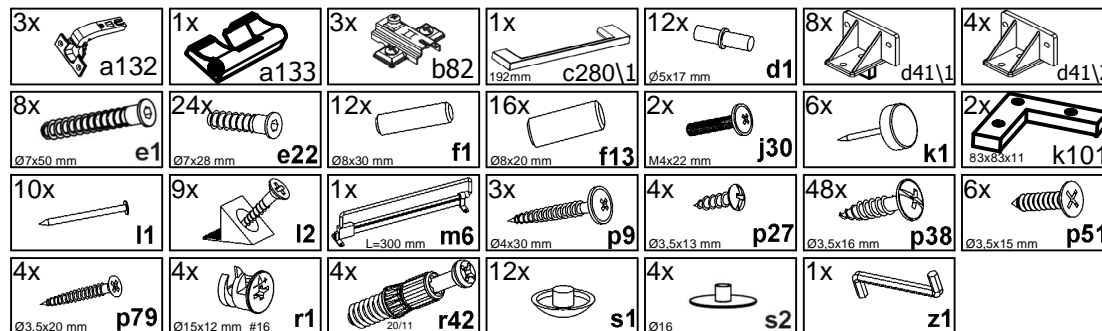
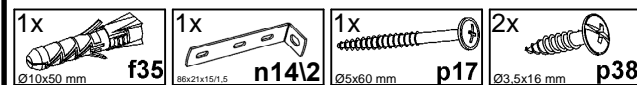
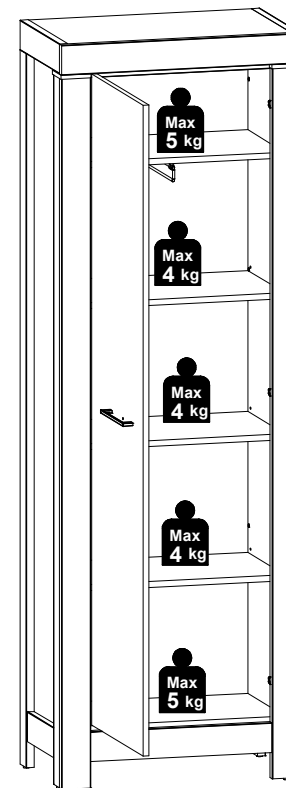
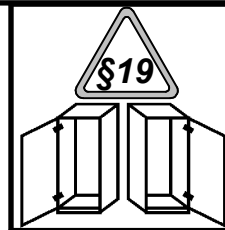
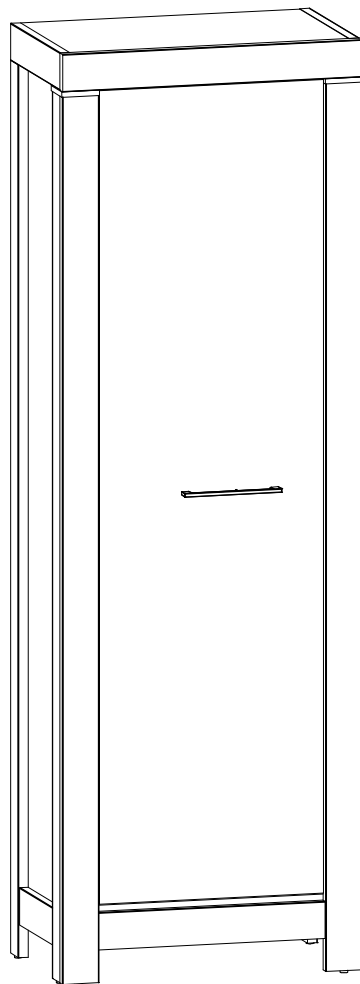
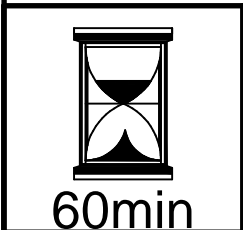
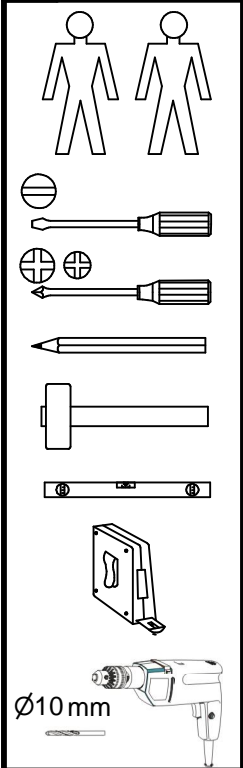
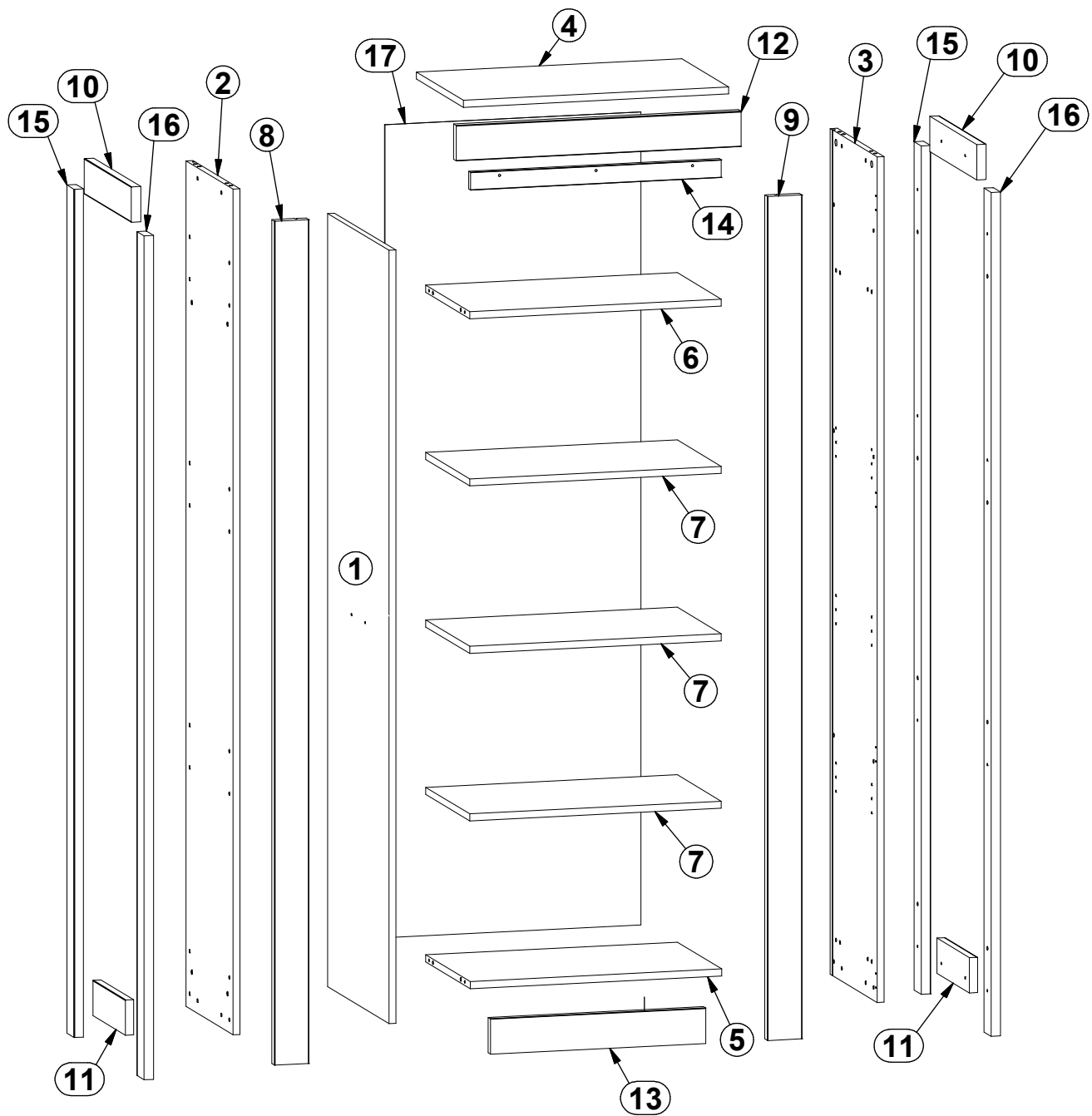


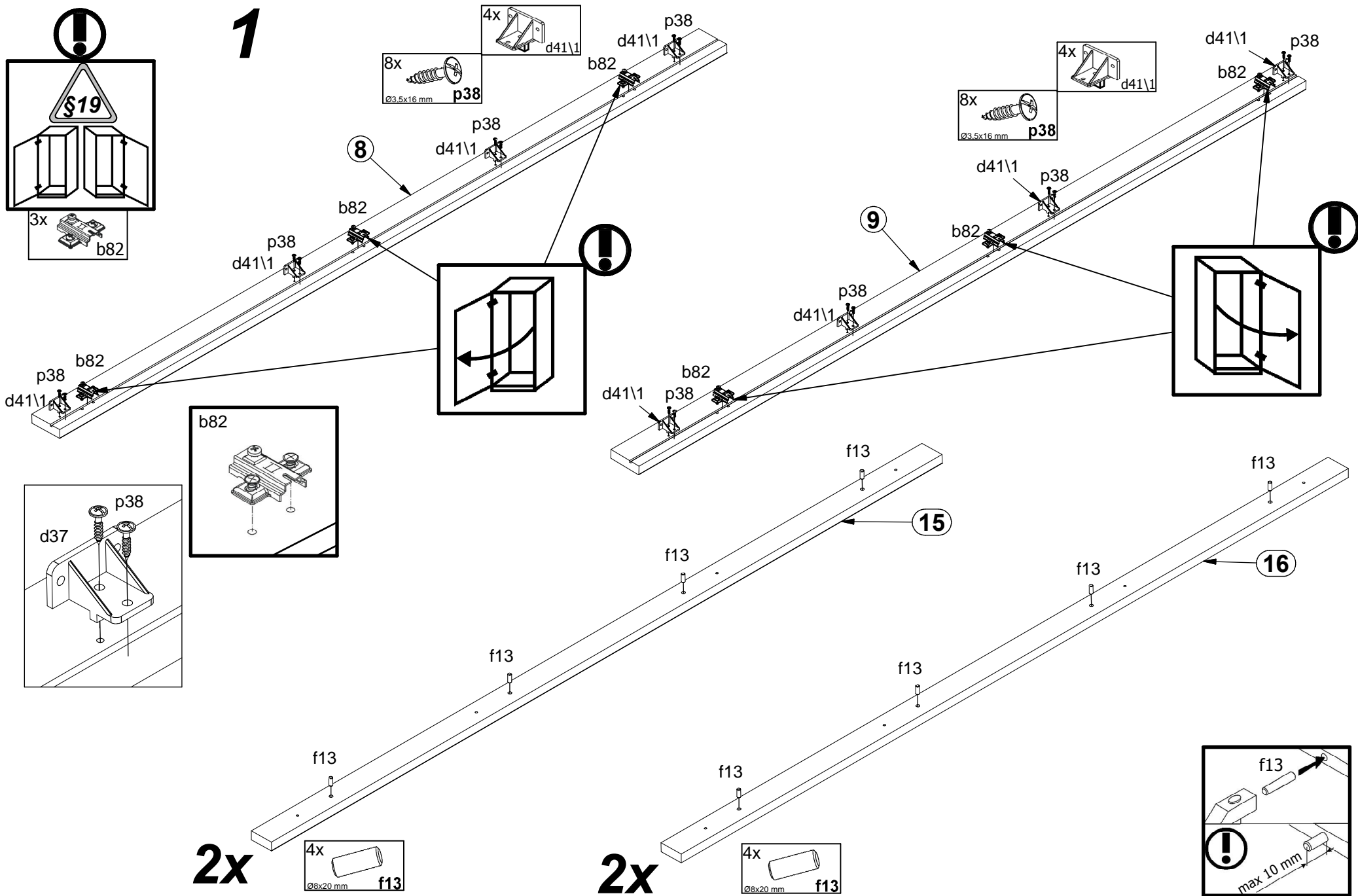
A

M244-REG1D/20/7



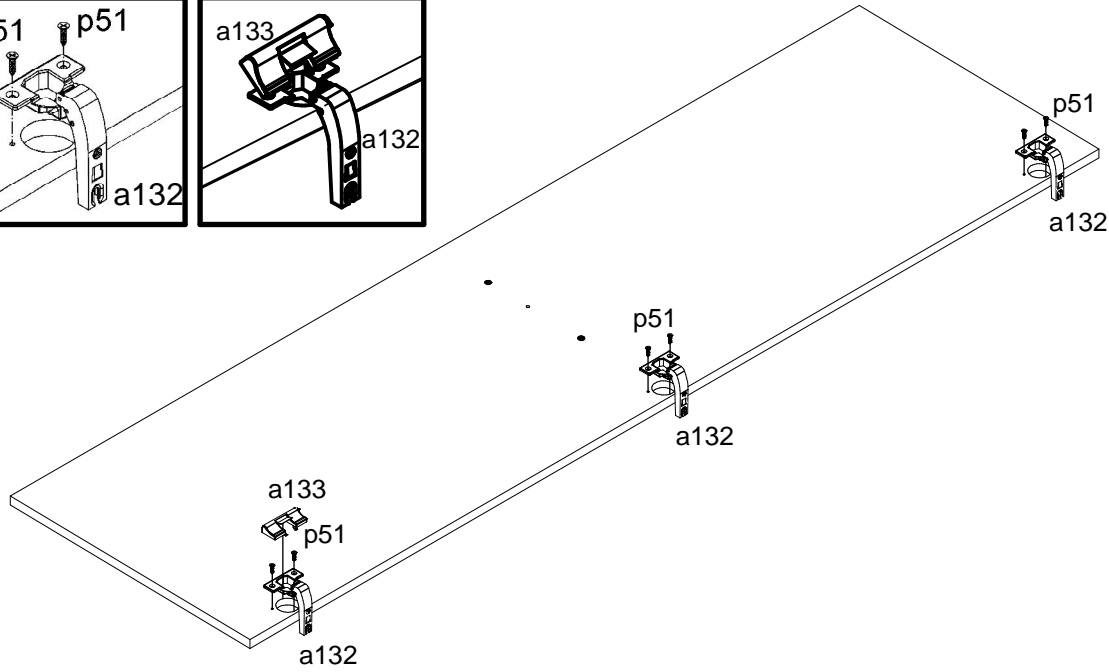
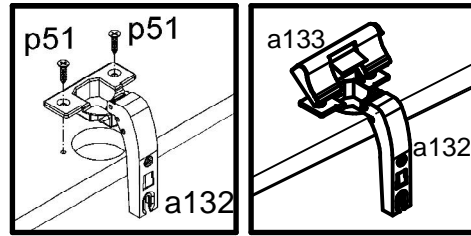


A	B	C1	C2	C3	D
1	M244-0003	1750	494,	16	2/3
2	M244-1004	1914	378	16	1/3
3	M244-1005	1914	378	16	1/3
4	M244-2002	616	378	16	1/3
5	M244-3005	584	358	16	1/3
6	M244-3006	584	354,	16	1/3
7	M244-3007	584	354,	16	1/3
8	M244-5053	1910	80	22	3/3
9	M244-5054	1910	80	22	3/3
10	M244-5501	378	80	22,	3/3
11	M244-5502	262	80,	19,	3/3
12	M244-5554	661	80	22,	3/3
13	M244-5555	500	80,	19,	3/3
14	M244-5556	582	40	16	3/3
15	S228-5507	1920	58,	22	3/3
16	S228-5509	1910	58,	22	3/3
17	M244-9001	1840	594	2,5	3/3



A M244-REG1D/20/7

- 3x a132
- 1x a133
- 6x p51

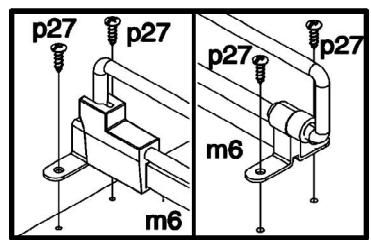
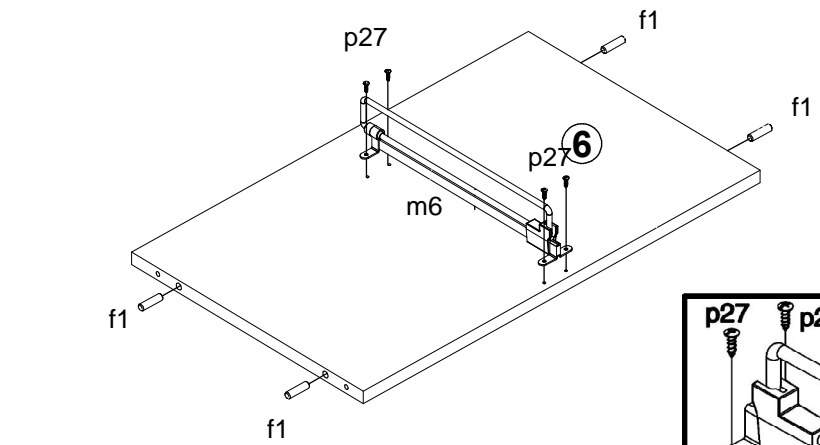
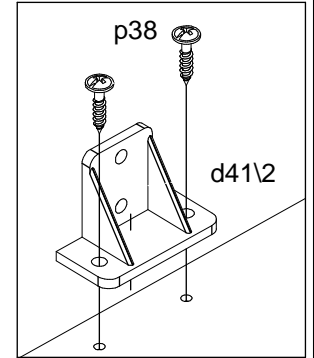
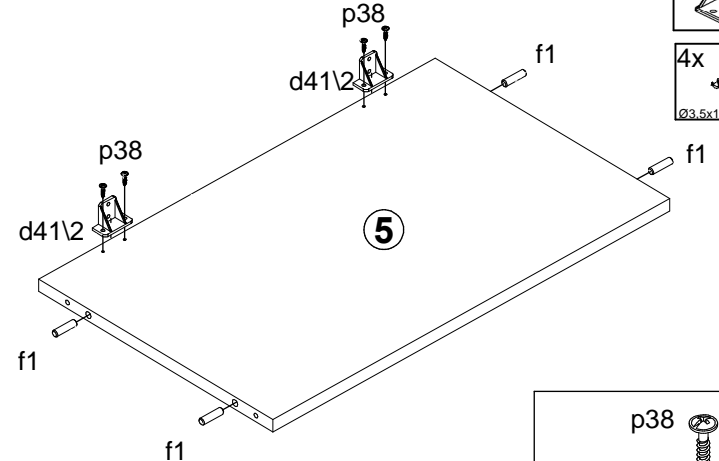


1

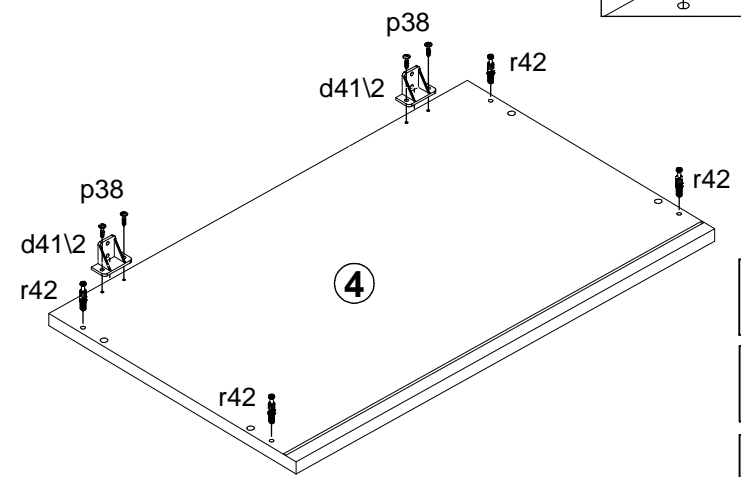
- 4x f1

- 2x d41\2

- 4x p38



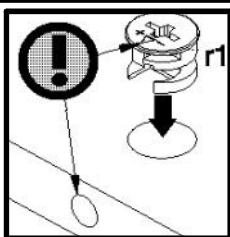
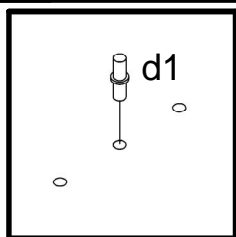
- 4x f1
- 1x m6
- 4x p27



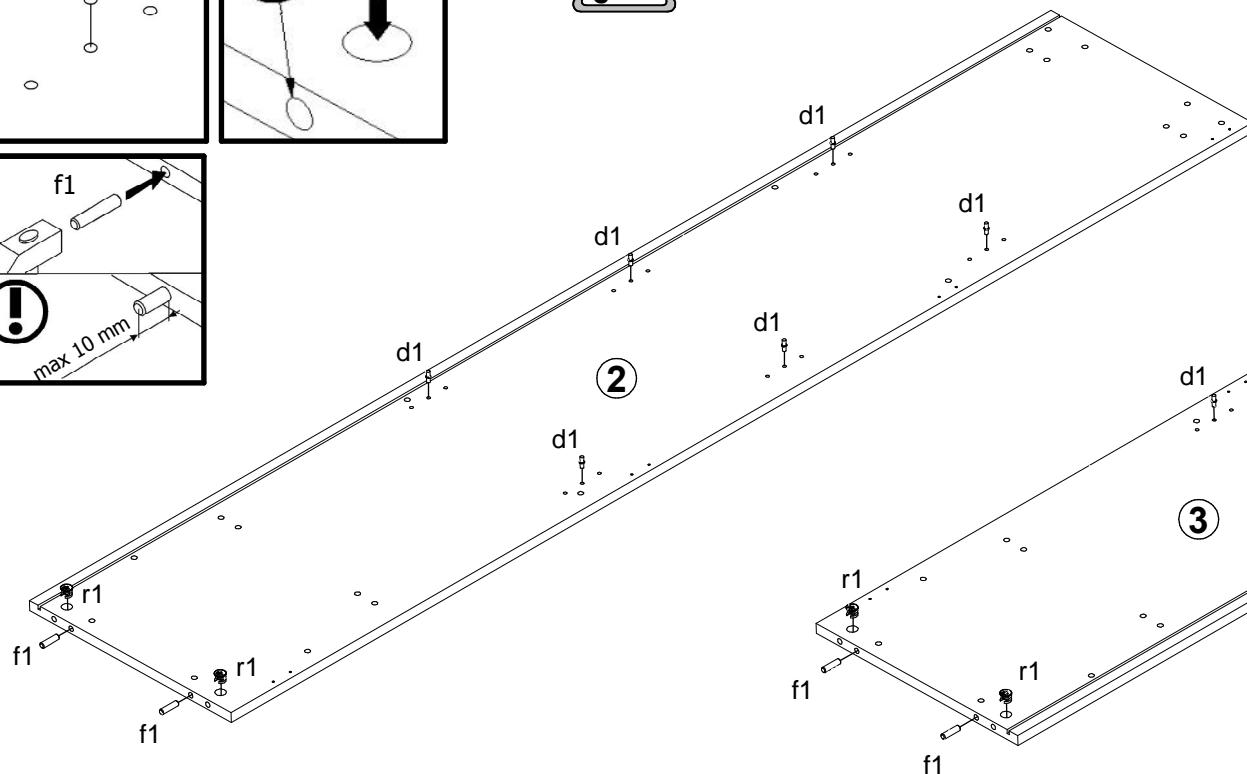
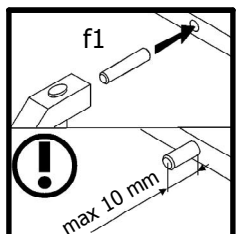
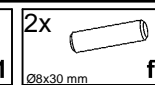
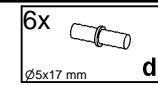
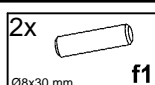
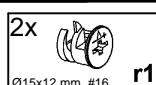
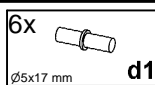
- 2x d41\2

- 4x p38

- 4x r42

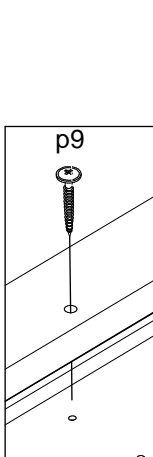


1

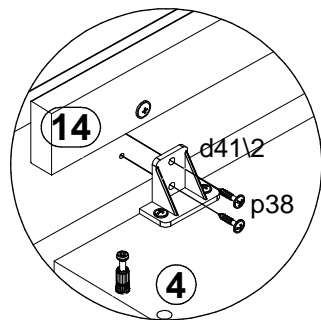
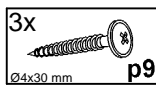
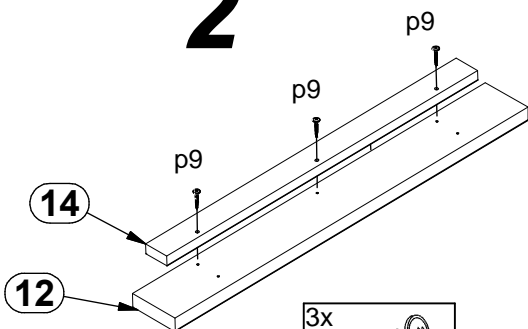


2

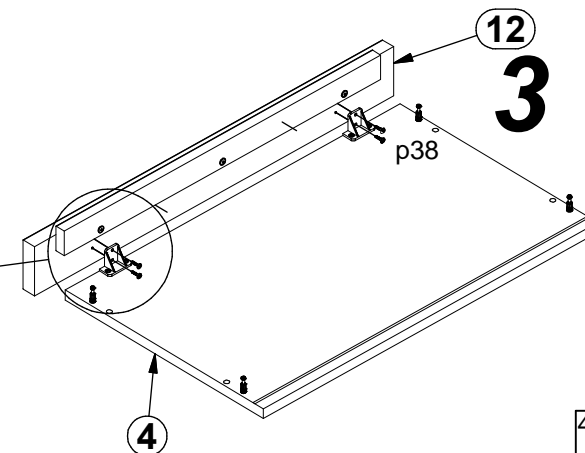
3



2

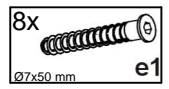
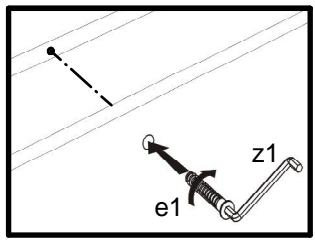
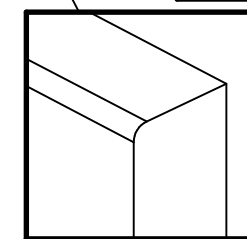
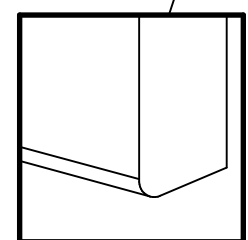
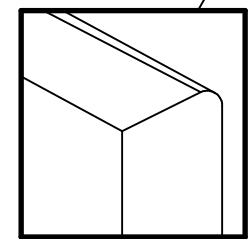
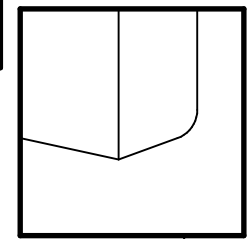
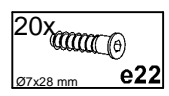
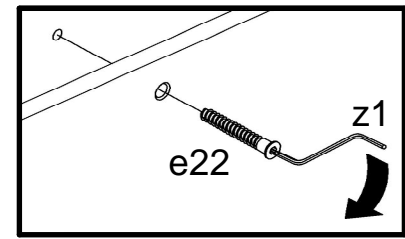
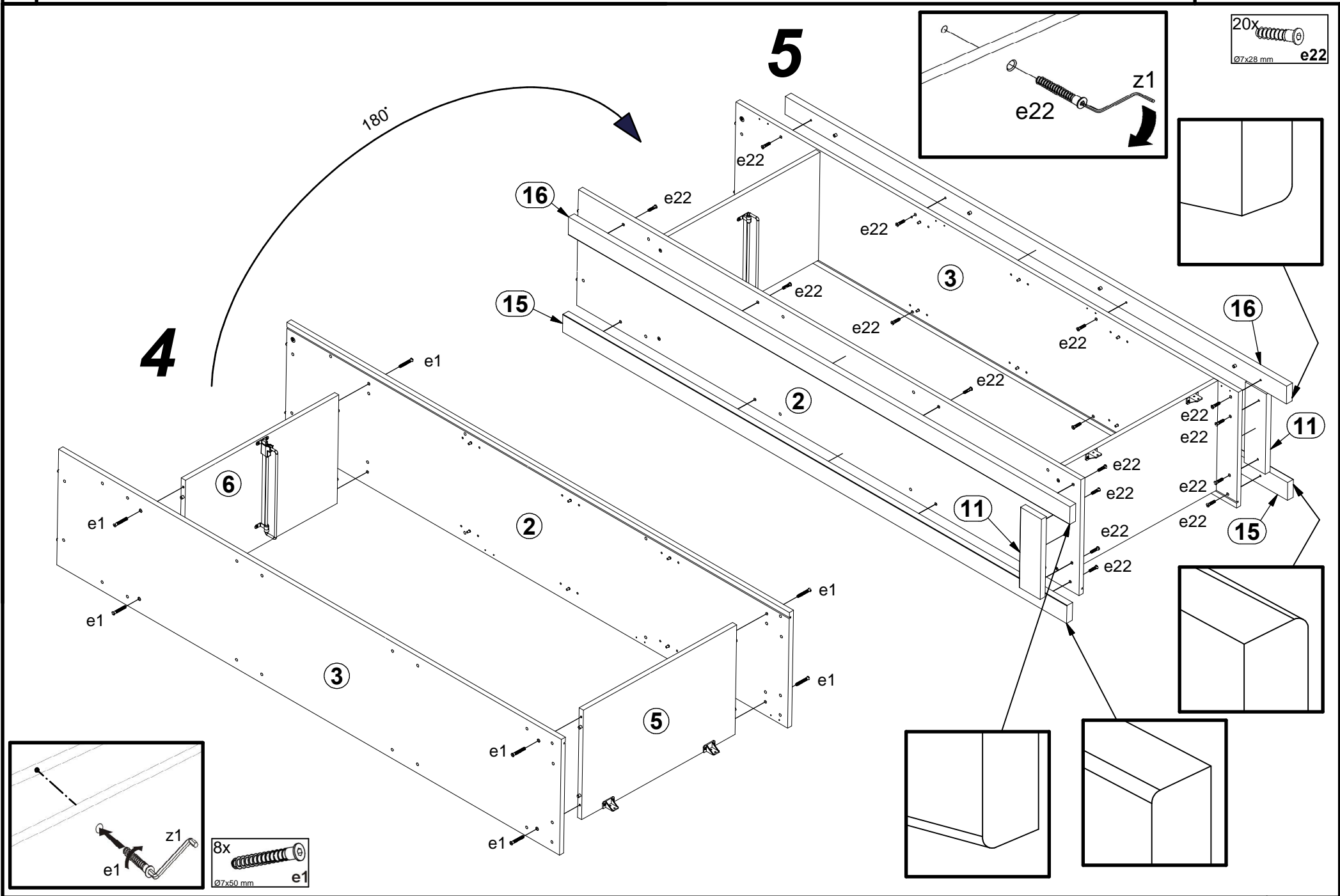


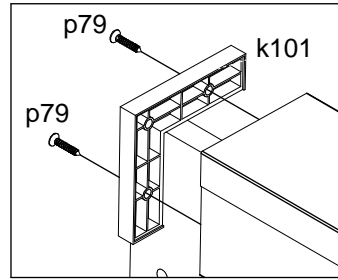
4



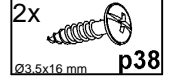
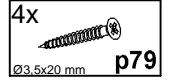
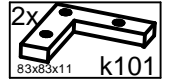
3



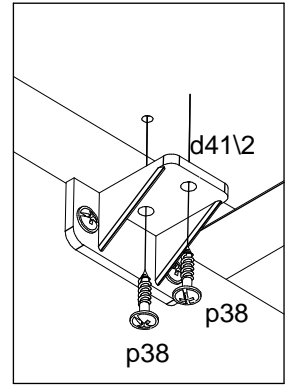
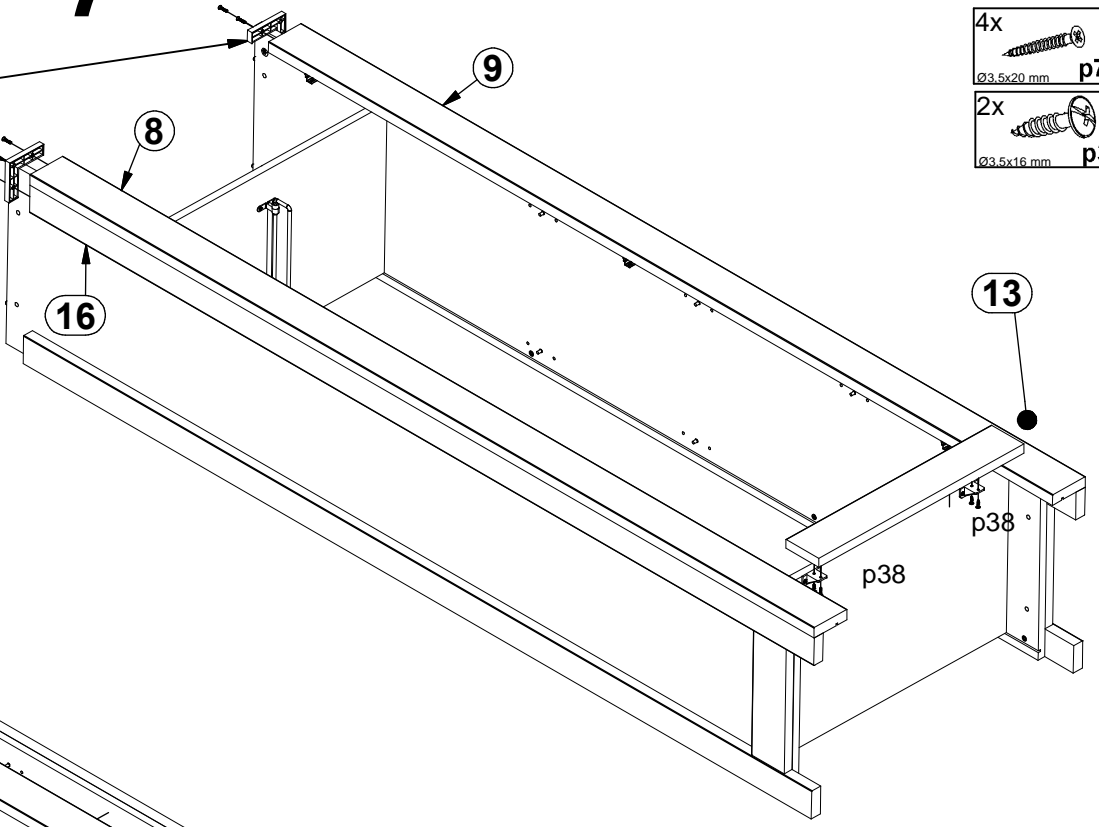
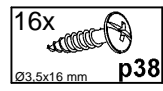
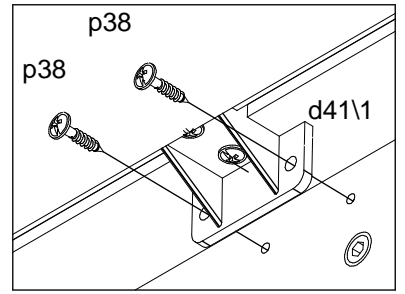
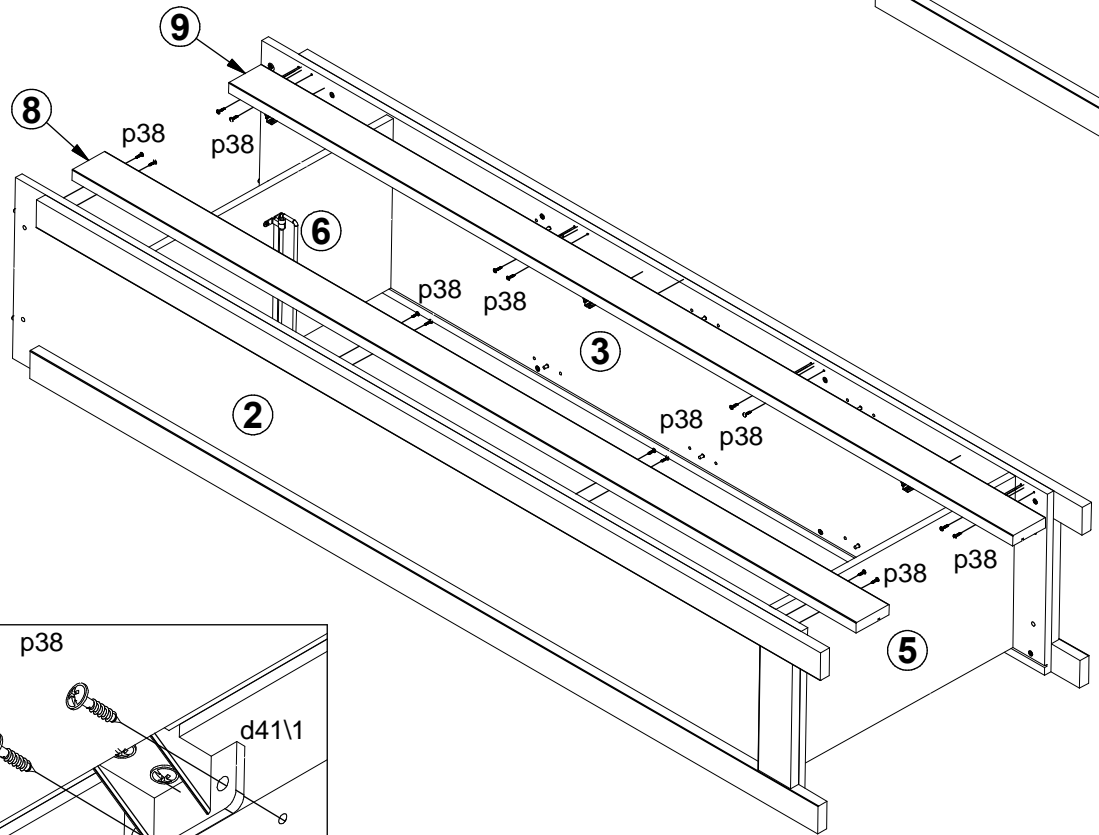


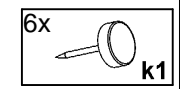
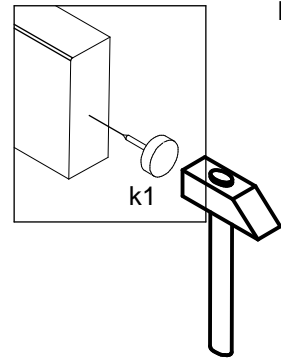
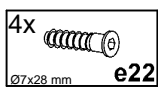
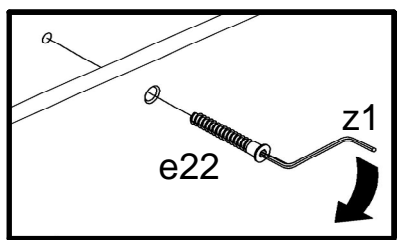
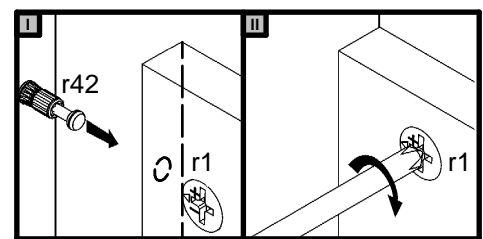
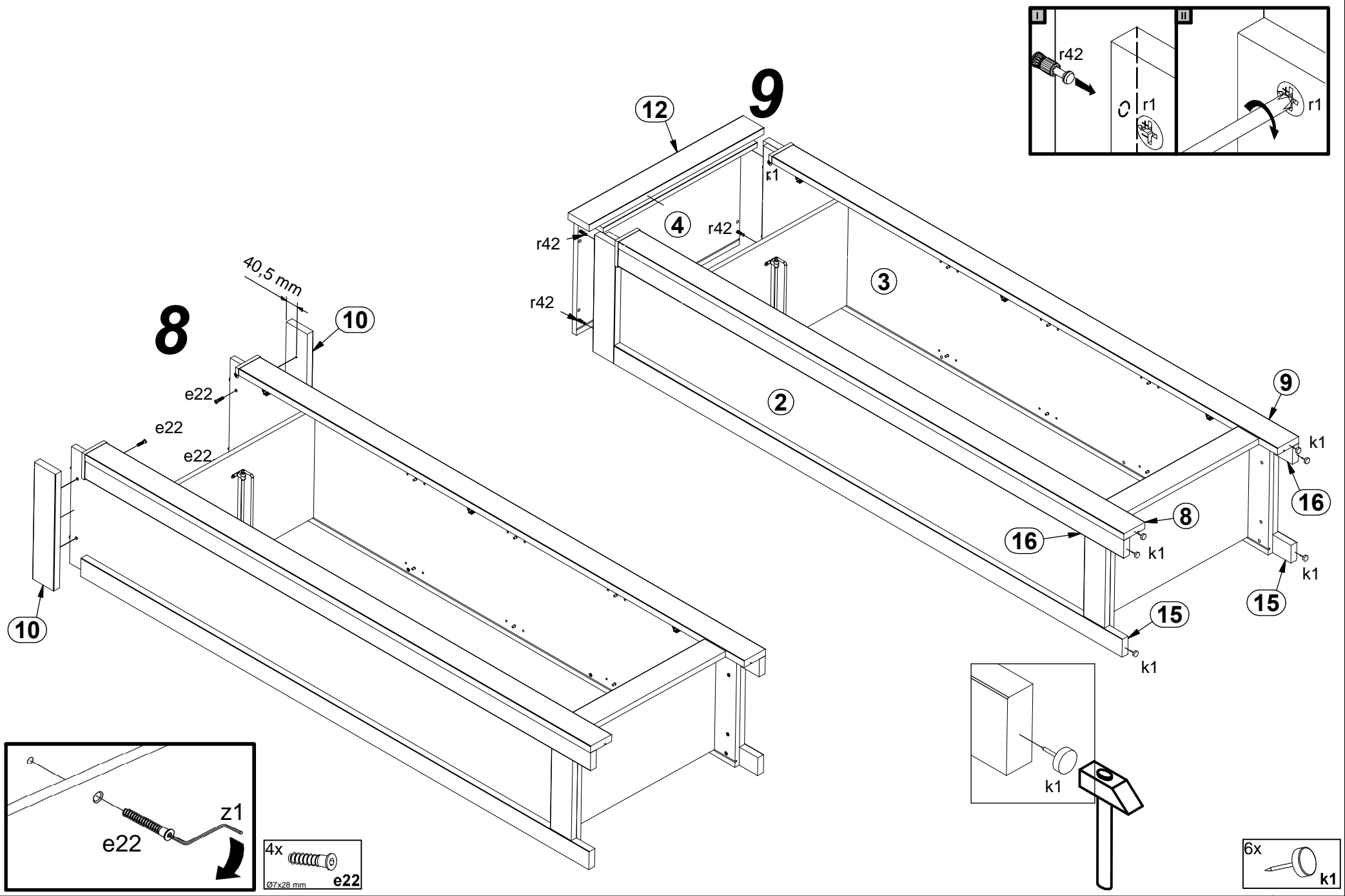


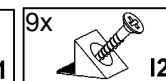
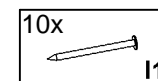
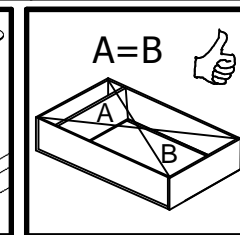
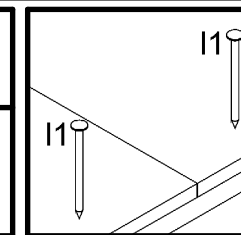
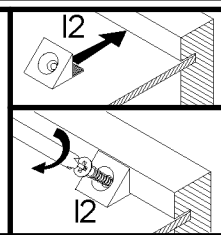
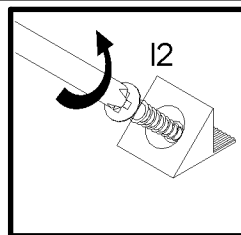
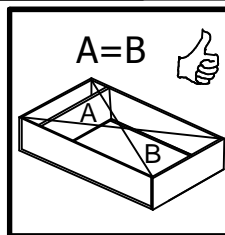
7



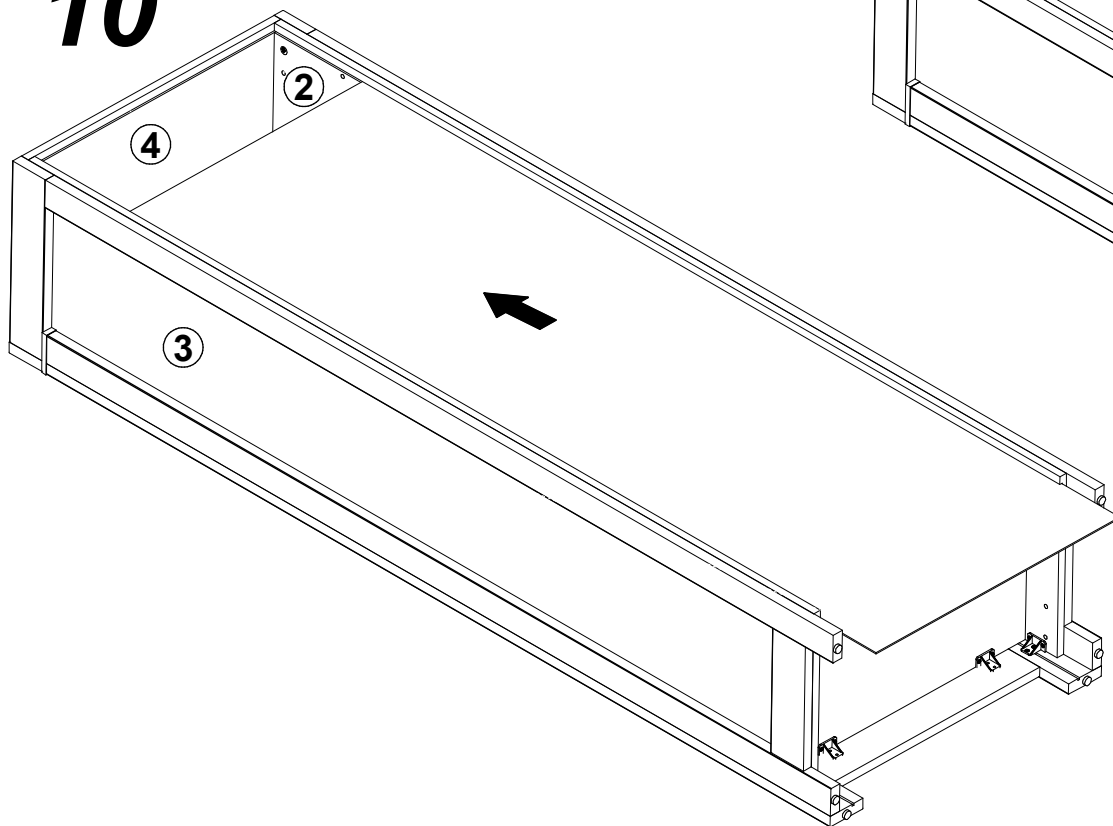
6



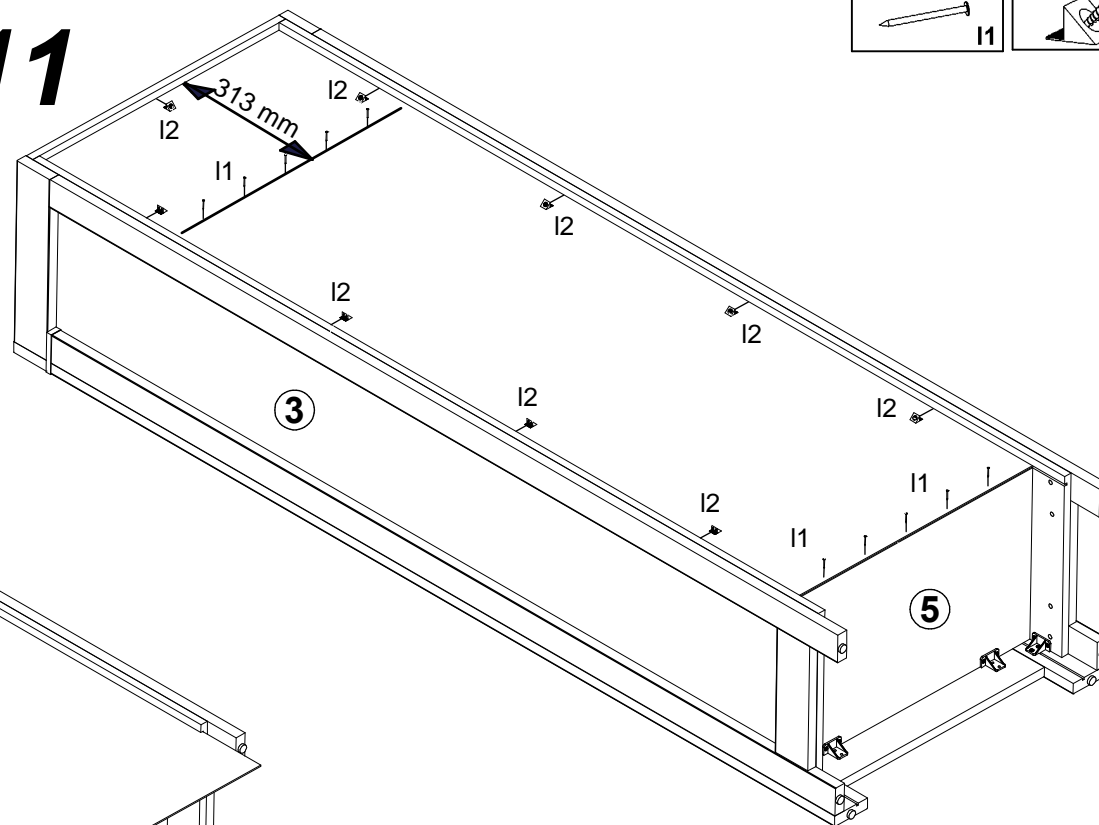




10

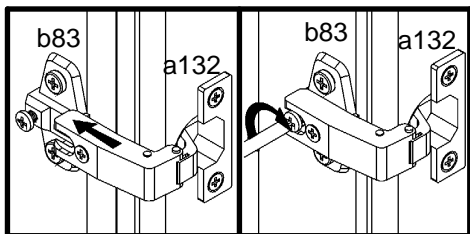


11

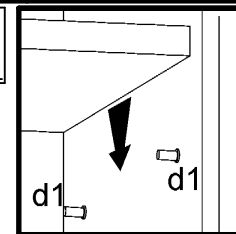
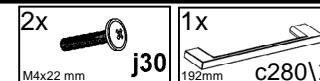


A

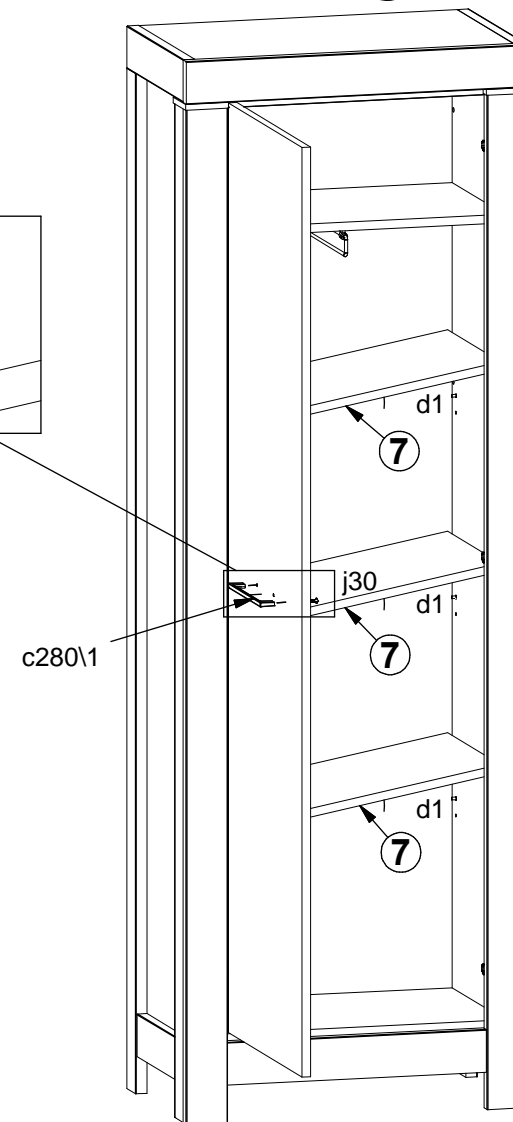
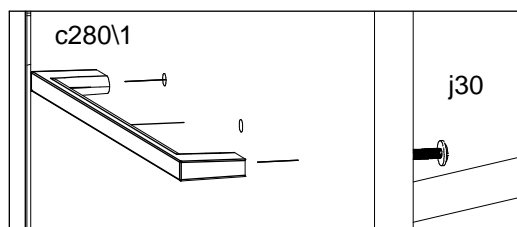
M244-REG1D/20/7



12



13



14

