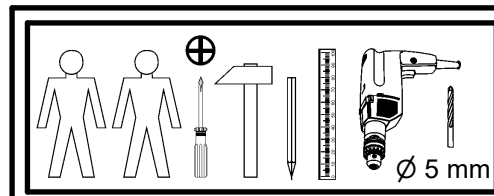
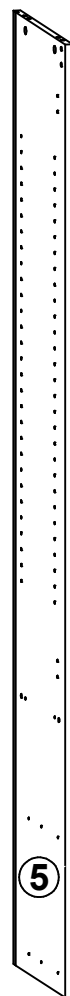
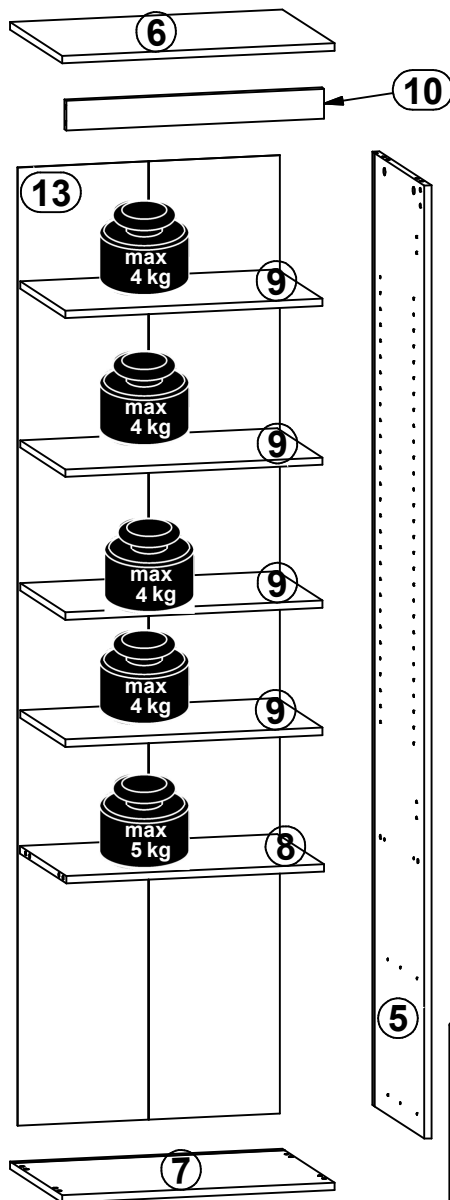
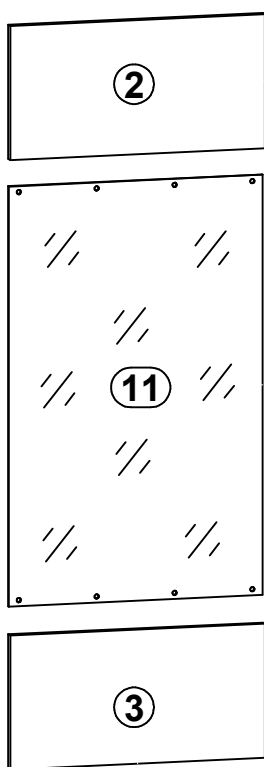
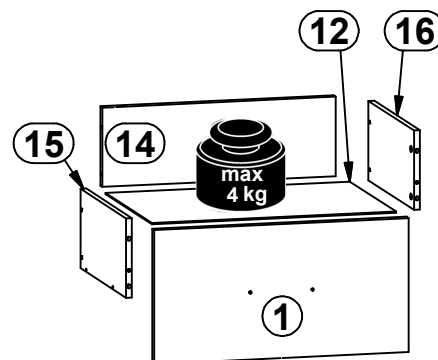
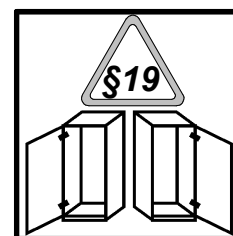
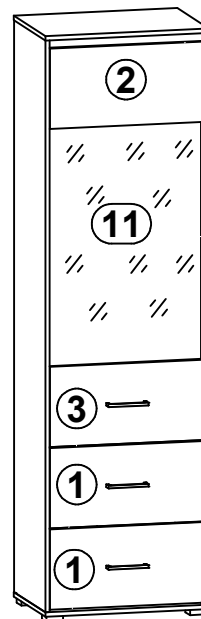
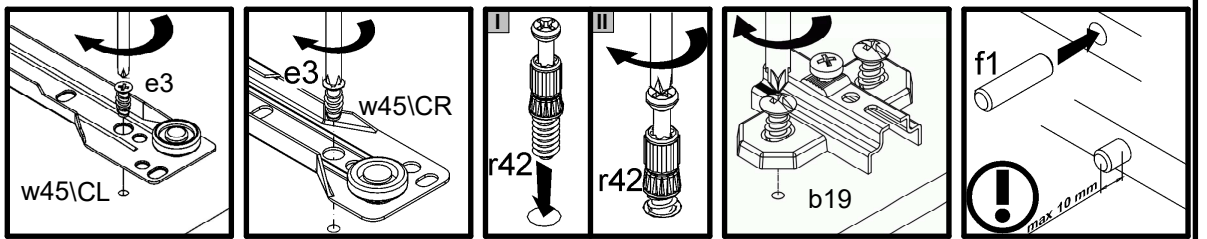
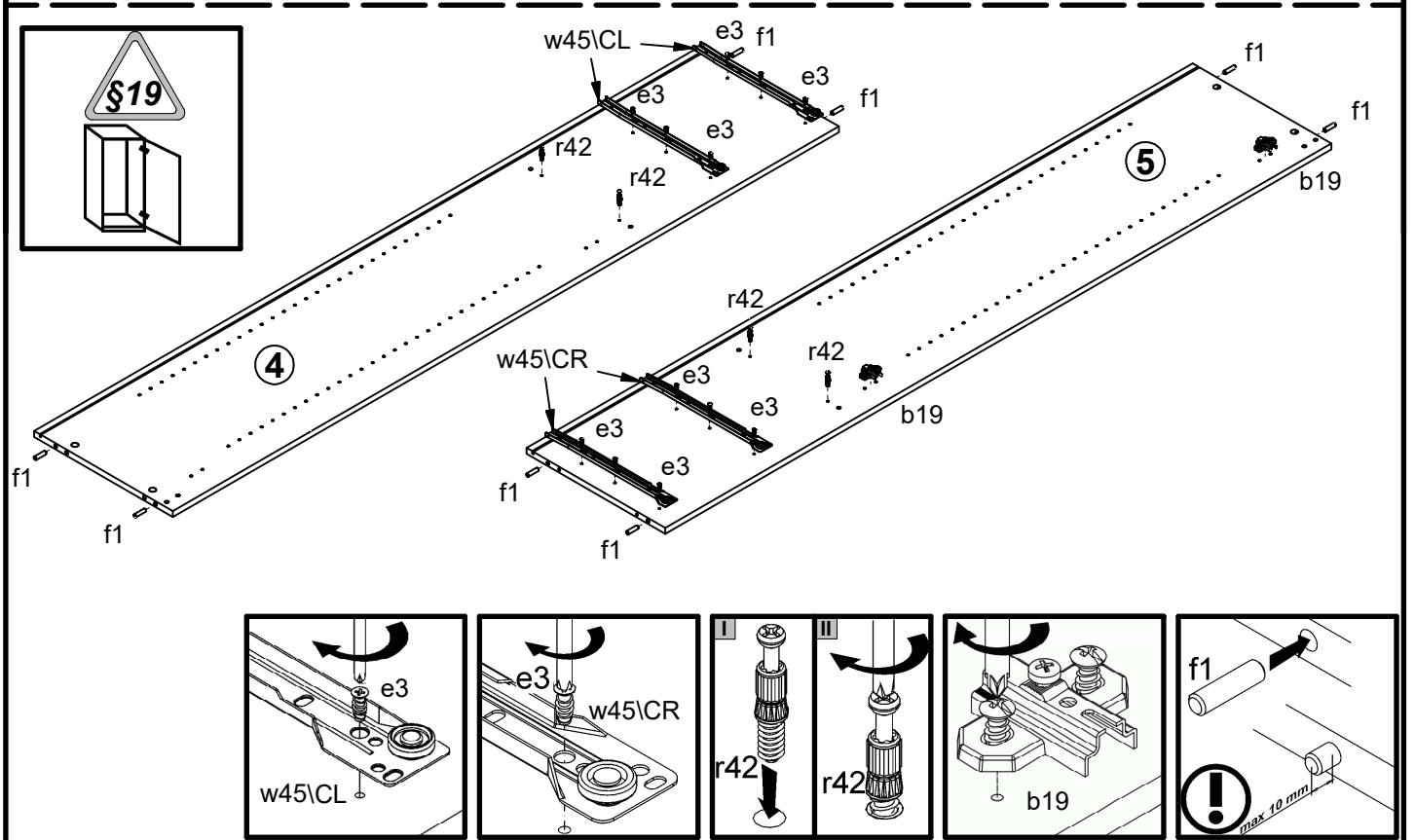
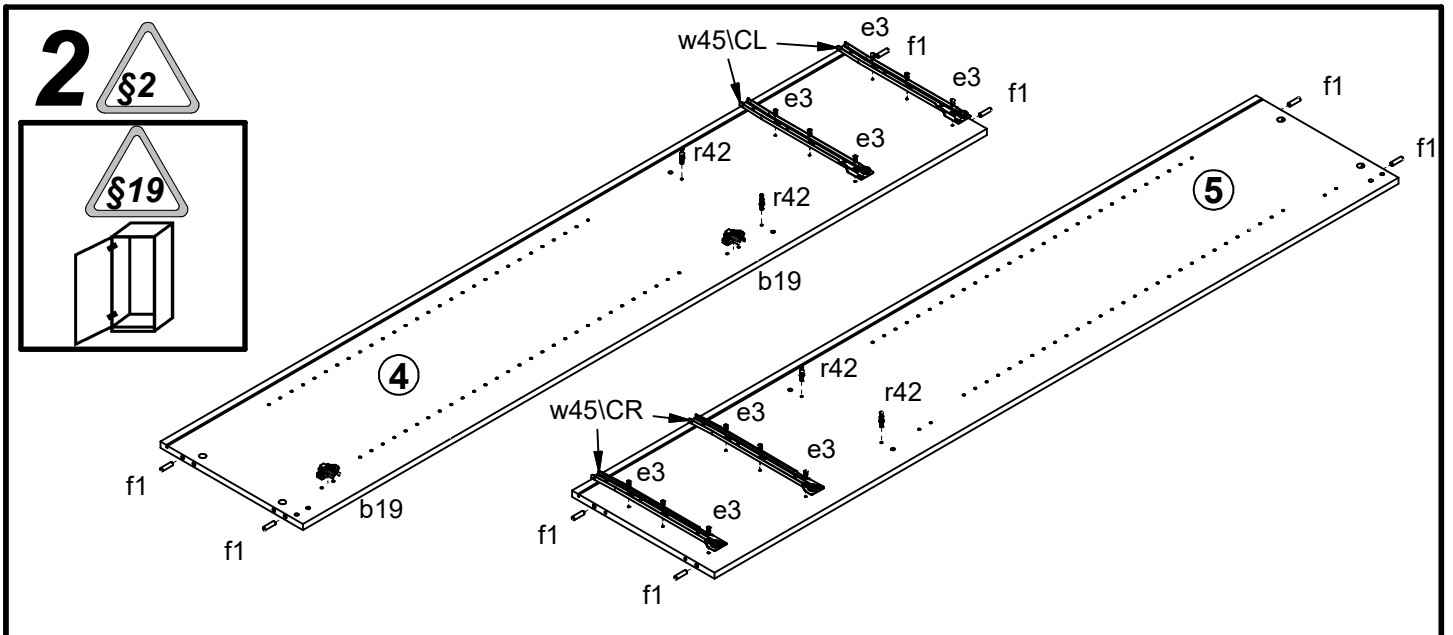
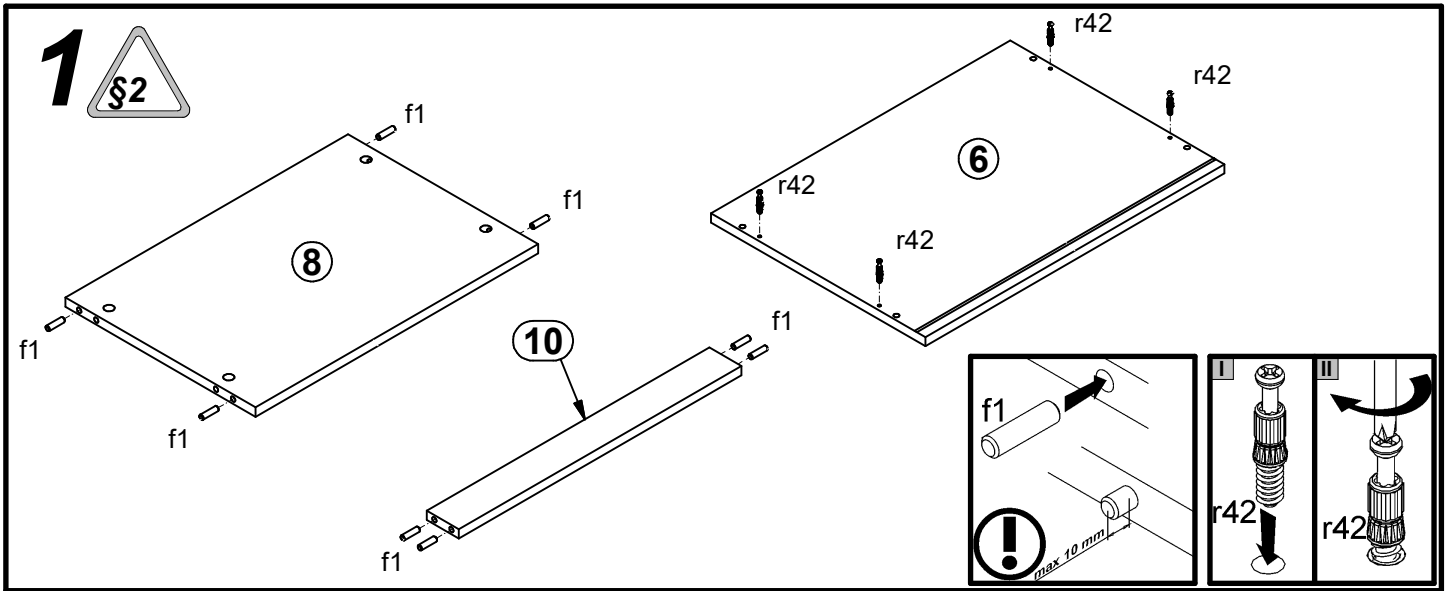


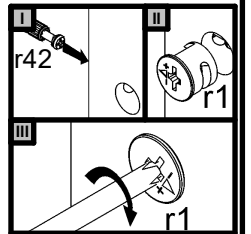
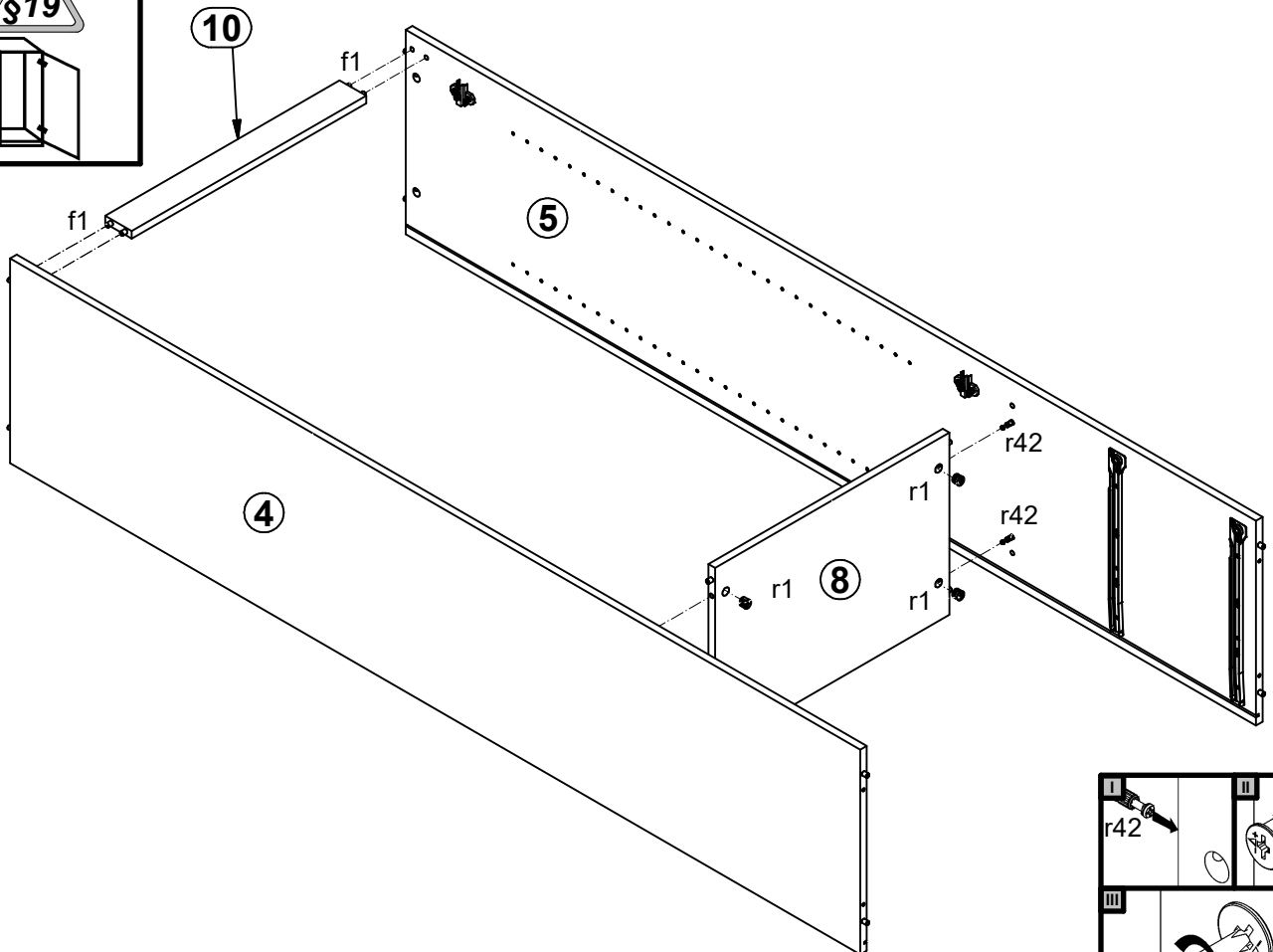
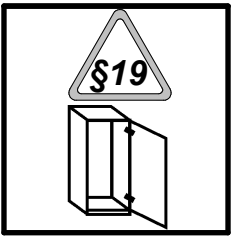
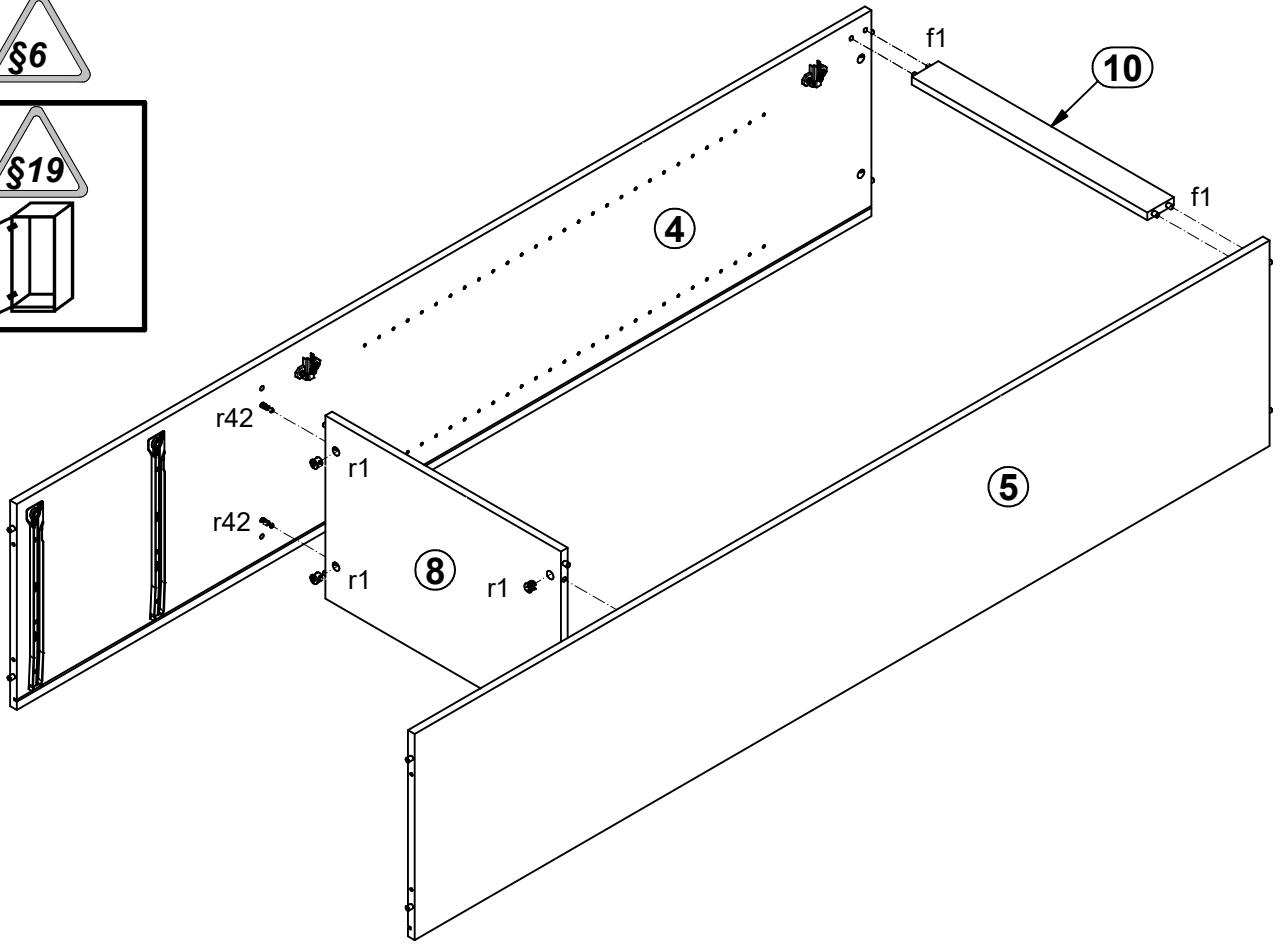
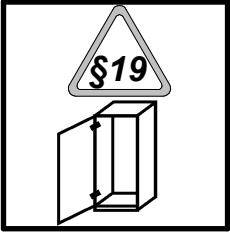
A	B	C	D	
1	S399-0007	523	270	1/2
2	S399-0008	523	270	1/2
3	S399-0009	523	270	1/2
4	S399-1009	1920	400	2/2
5	S399-1010	1920	400	2/2
6	S399-2005	560	401	1/2
7	S399-2006	560	401	1/2
8	S399-3004	529	356	1/2
9	S399-3005	528	346	1/2
10	S399-4002	529	60	1/2
11	S399-5001	846	522	1/2
12	S399-9004	502	355	1/2
13	S399-9302	1930	539	2/2
14	ZS3-5710	480	160	1/2
15	ZS4-537	350	160	1/2
16	ZS4-538	350	160	1/2



2x K16 a43	2x b19	3x 128mm c405	8x Ø5x17 mm d1	8x d39	4x Ø7x50 mm e1	20x Ø6x13 mm e3	8x Ø5x9 mm e19	8x Ø5x16 mm e47
16x Ø8x30 mm f1	4x Ø6x30 mm f9	8x Ø6,5x40 mm f25	1x Ø10x50 mm f35	4x k82/1	4x k82/2	10x l1	16x l2	1x 80x115/1,5 n14/2
2x silikon o21	8x Ø5,3/Ø6,3x4,8 mm o54	8x Ø2,5x13 mm p15	1x Ø5x60 mm p17	8x Ø3,5x16 mm p38	4x Ø3,5x15 mm p51	6x Ø4x25 mm p87	8x Ø15x12 mm #16 r1	8x Ø12x10,5 mm #12 r15
16x 20/11 r42	2x 350 mm w45 CL	2x 350 mm w45 CR	2x 350 mm w45 DL	2x 350 mm w45 DR	4x Ø16 s2	1x 4 mm z1		

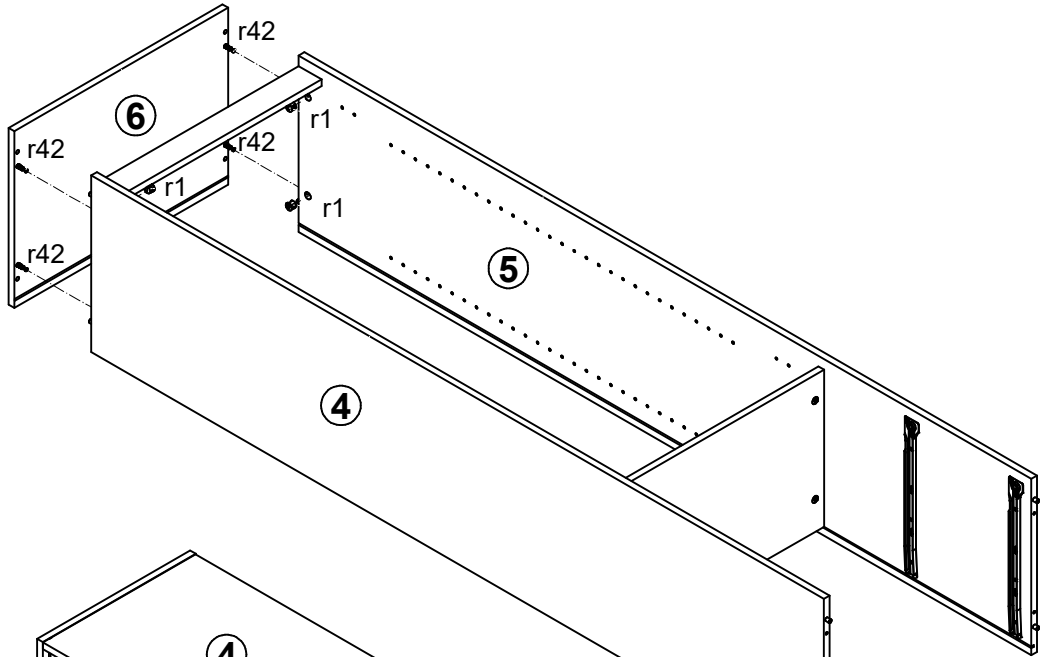


3 §6

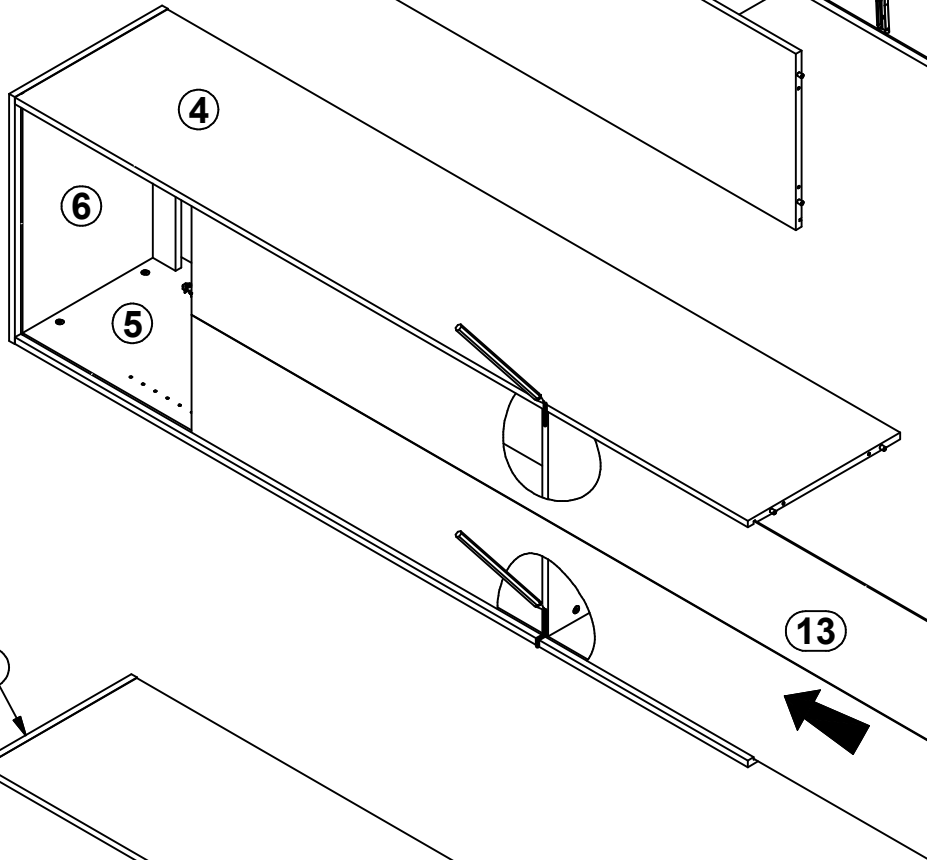


4

I



II



III

