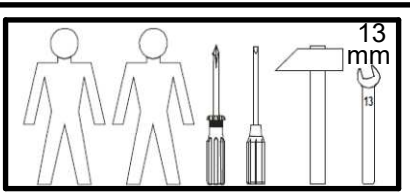
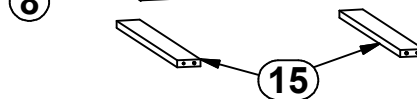
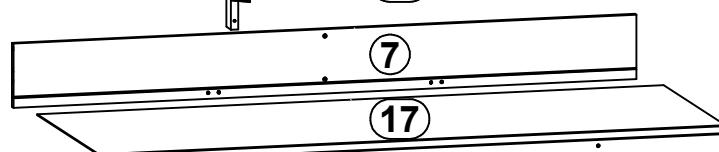
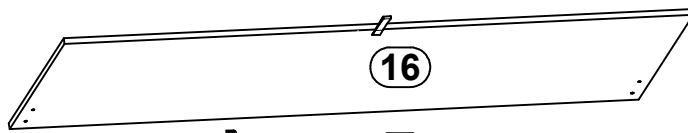
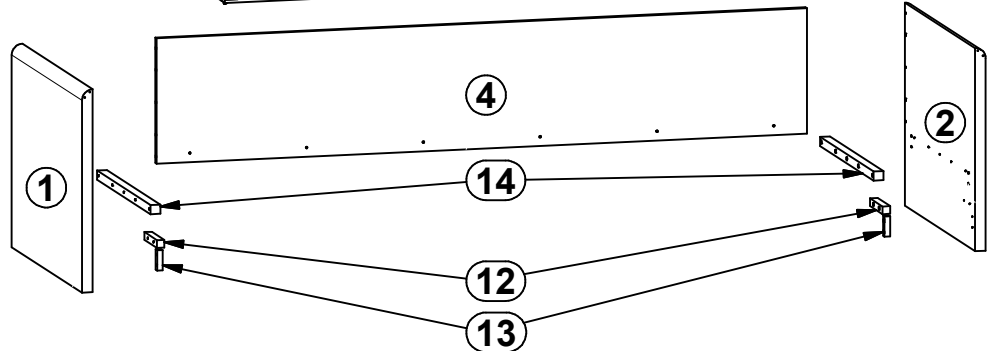
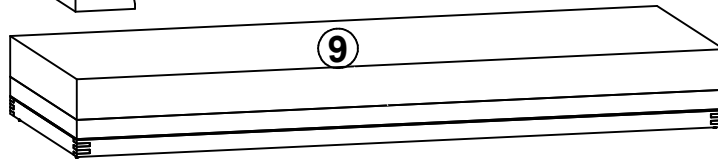
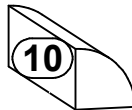
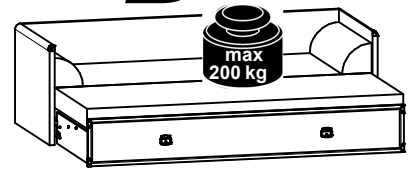
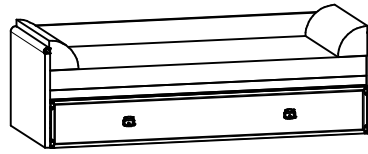


A	B	C	D	
1	S31-034 A	790	600	1/4
2	S31-035 A	790	600	1/4
3	S31-036 A	1948	285	4/4
4	S31-413	1960	370	2/4
5	S31-414 B	767	190	2/4
6	S31-415 B	767	190	2/4
7	S31-416 B	1878	190	2/4
8	S31-417 A	1878	190	2/4
9	S31-422	1950	1500	1/2
10	S31-456	750	180	2/2
11	ZZ1-402	198	52	3/4
12	ZZ1-403	140	23	3/4
13	ZZ1-405	60	17	3/4
14	ZZ1-406	600	27	3/4
15	ZZ1-407	684	70	3/4
16	ZZ1-408	1896	712	3/4
17	ZZ1-903	1888	694	3/4



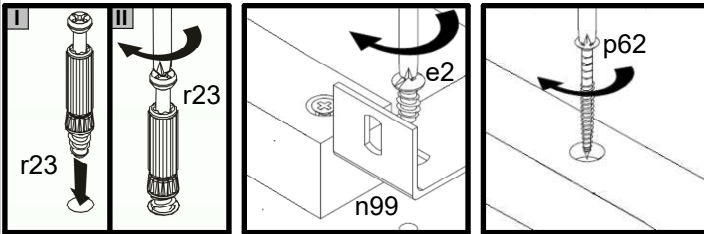
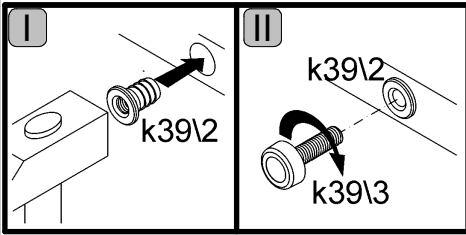
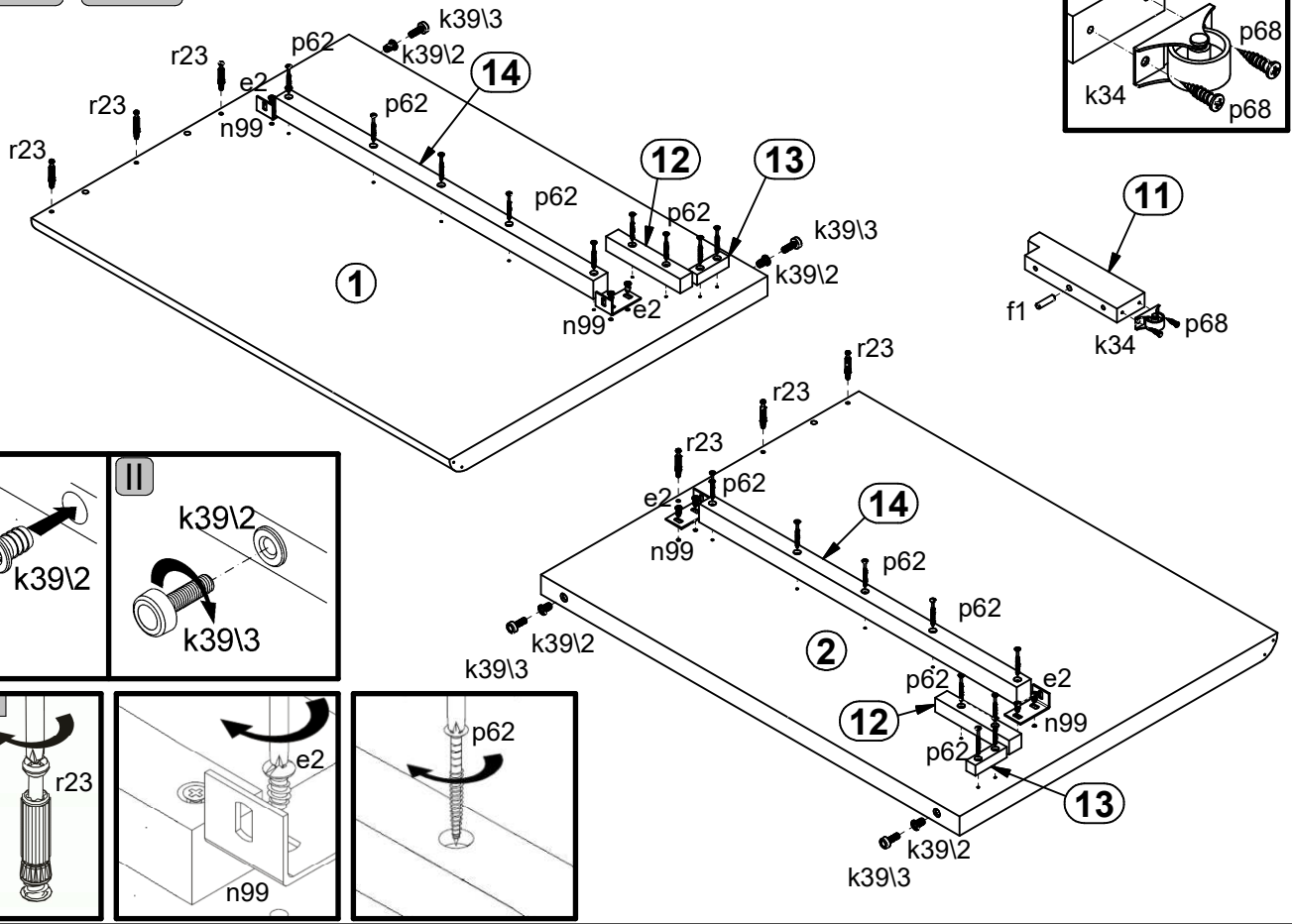
A

B

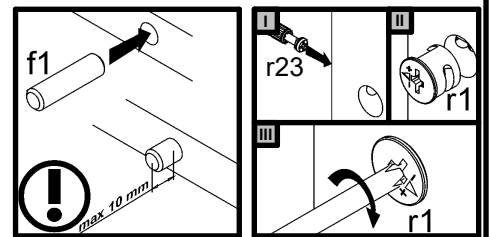
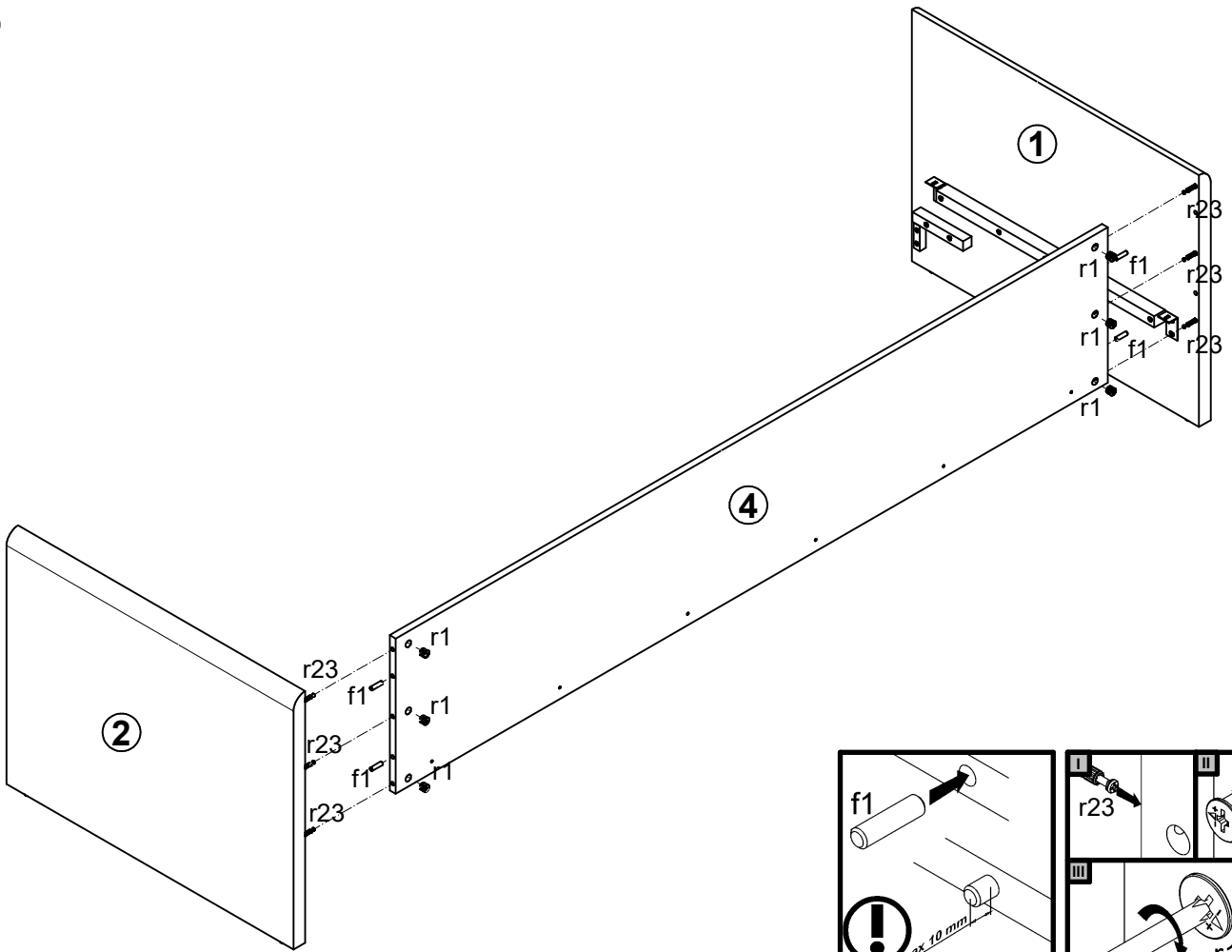


2x  c158	14x  Ø7x50 mm e1	16x  Ø6,3x13 mm e2	8x  Ø7x28 mm e22	17x  Ø8x30 mm f1	4x  M6x30 mm j9	16x  M6 j10	4x  M4x22 mm j60	8x  M6x25 mm j96
1x  k34	4x  M6/Ø14x14 mm k3912	4x  M6/22 mm k3913	4x  k44	2x  l27	2x  l28/L	2x  l28/P	2x  m28/1	1x  m28/L
1x  m28/P	4x  55x30x29/2 mm n99	2x  55x30x20/2 n100	4x  Ø22/Ø61,5 mm o6	12x  Ø6xØ12/11,4 mm o40	6x  Ø3,5x13 mm p1	24x  Ø4x45 mm p62	2x  Ø4x20 mm p68	12x  Ø3x12 mm p83
6x  Ø15x12 mm #16 r1	6x  30/11 r23	8x  s1	6x  Ø16 s2	1x  395 mm s7/L	1x  395 mm s7/P	1x  4 mm z1		

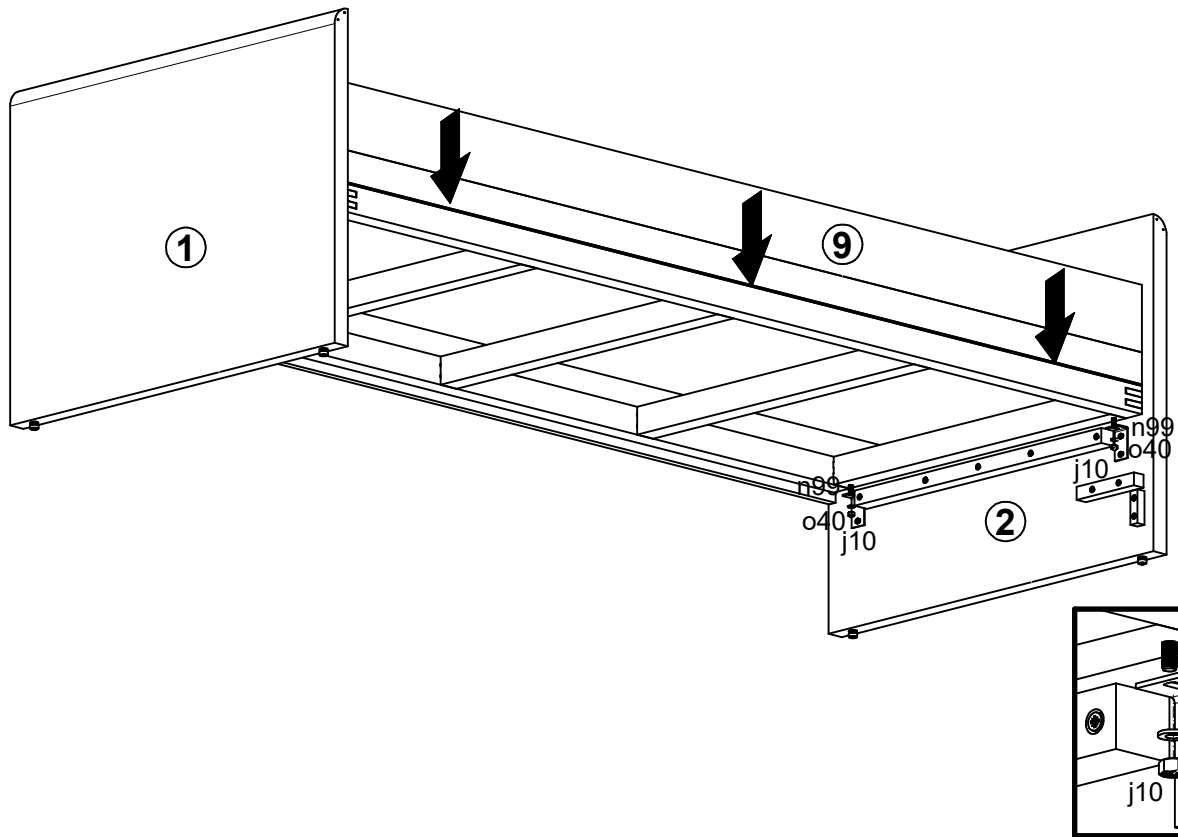
**1** §2 §6



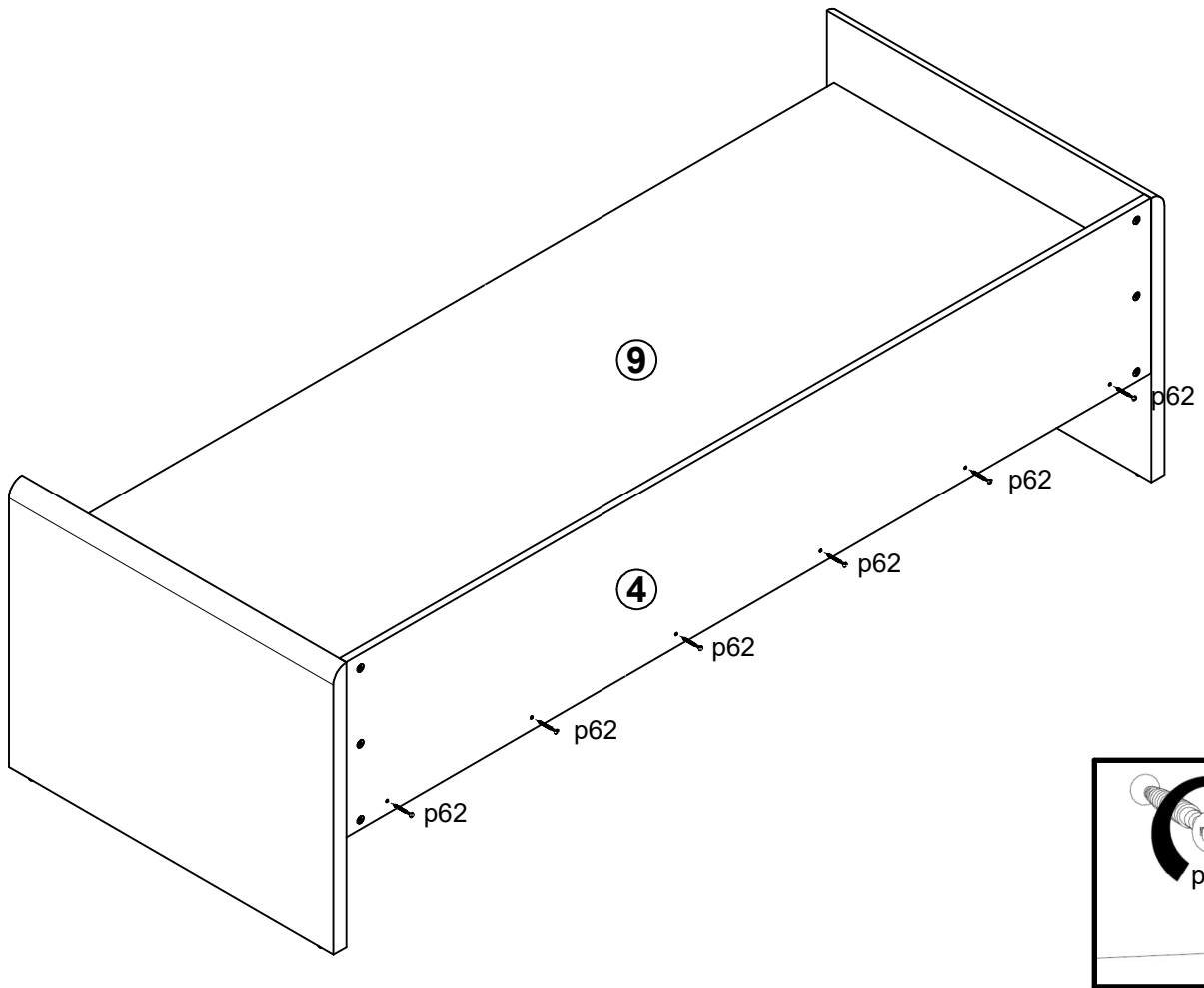
**2**



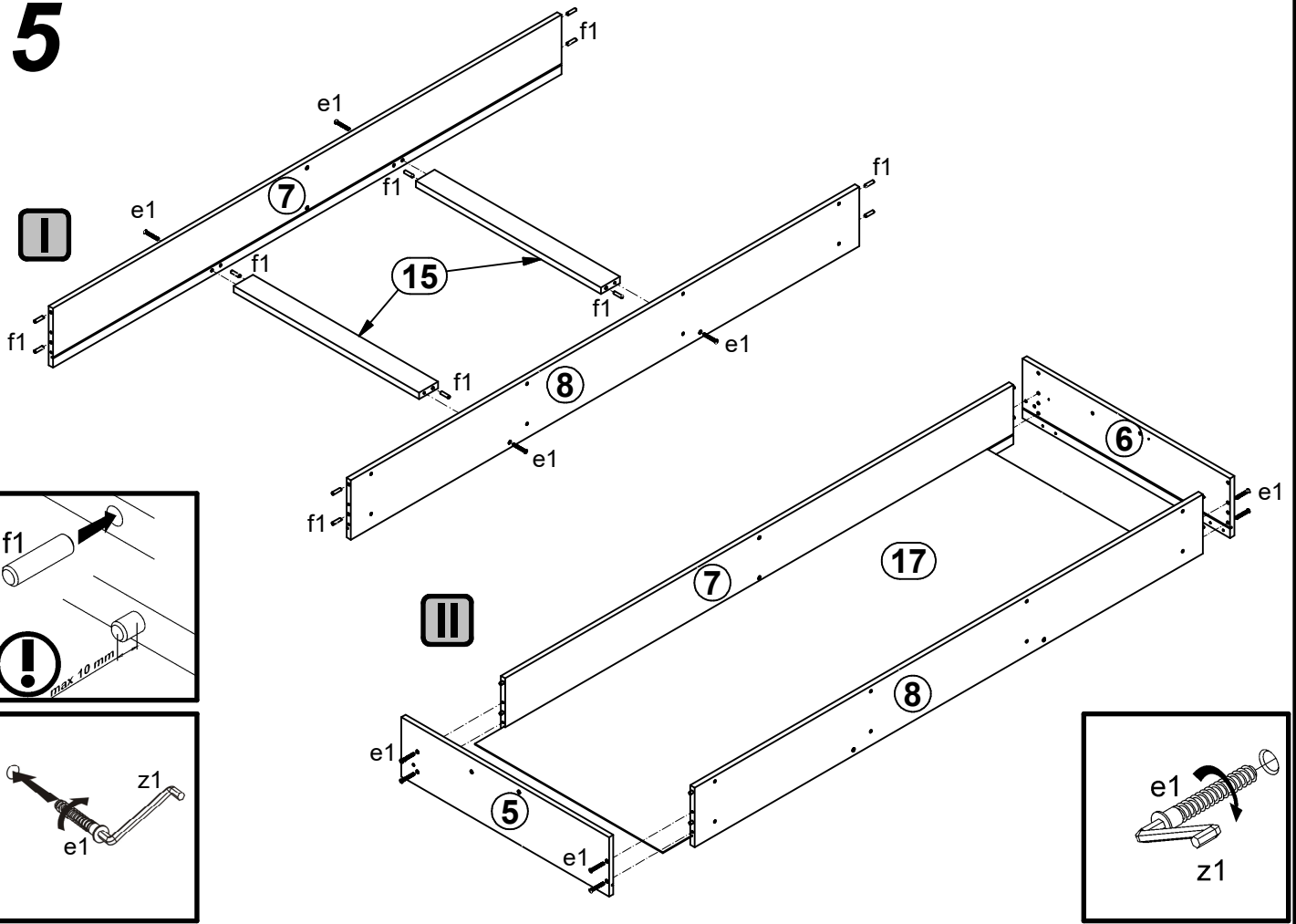
# 3



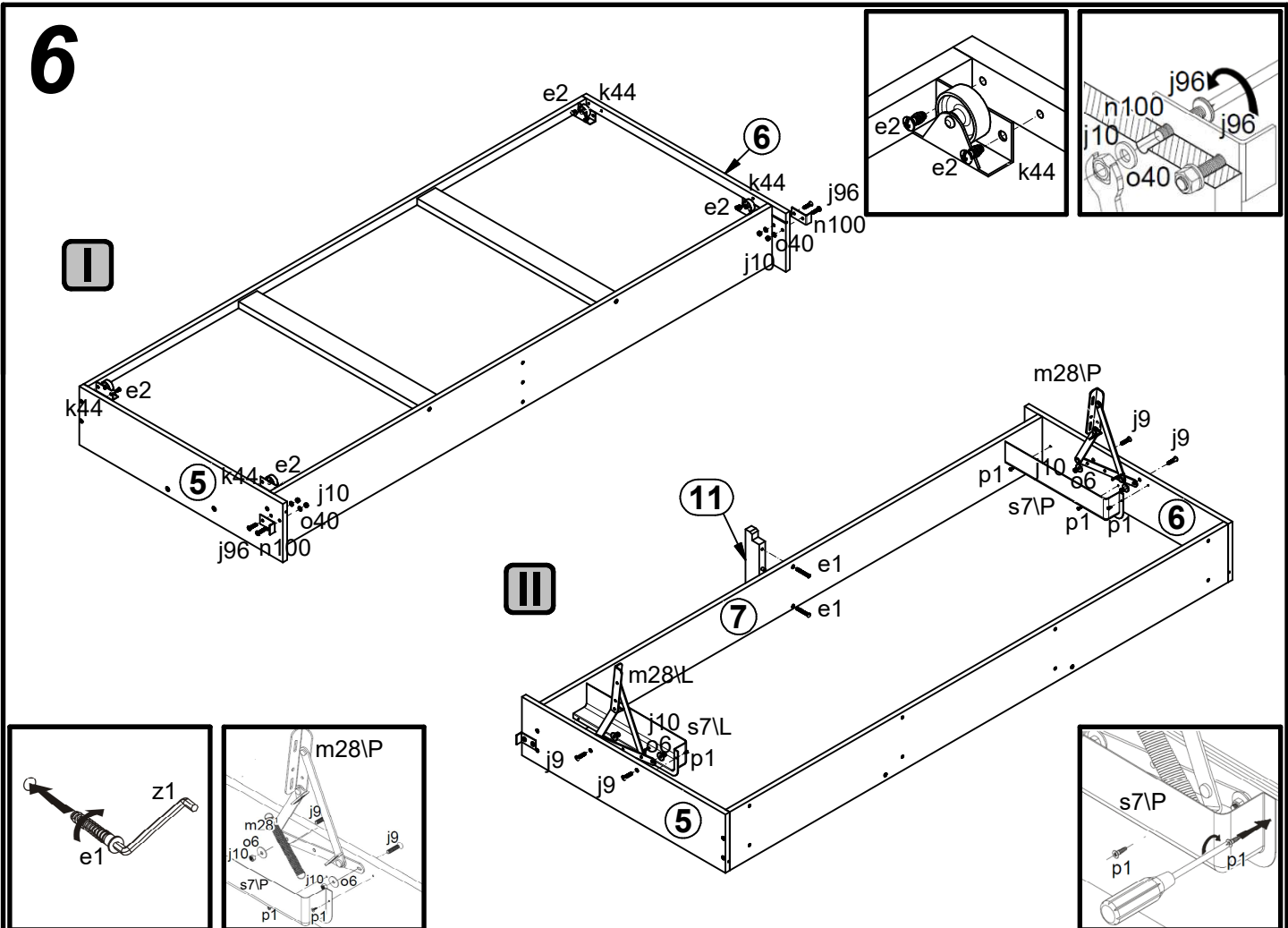
# 4



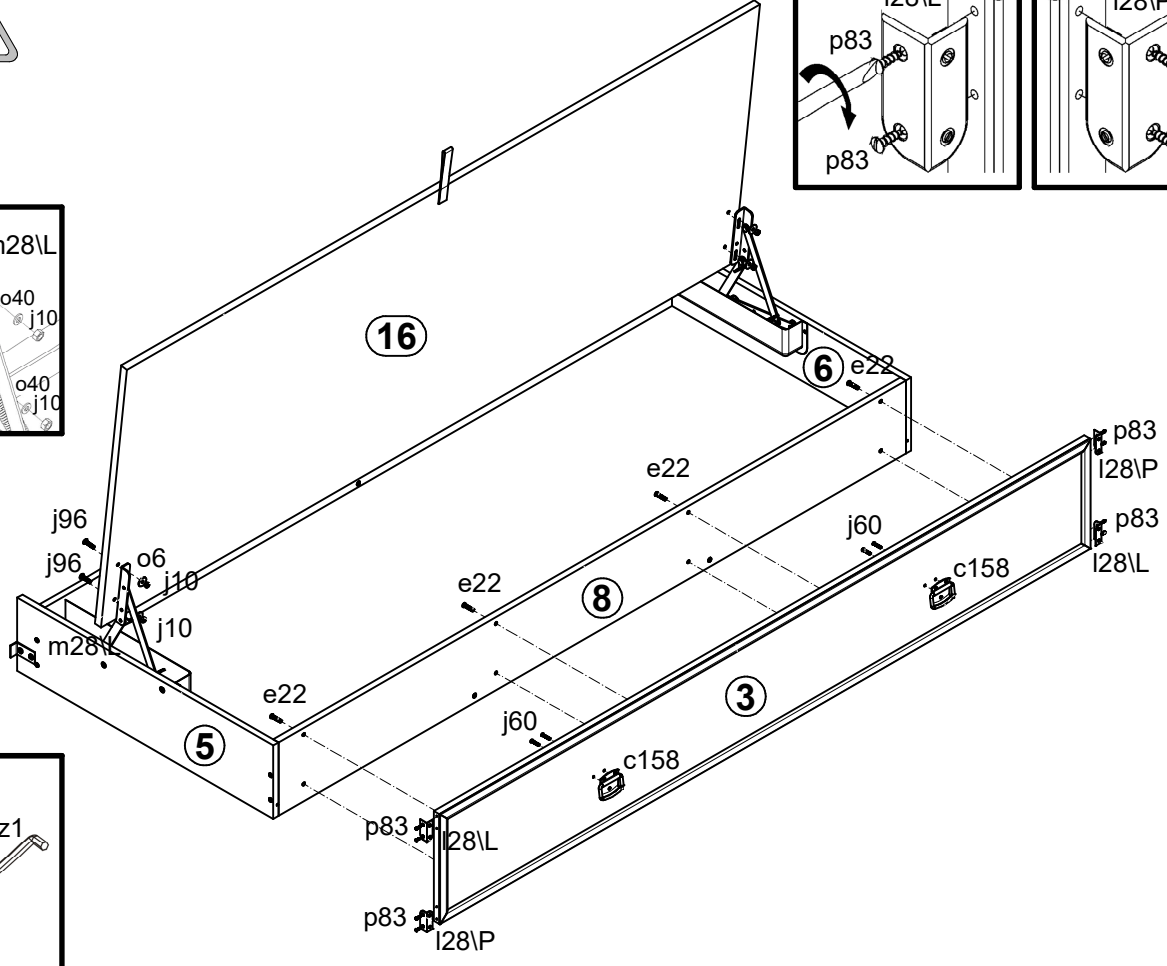
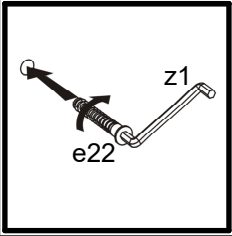
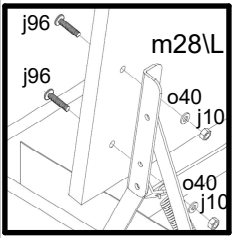
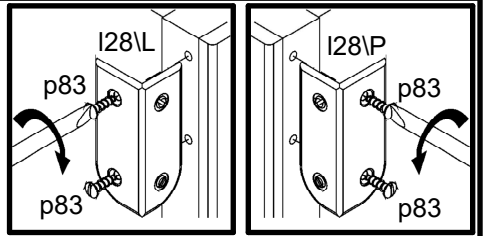
# 5



# 6



# 7



# 8

