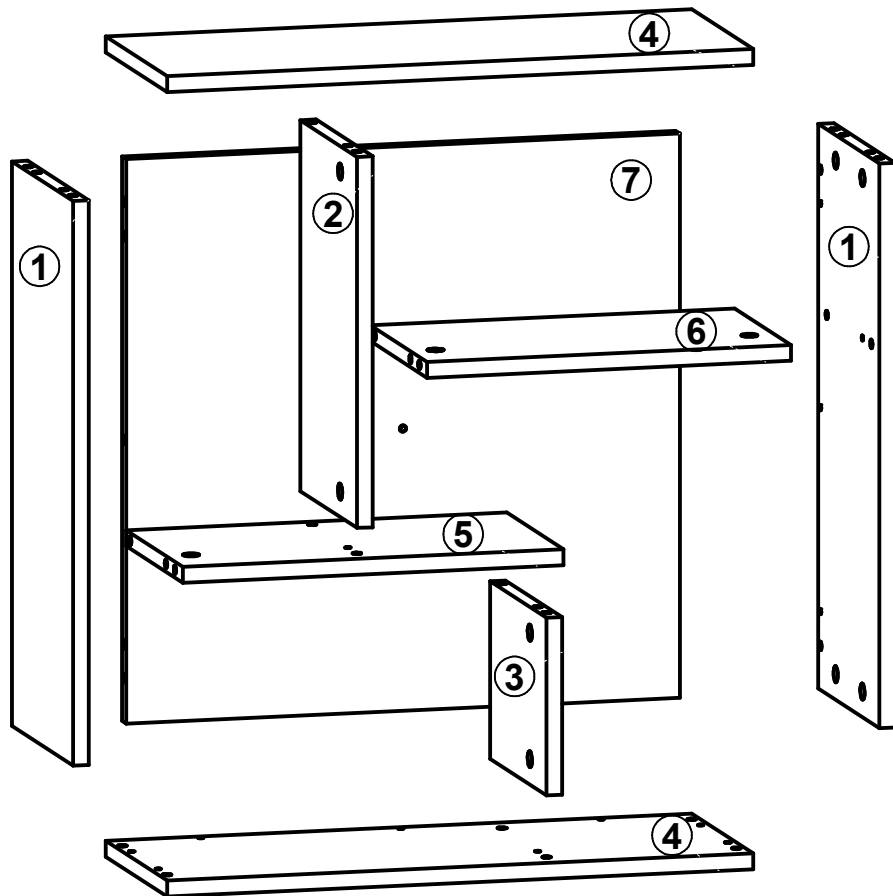
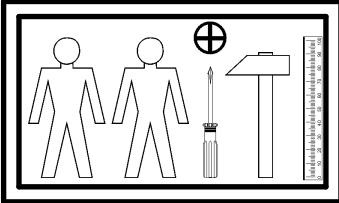


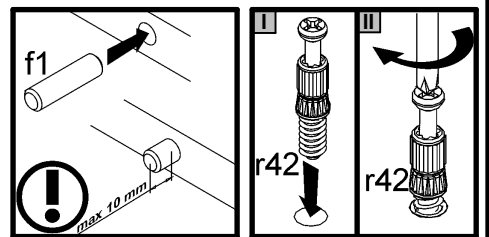
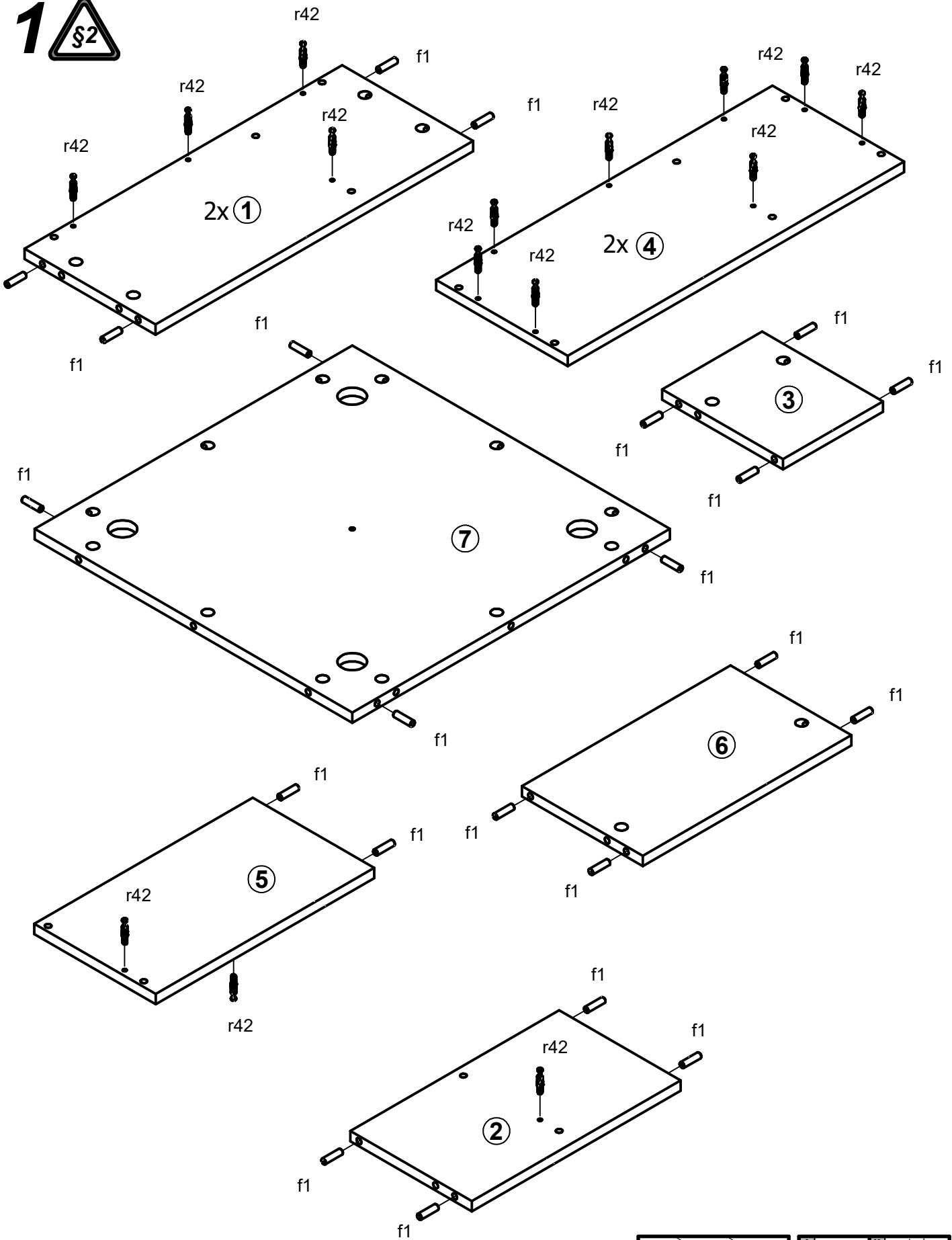
**A****NANDU****S441-POL/50**

A	B	C	D
1	S441-1014	531	219
2	S441-1015	349	203
3	S441-1016	167	202
4	S441-2005	562	220
5	S441-3011	365	203
6	S441-3012	349	202
7	S441-5007	531	531

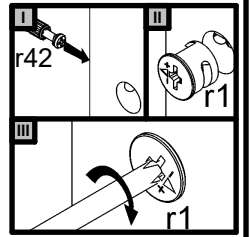
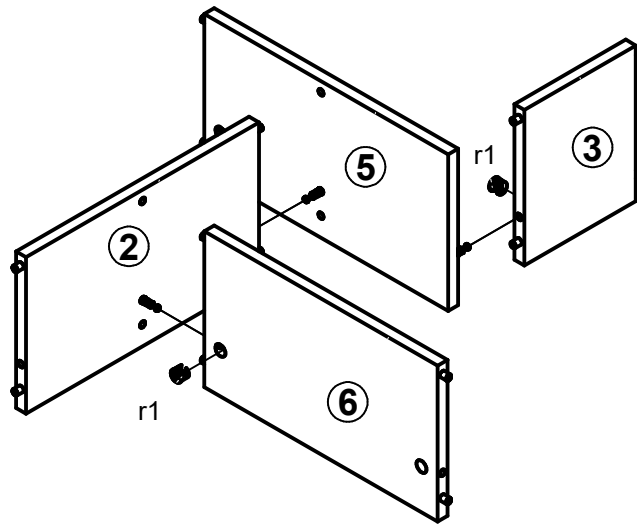


4x Ø5x11 mm <b>e4</b>	26x Ø8x30 mm <b>f1</b>	2x Ø10x50 mm <b>f35</b>	1x Ø6x30 mm <b>f50</b>	2x  <b>g2</b>	1x Ø4x45 mm <b>p62</b>	2x Ø6x60 mm <b>p75</b>	27x Ø15x12 mm #16 <b>r1</b>	27x 20/11 <b>r42</b>	
1x Ø14x0,5 mm <b>s59</b>	2x silikon <b>s60</b>	15x Ø20mm <b>s68</b>							

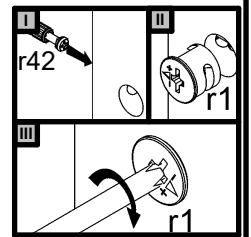
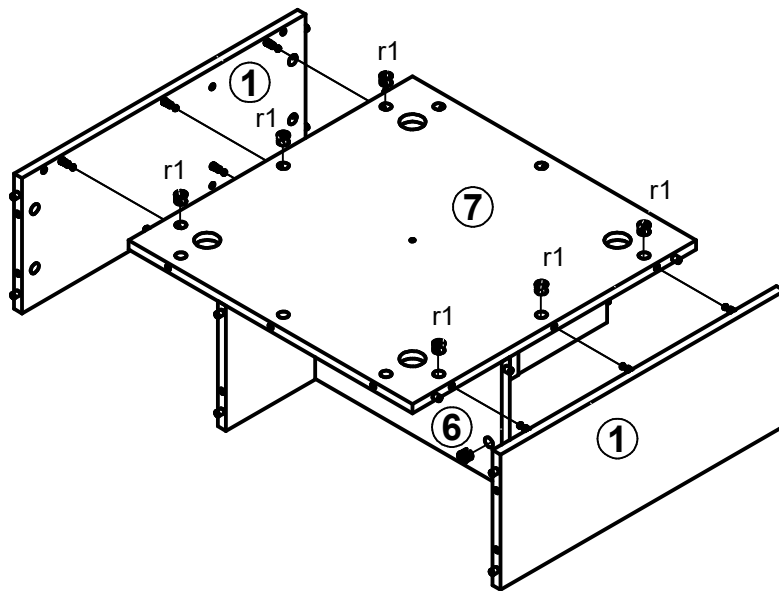
1 



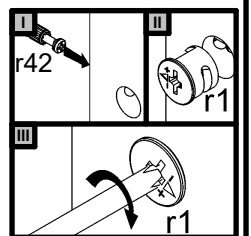
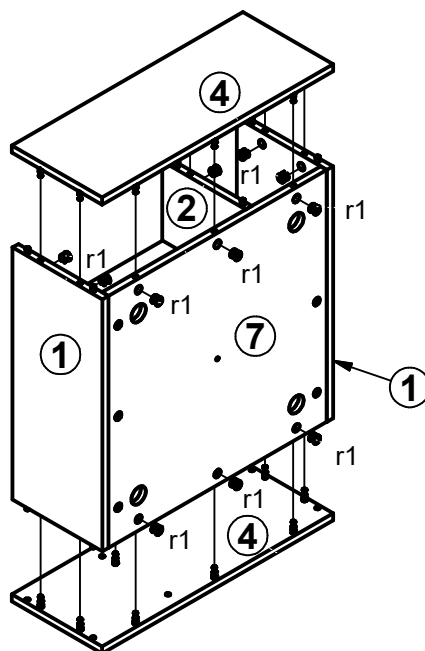
# 2



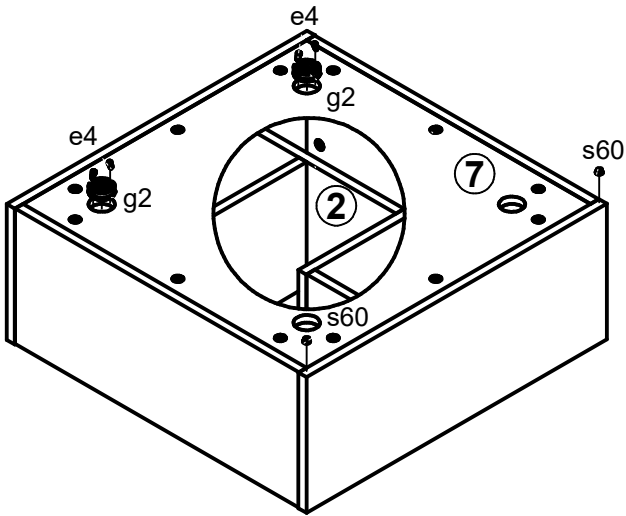
# 3



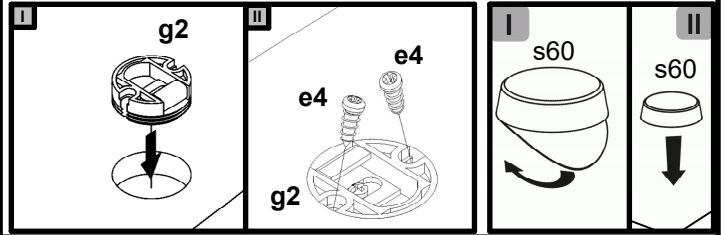
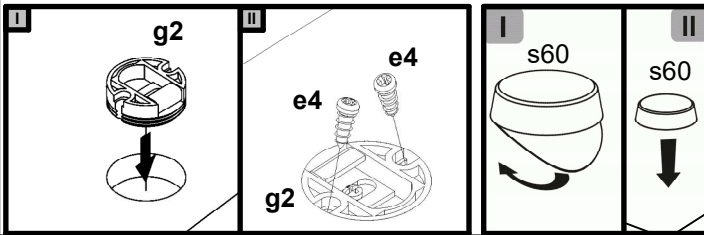
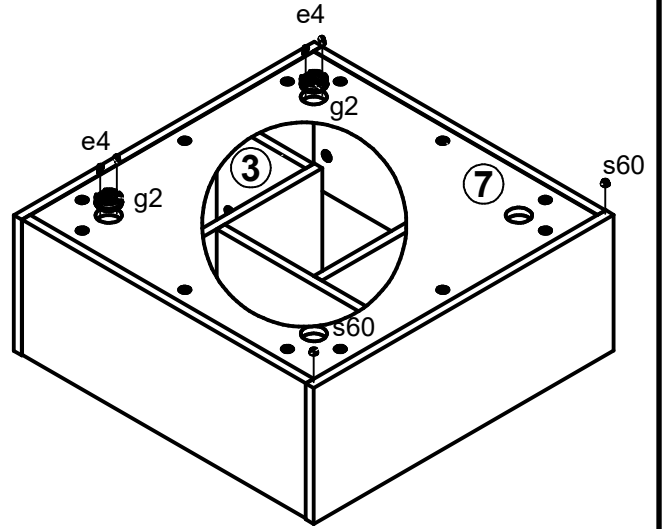
# 4



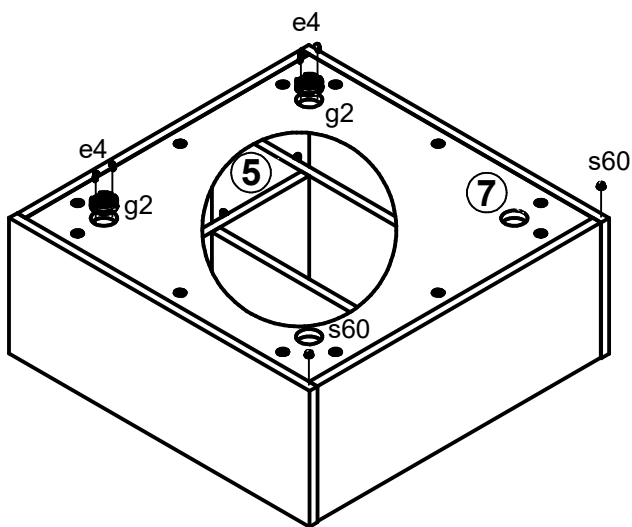
# 5A



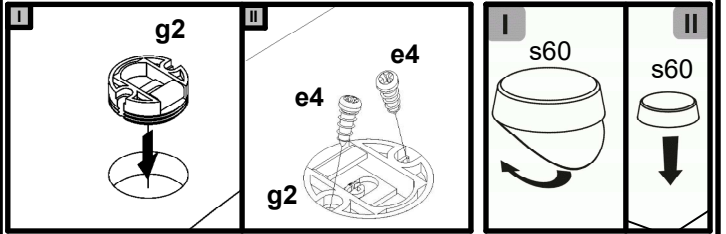
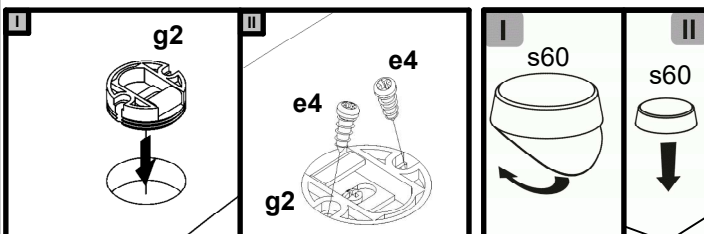
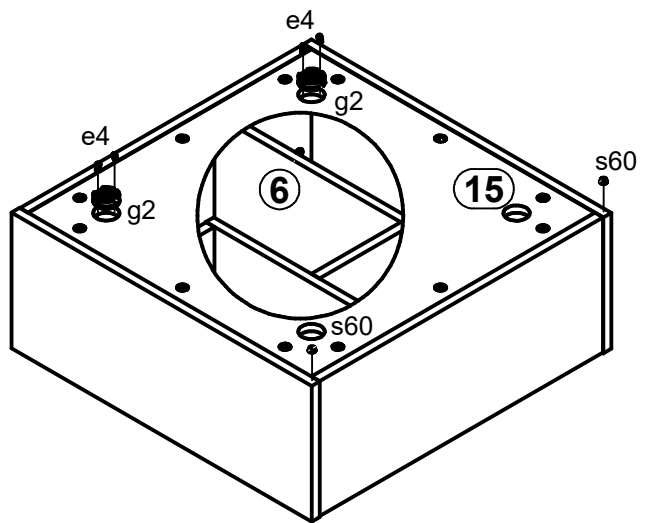
# 5C



# 5B



# 5D



# 6

