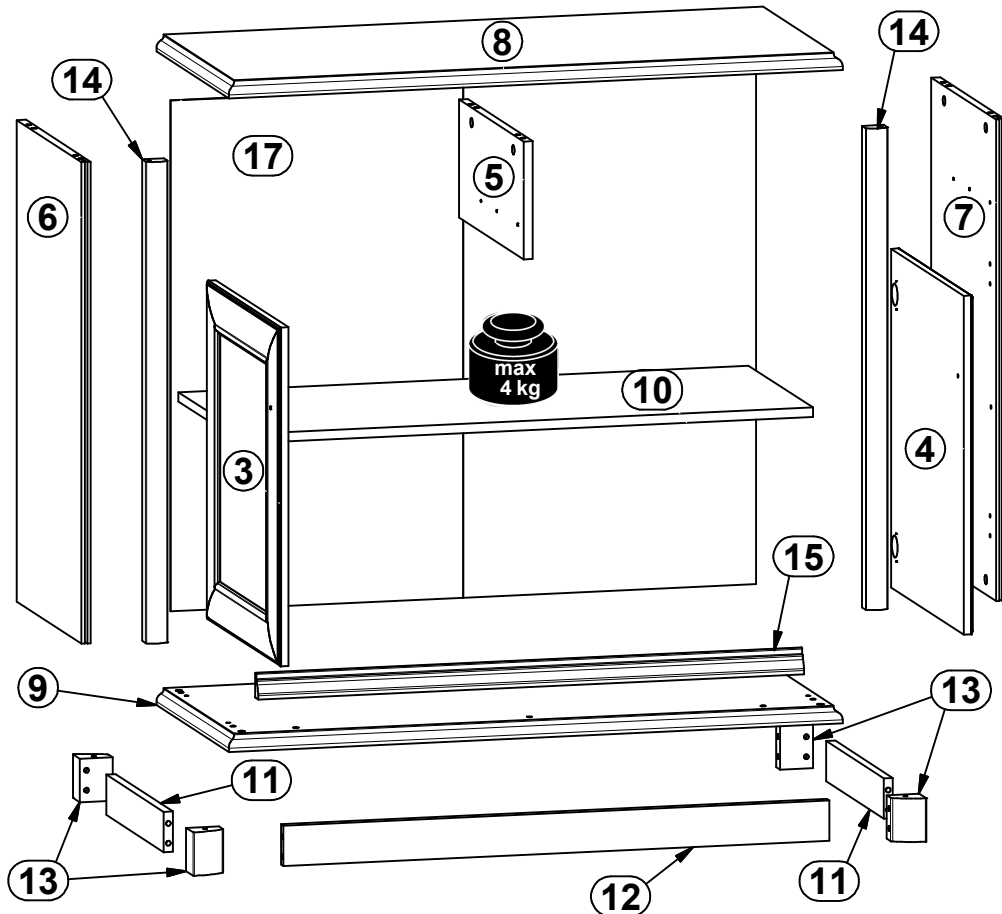
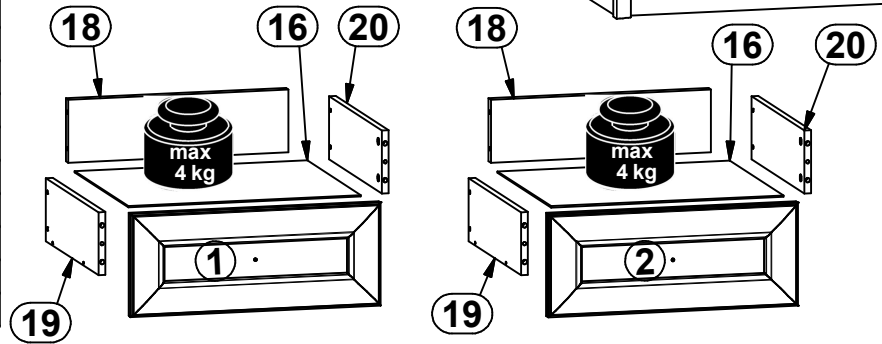
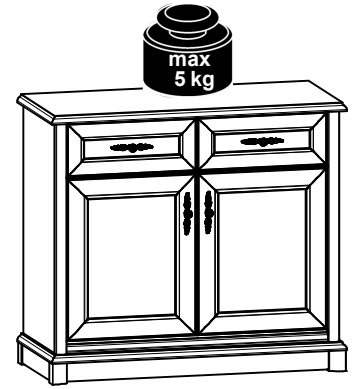
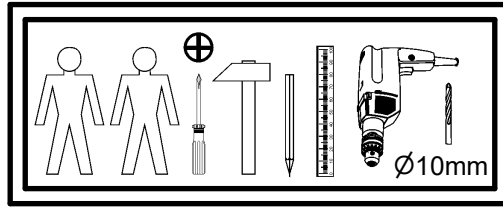
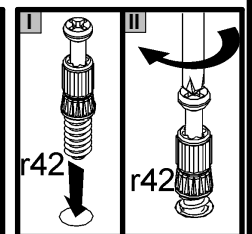
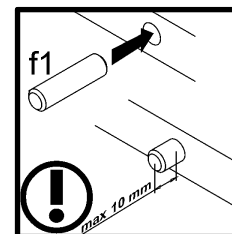
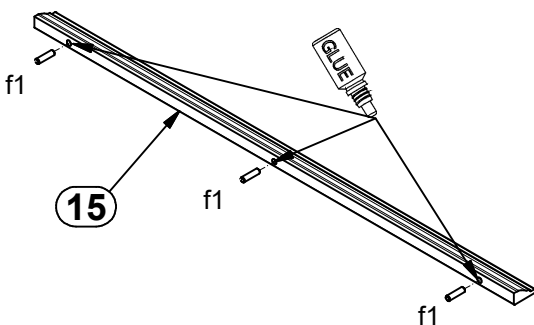
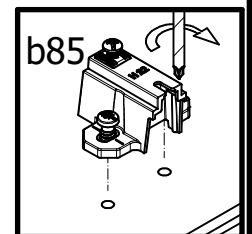
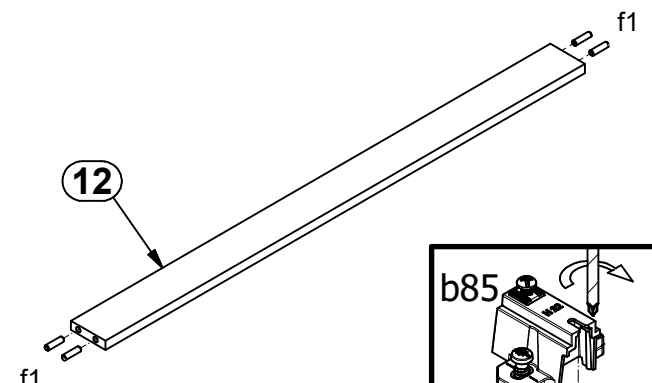
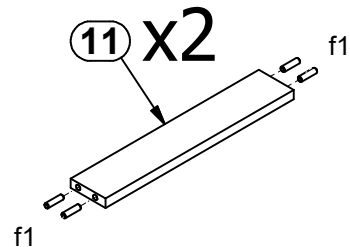
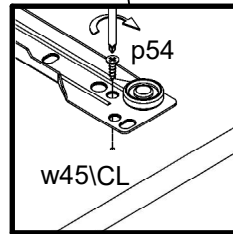
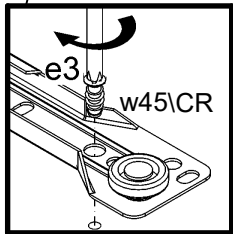
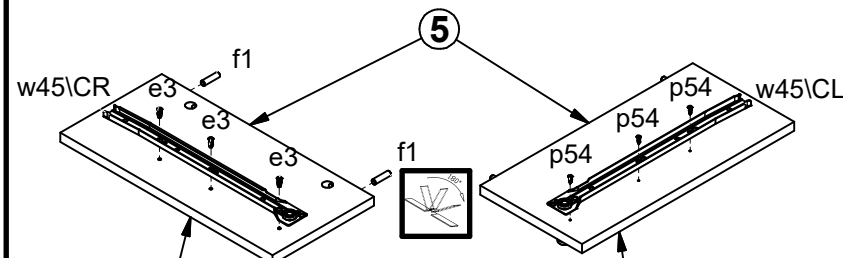
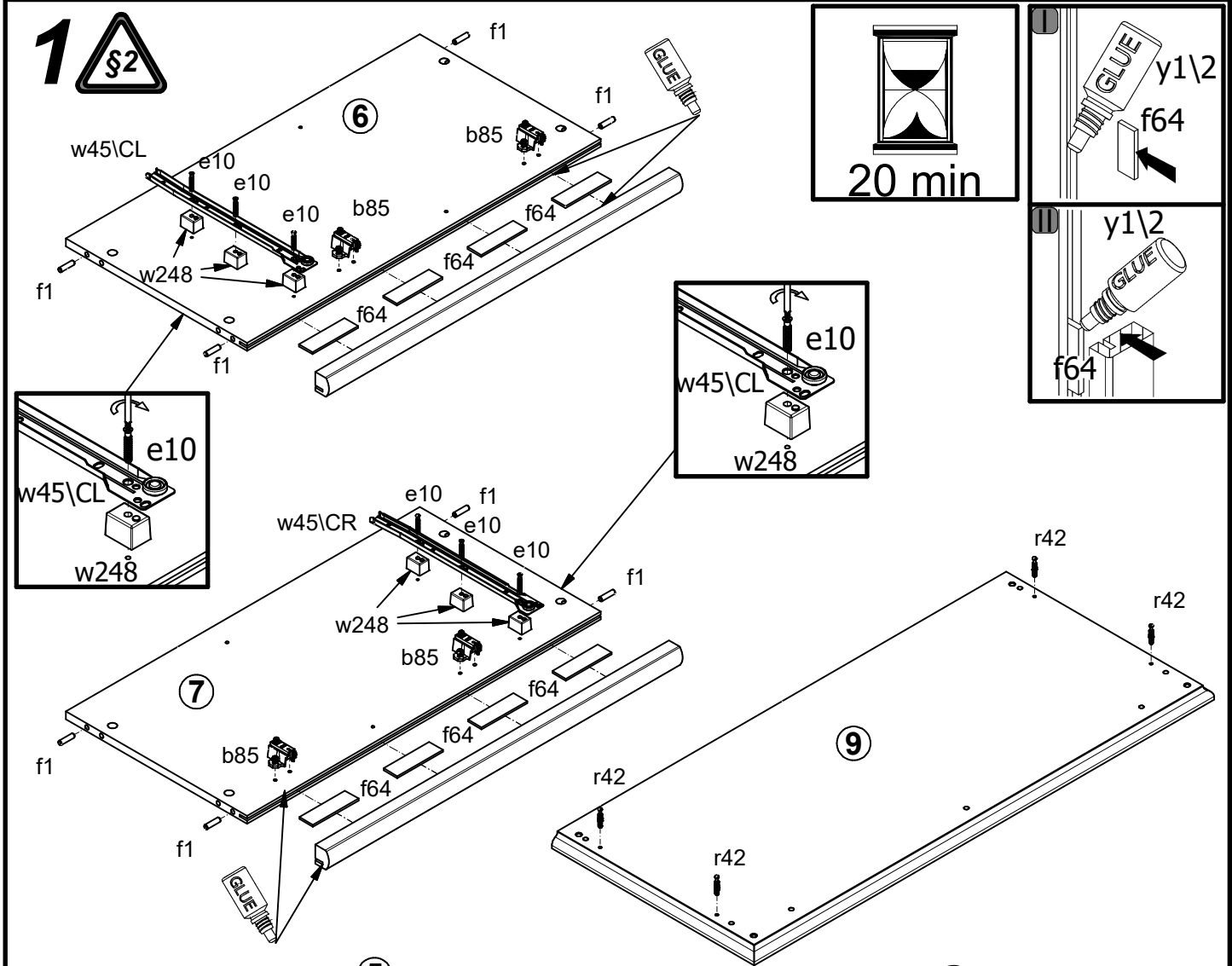
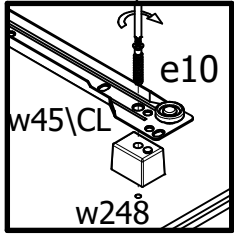
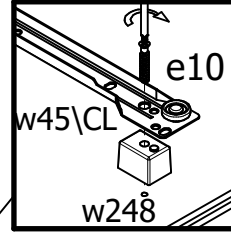
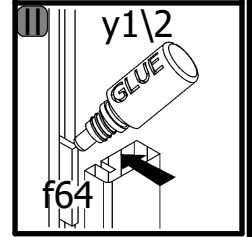
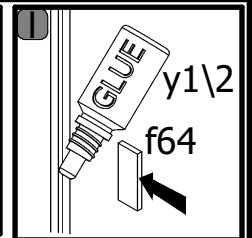
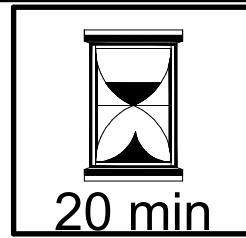


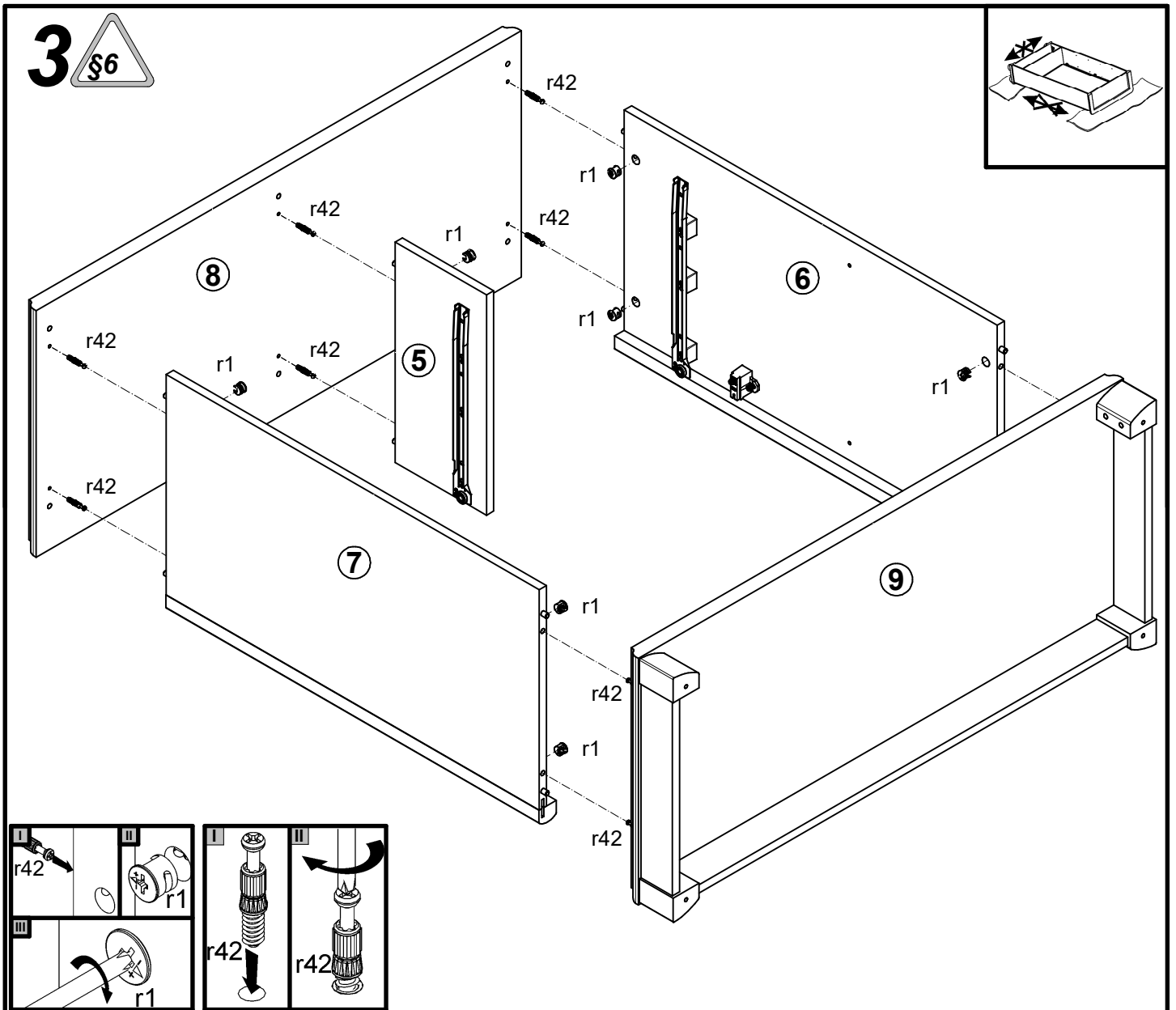
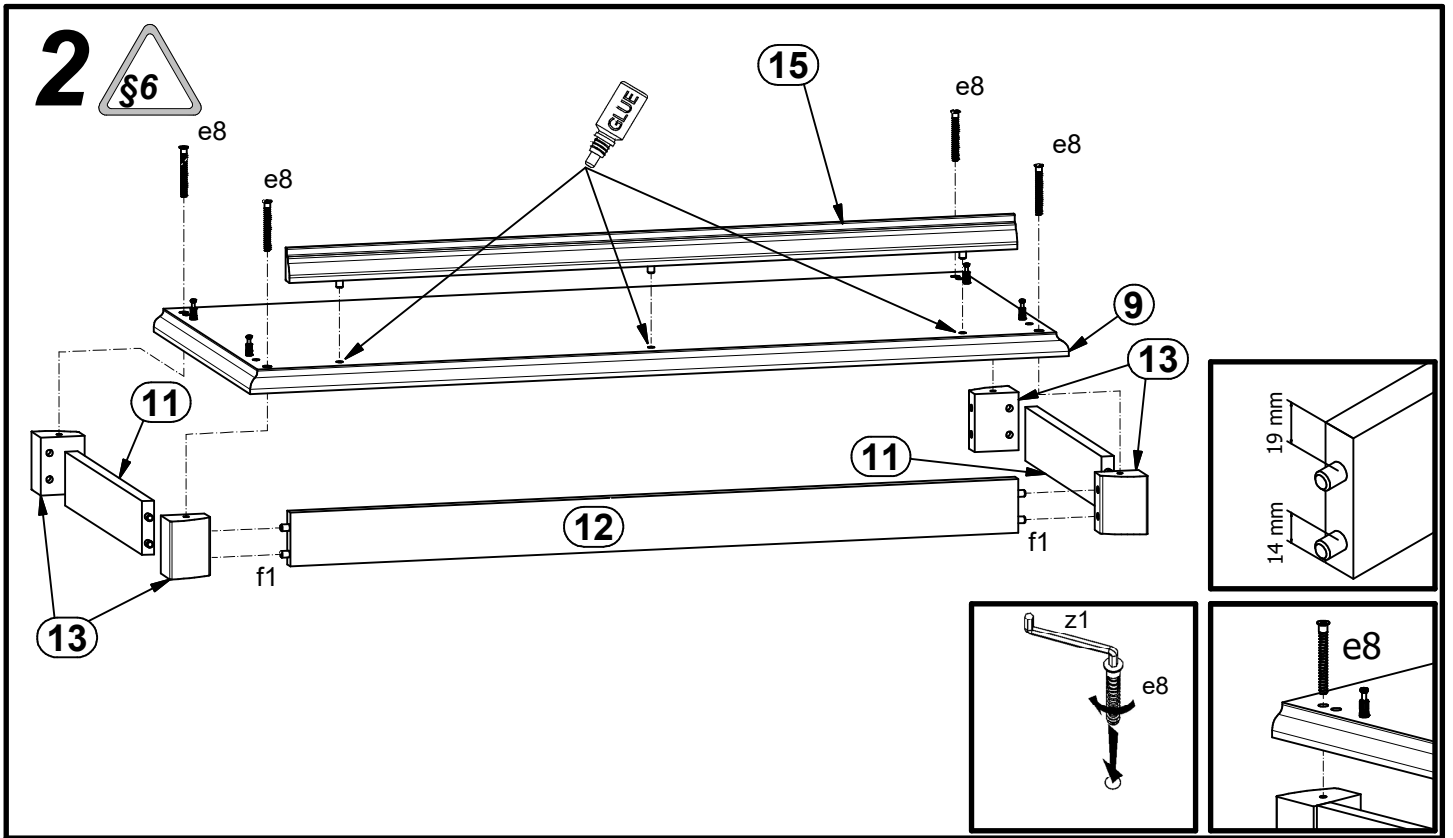
A	B	C	D	
1	S447-0003	445	180	3/3
2	S447-0004	445	180	3/3
3	S447-0010	546	445	3/3
4	S447-0011	546	445	3/3
5	S447-1005	190	397	1/3
6	S447-1011	776	397	1/3
7	S447-1012	776	397	1/3
8	S447-2003	1009	444	2/3
9	S447-2004	1009	444	2/3
10	S447-3005	937	396	1/3
11	S447-4002	352	65	1/3
12	S447-4003	897	65	1/3
13	S447-5003	70	54	1/3
14	S447-5006	776	36	1/3
15	S447-5007	897	40	1/3
16	S447-9003	414	357	1/3
17	S447-9306	823	962	1/3
18	ZS7-5032	392	110	1/3
19	ZS7-521	350	110	1/3
20	ZS7-522	350	110	1/3



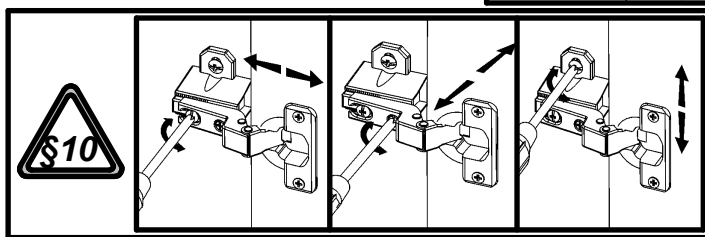
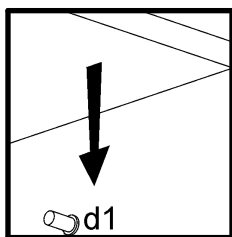
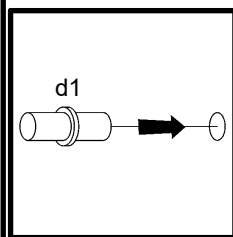
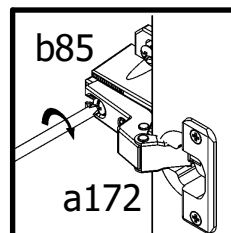
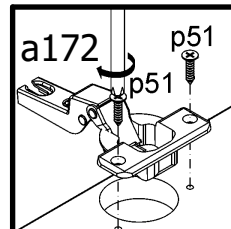
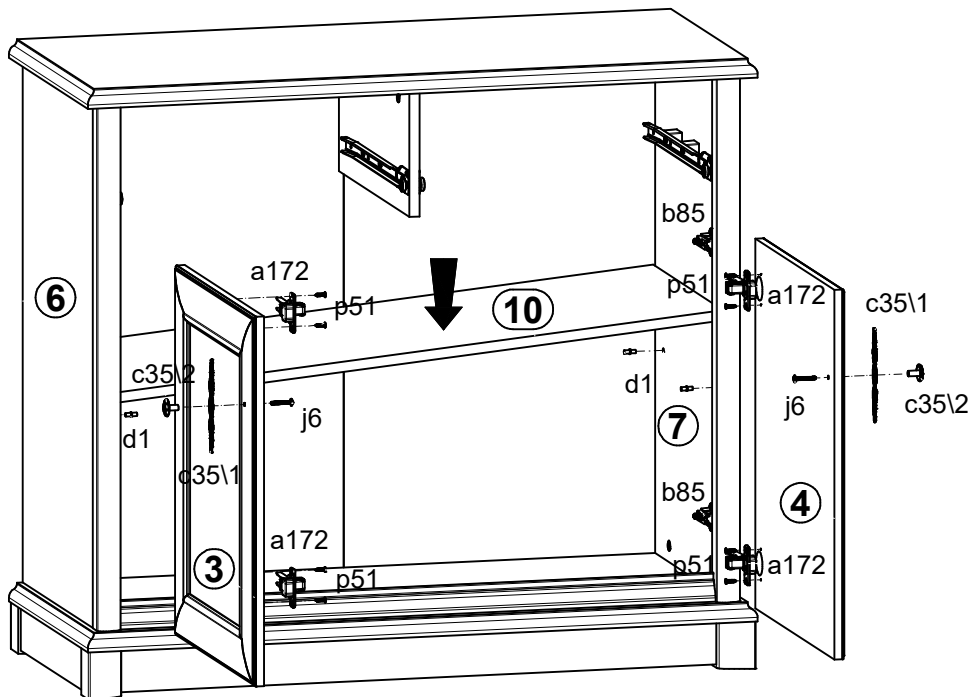
4x K18 Ø35 a172	4x ^{Ø25,5} b85	4x c3511	4x c3512	4x Ø5x17 mm d1	3x Ø6x13 mm e3	4x Ø7x60 mm e8	6x Ø6x33 mm e10	8x Ø5x9 mm e19
25x Ø8x30 mm f1	4x Ø6x30 mm f9	8x Ø6,5x40 mm f25	8x 100x30 3,8 mm f64	2x M4x20 mm j1	2x M4x30 mm j6	40x 1,4x20 mm l1	6x Ø3,5x16 mm p38	8x Ø3,5x15 mm p51
3x Ø3x12 mm p54	10x Ø15x12 mm #16 r1	8x Ø12x10,5 mm #12 r15	18x 20 11 r42	2x 350 mm w45 CL	2x 350 mm w45 CR	2x 350 mm w45 DL	2x 350 mm w45 DR	6x H=21 mm w248
1x 30g y1 2	4x s2	1x 4 mm z1					1x Ø3,5x16 mm p38	1x n26

1 





6



7

