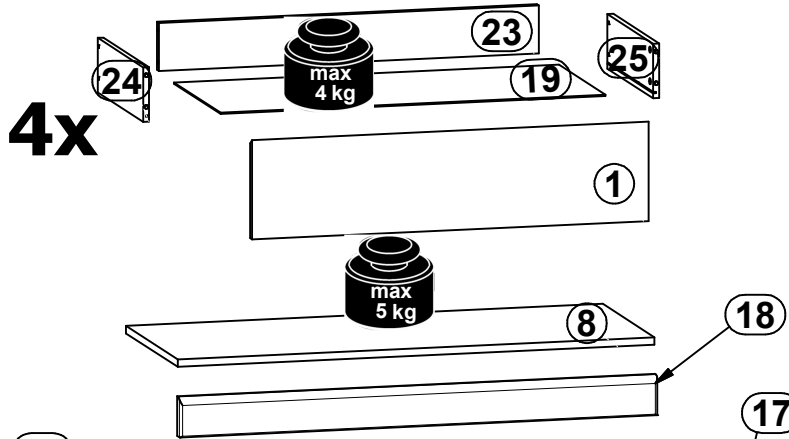
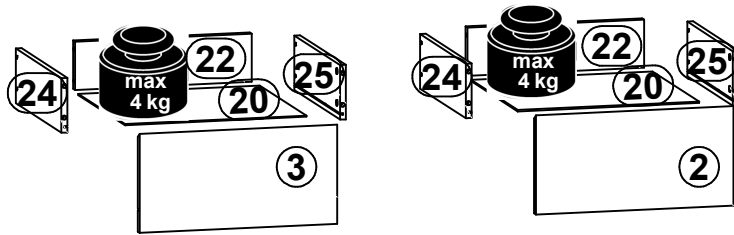
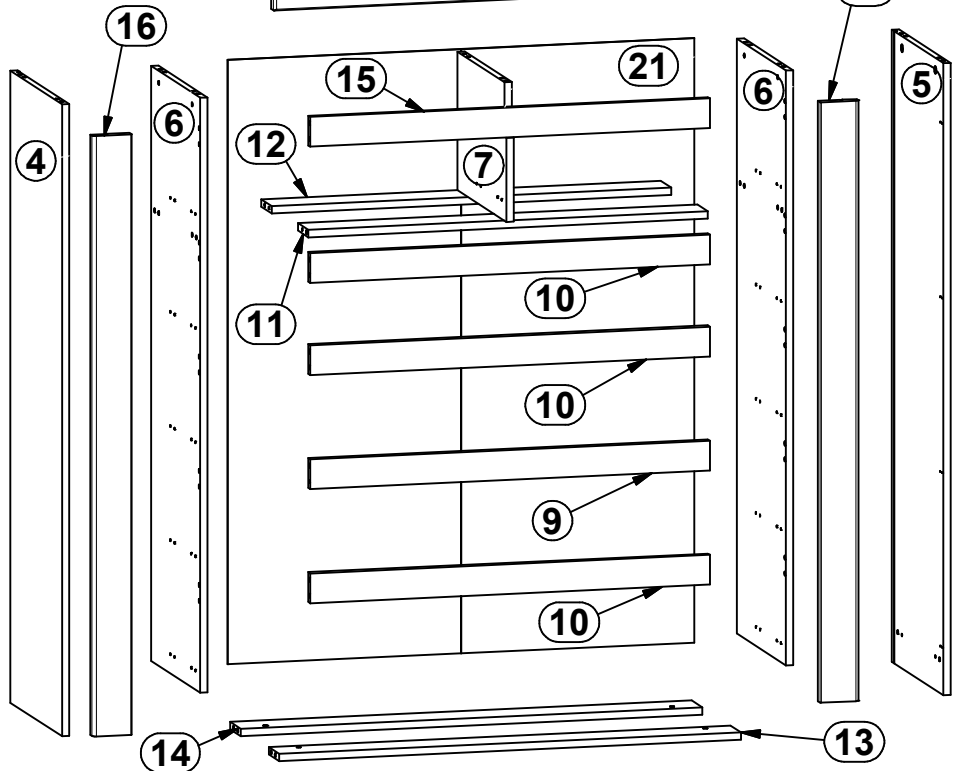
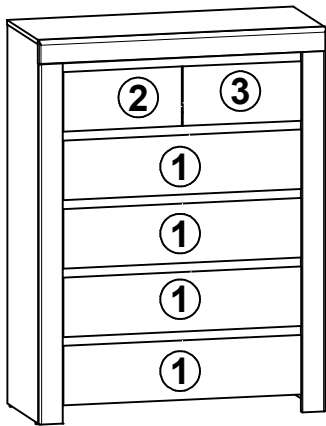


A	B	C	D	
1	S440-0001	815	200	2/2
2	S440-0002	406	200	2/2
3	S440-0003	406	200	2/2
4	S440-1001	1274	396	1/2
5	S440-1002	1274	396	1/2
6	S440-1003	1199	376	1/2
7	S440-1005	279	376	2/2
8	S440-2001	980	396	2/2
9	S440-4001	821	60	2/2
10	S440-4002	821	60	2/2
11	S440-4003	821	80	2/2
12	S440-4004	821	80	2/2
13	S440-4005	949	80	2/2
14	S440-4006	949	80	2/2
15	S440-4007	821	60	2/2
16	S440-5001	1210	80	1/2
17	S440-5002	1210	80	1/2
18	S440-5003	982	80	1/2
19	S440-9001	791	357	2/2
20	S440-9002	373	357	2/2
21	S440-9301	1218	959	1/2
22	ZQ6-5055	363	97	2/2
23	ZQ6-5056	781	97	2/2
24	ZQ6-519	350	110	1/2
25	ZQ6-520	350	110	1/2

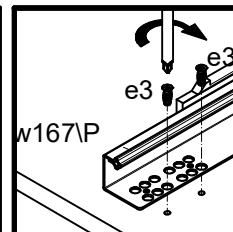
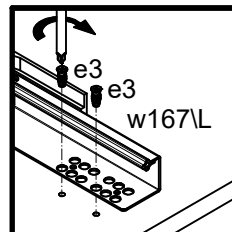
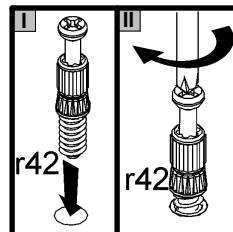
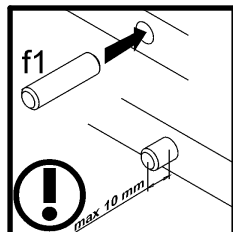
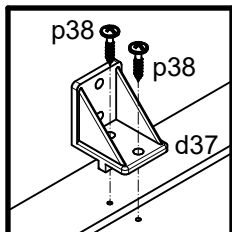
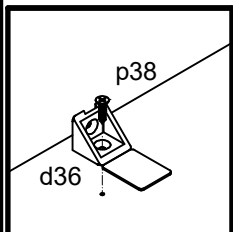
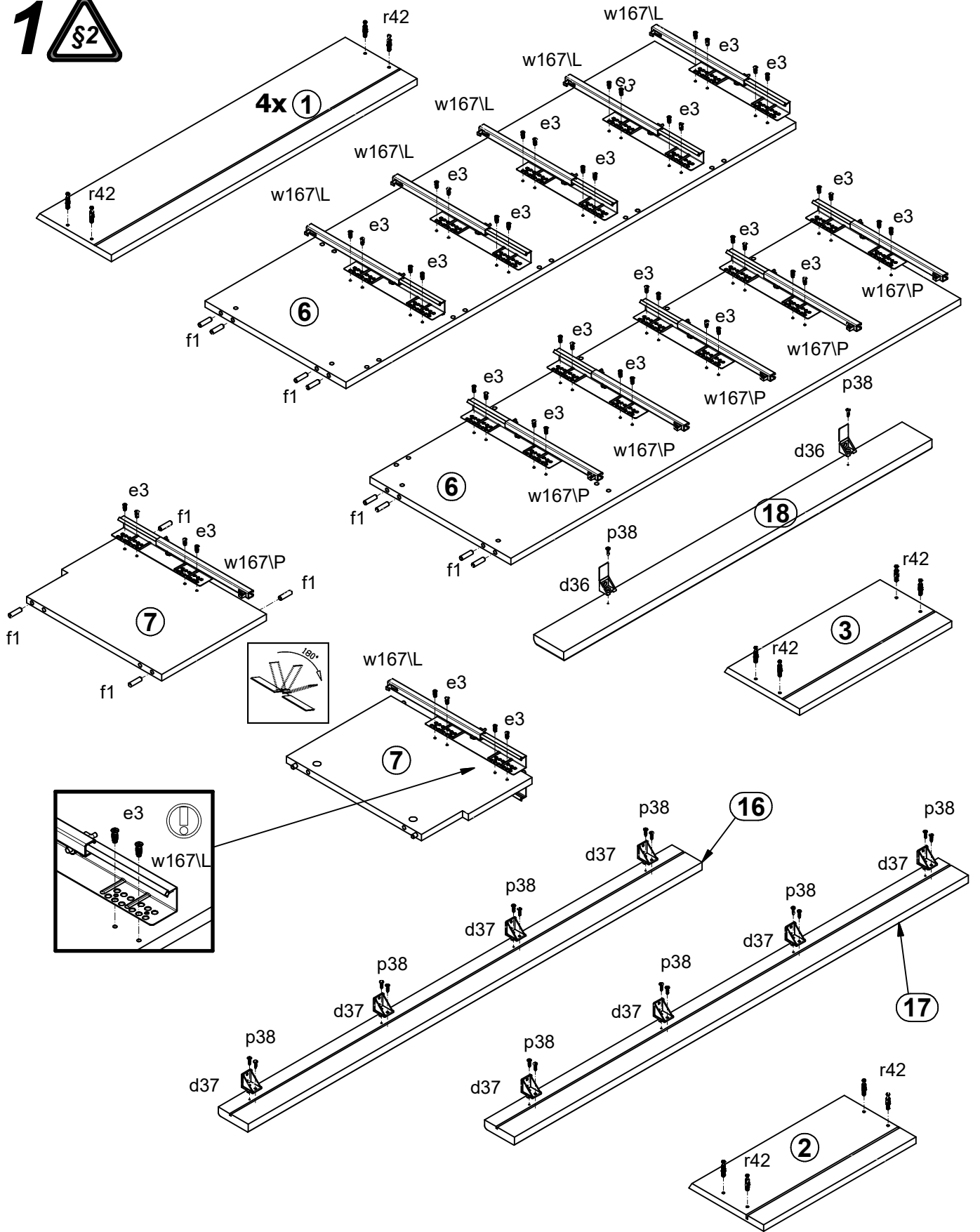


4x

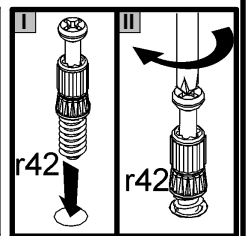
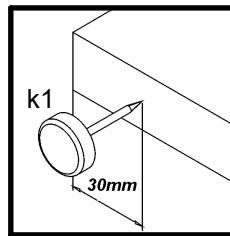
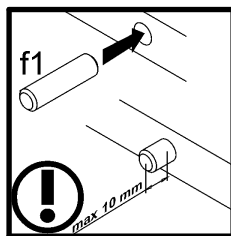
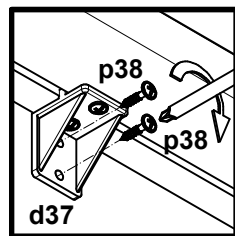
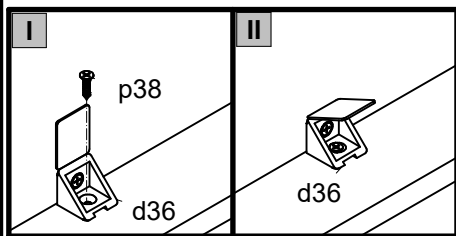
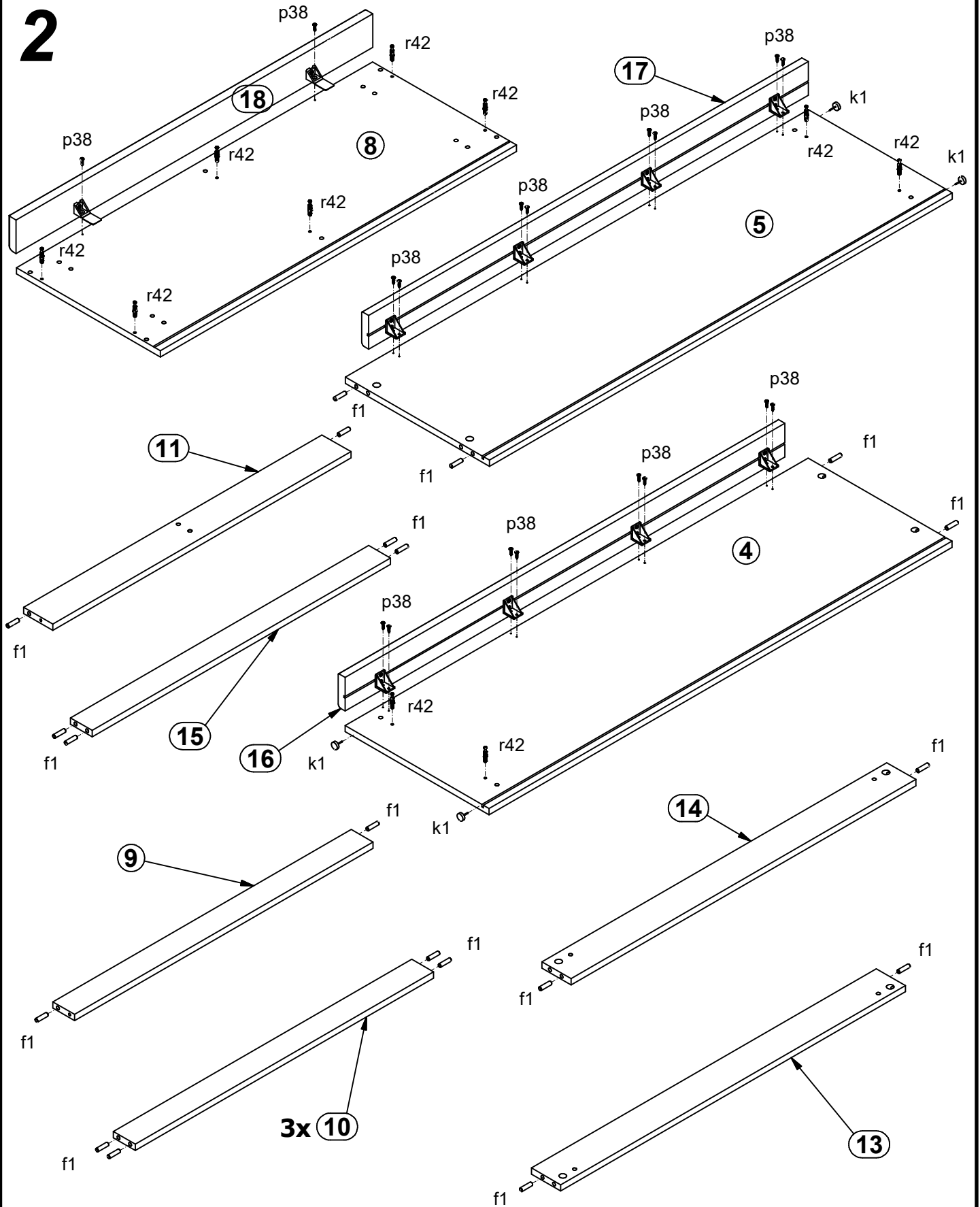


2x d36	8x d37	12x Ø7x50 mm e1	48x Ø6x13 mm e3	42x Ø8x30 mm f1	24x Ø6.5x40 mm f25	4x k1	45x 1.4x20 mm l1	8x l2
4x Ø3.5x16 mm p25	4x Ø3.5x10 mm p35	67x Ø3.5x16 mm p38	12x Ø2.9x16 mm p55	10x Ø15x12 mm #16 r1	24x Ø12x10.5 mm #12 r15	34x 20/11 r42	4x 350 mm t35	6x 350mm w167L
6x 350mm w167P	1x 4 mm z1	1x n26						

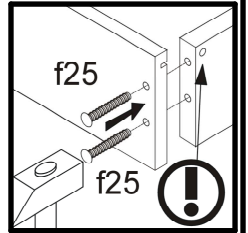
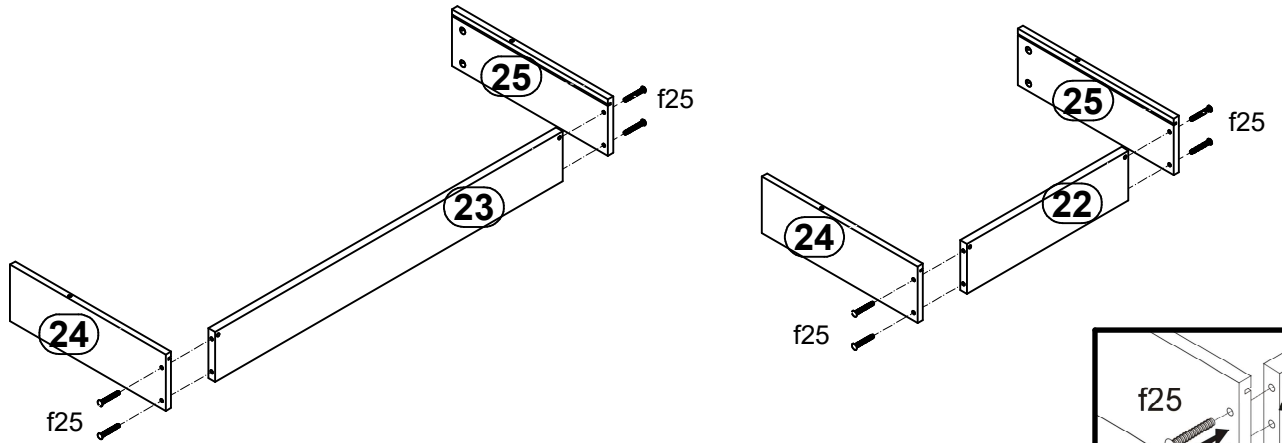
1 



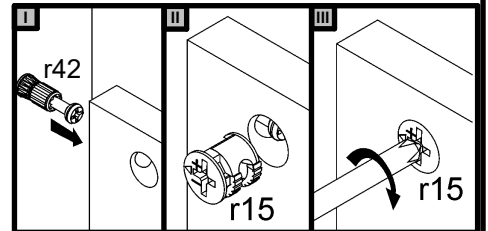
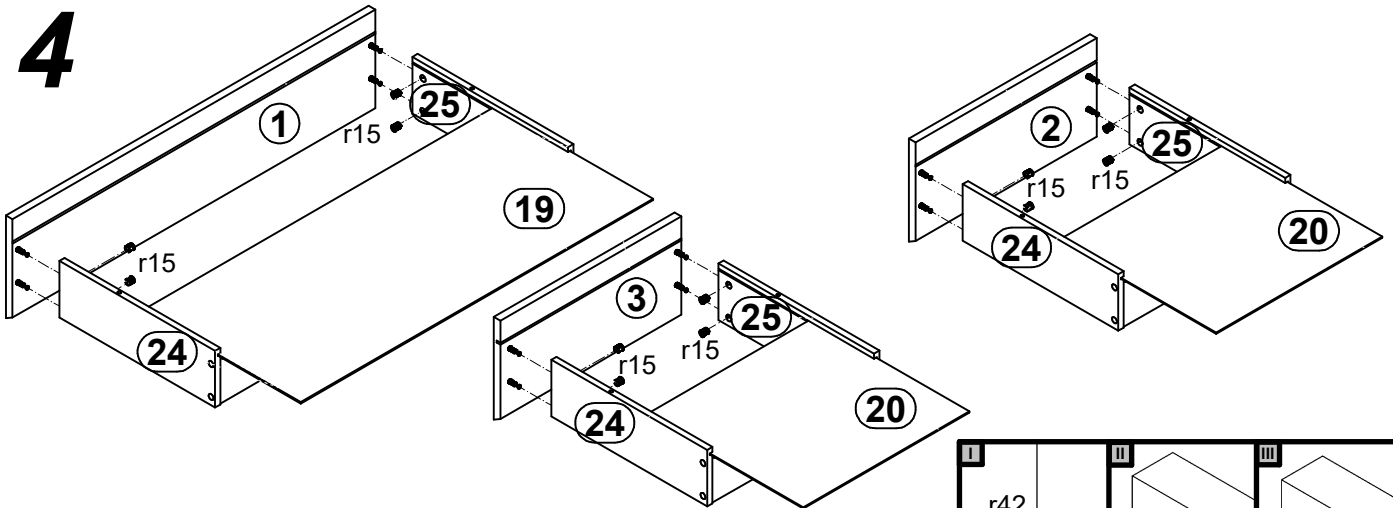
2



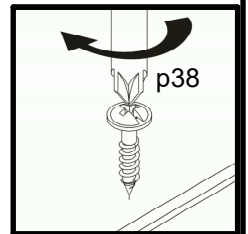
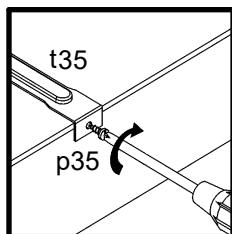
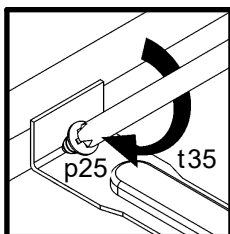
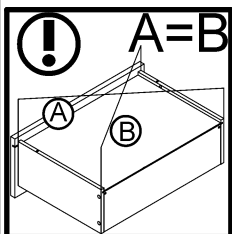
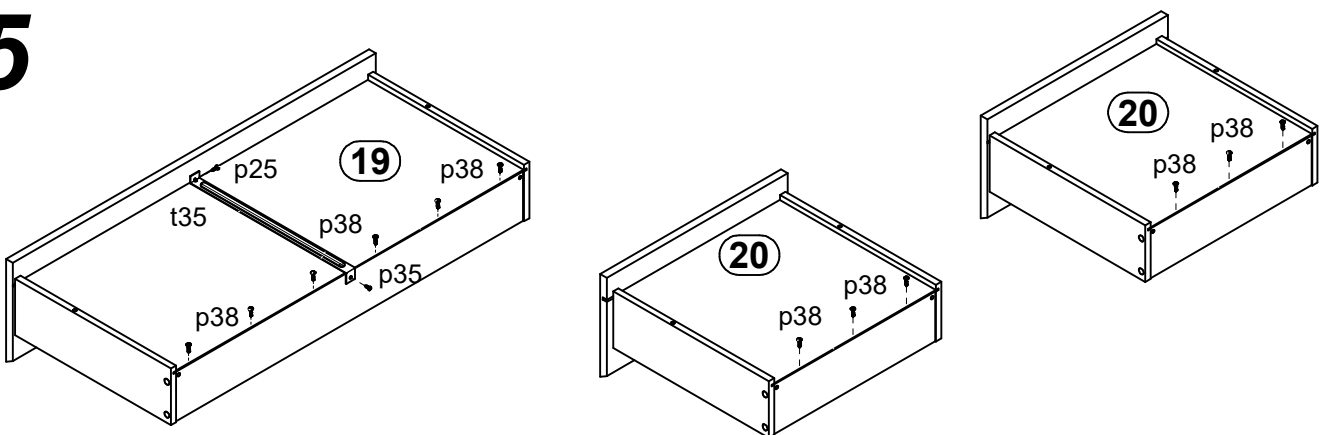
3



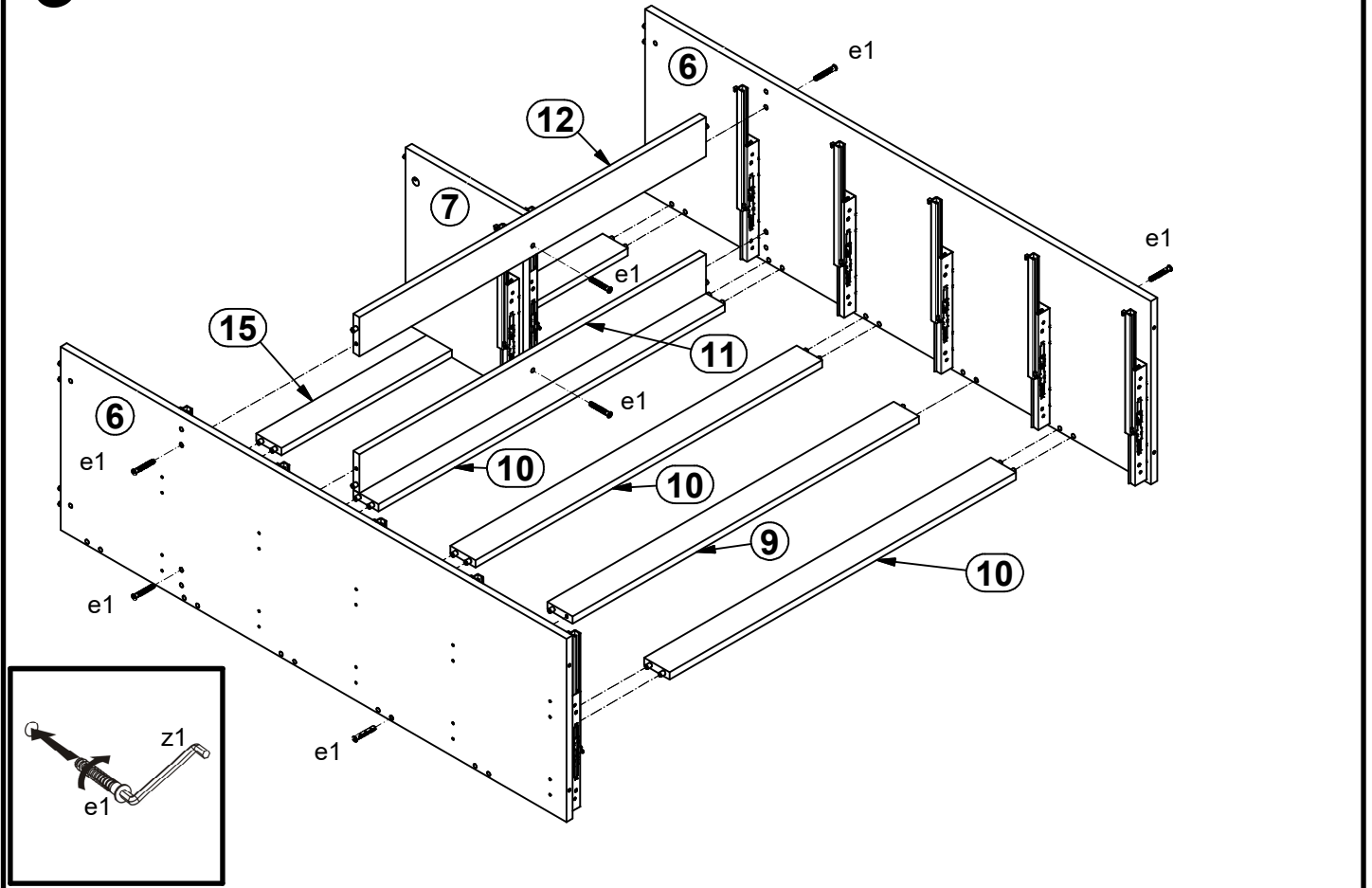
4



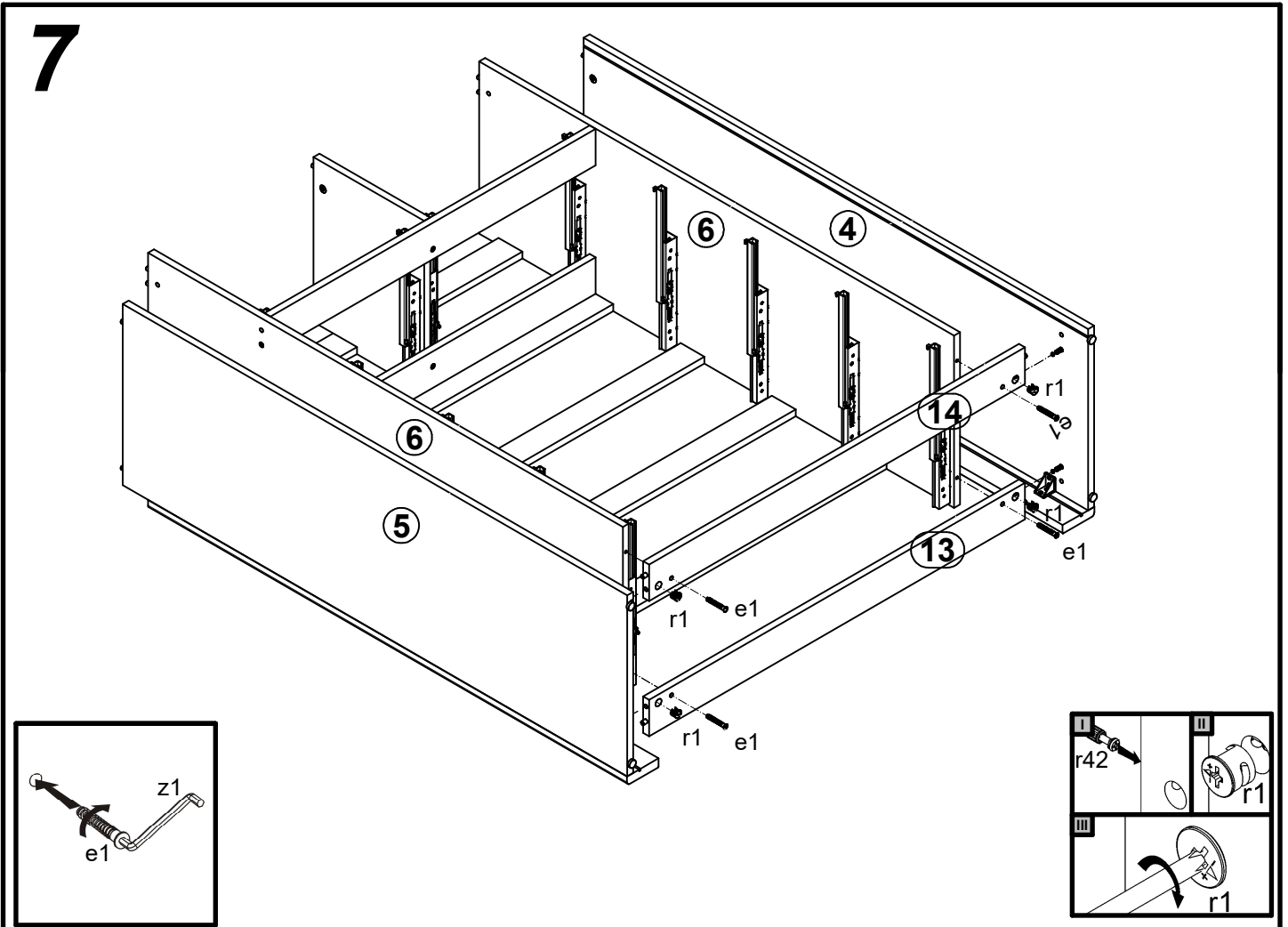
5



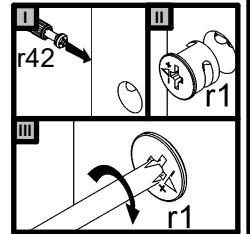
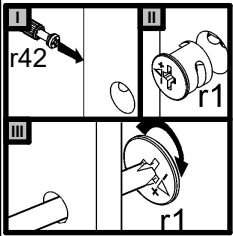
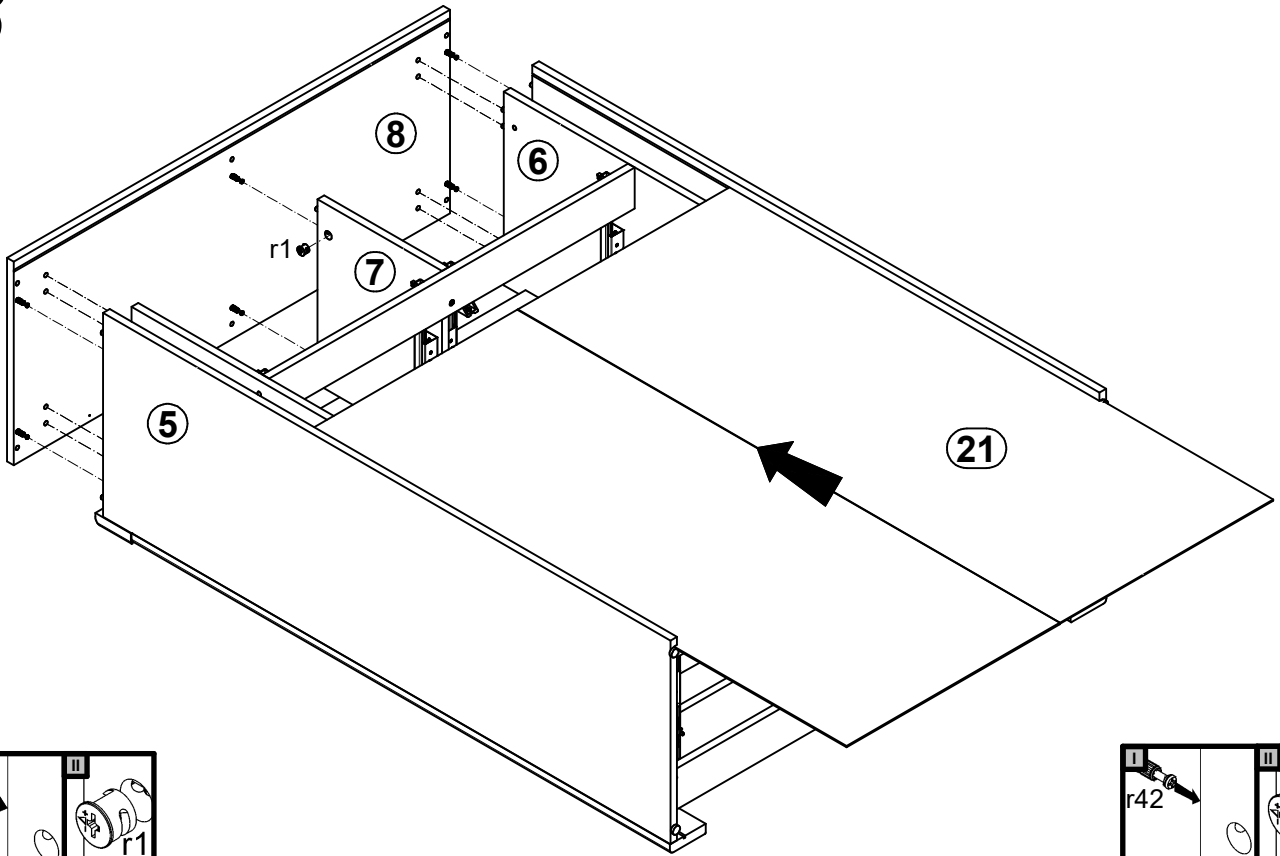
6



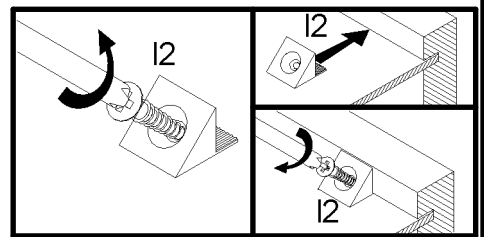
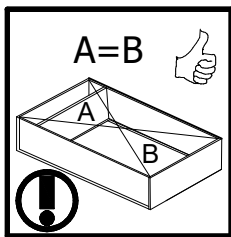
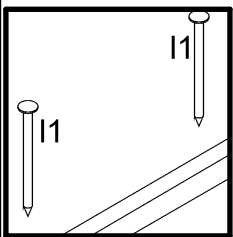
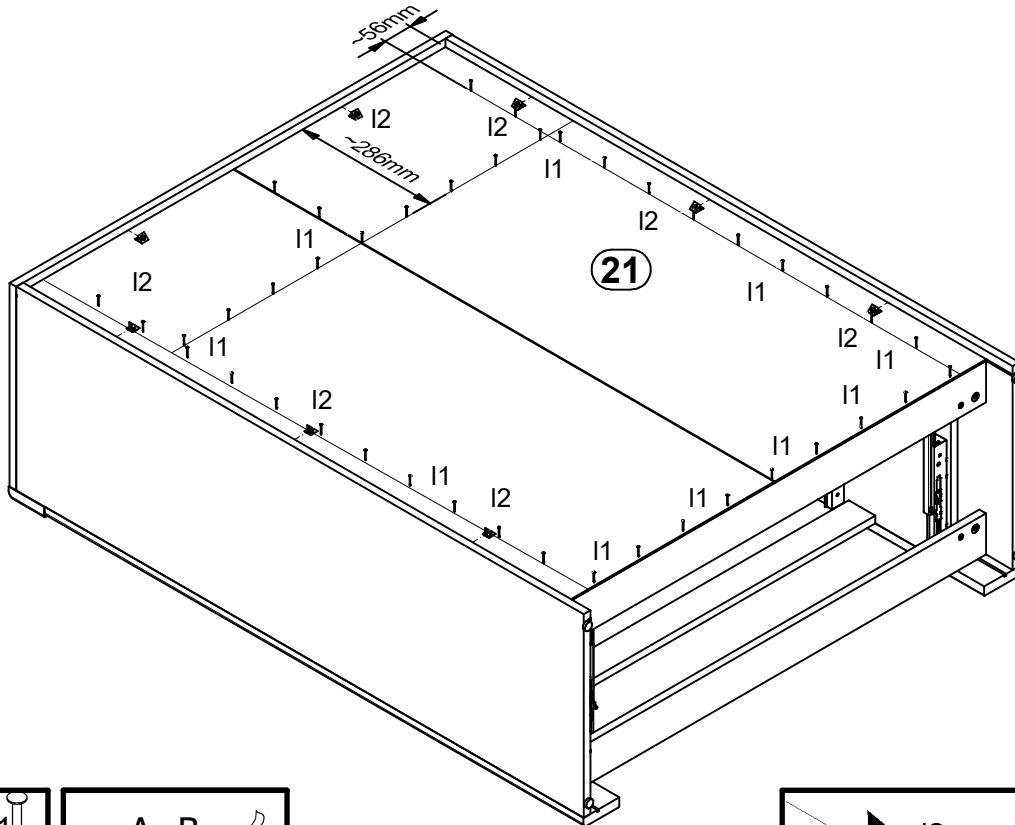
7



8



9



10

