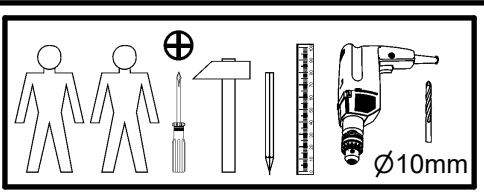
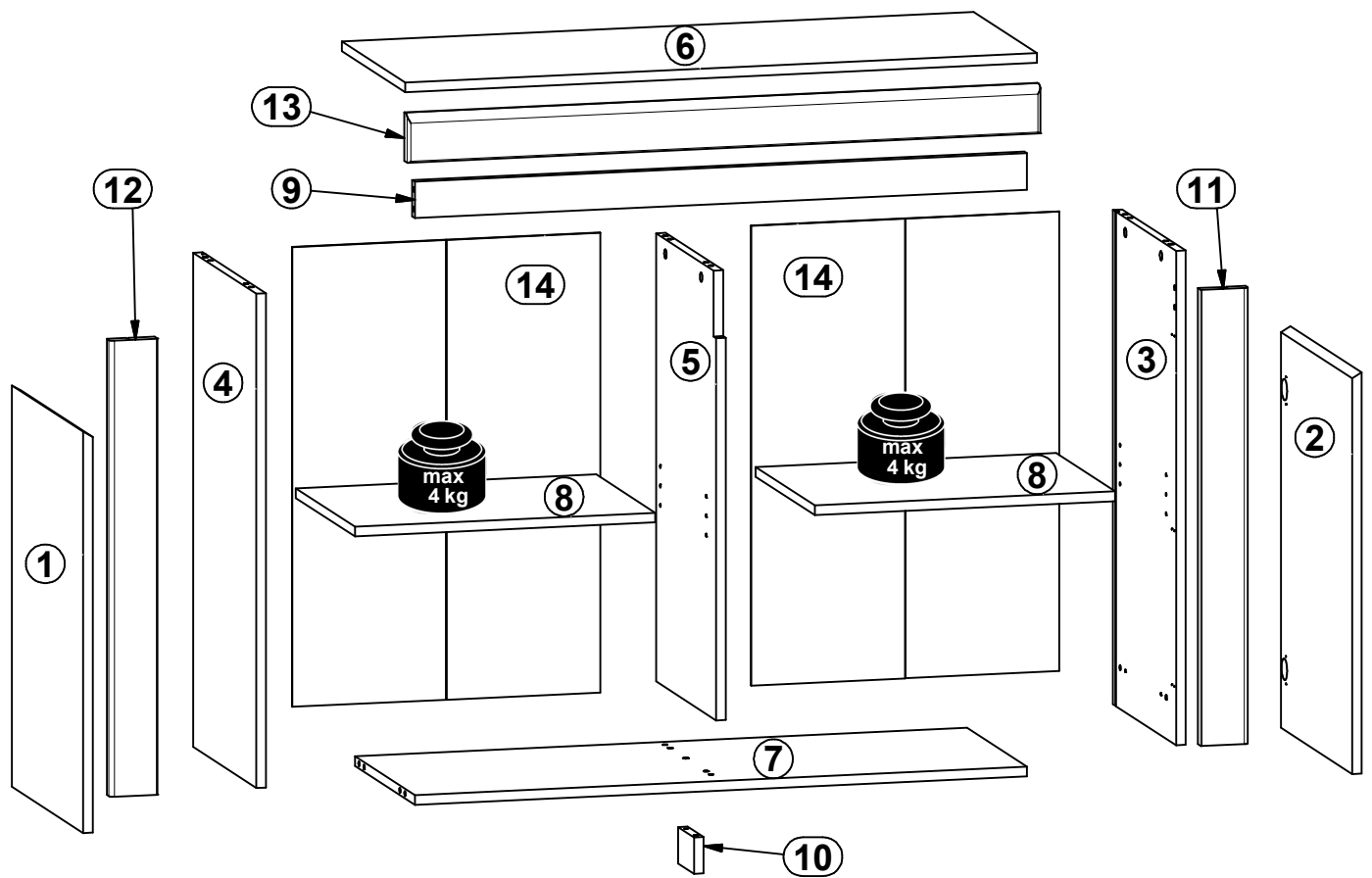
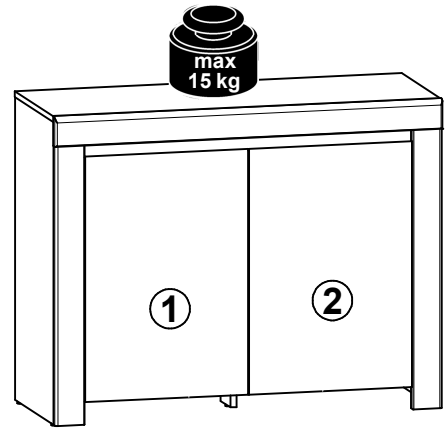
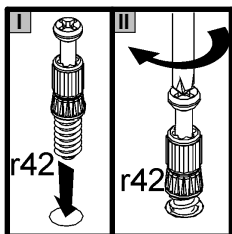
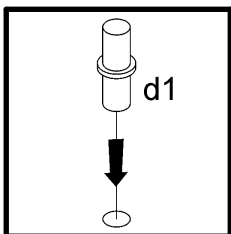
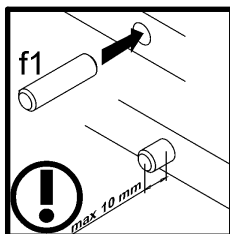
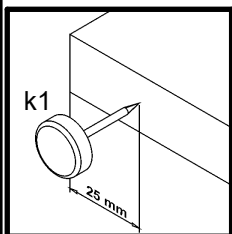
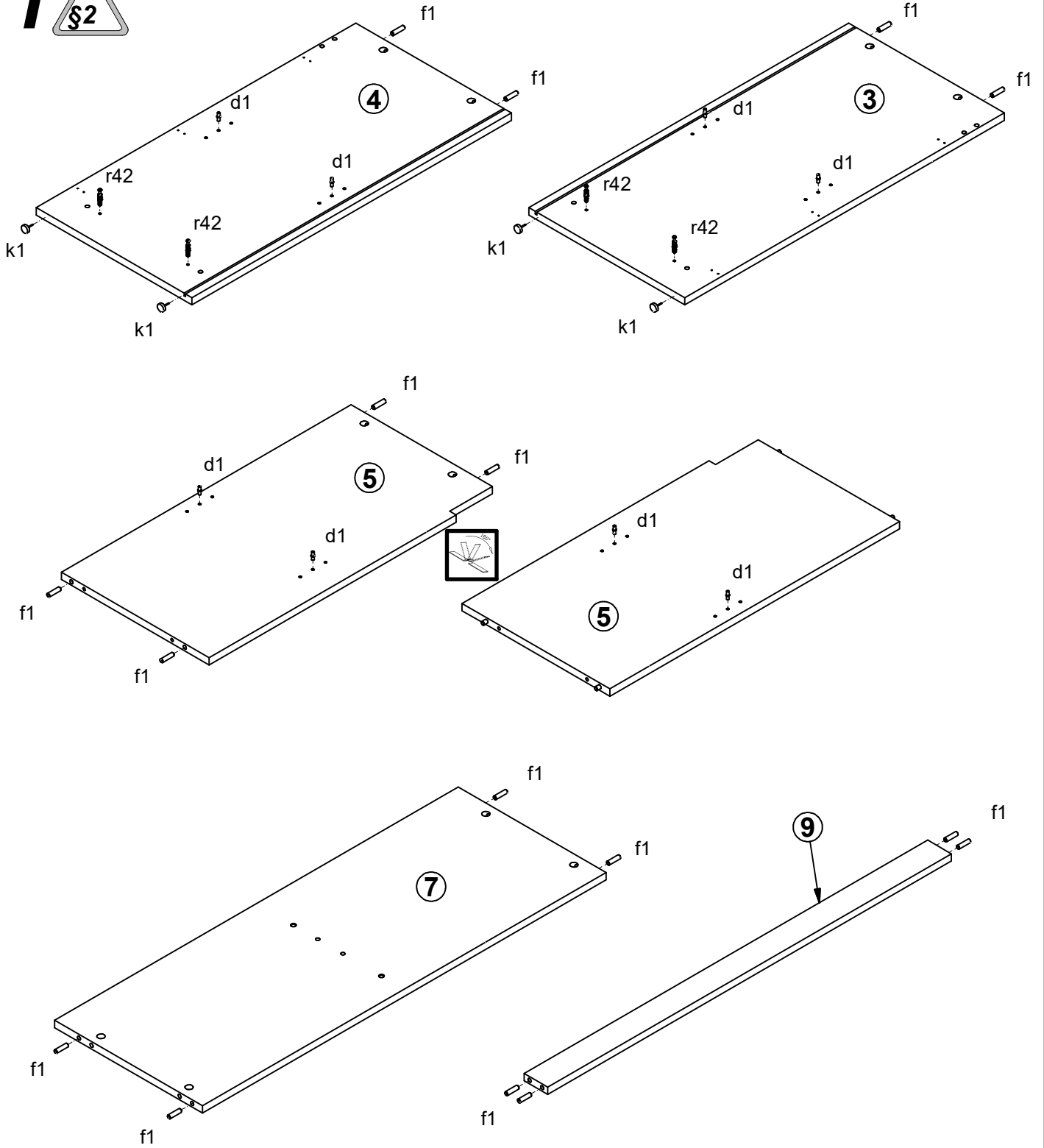


A	B	C	D	
1	S397-0009	660	446	3/3
2	S397-0010	660	446	3/3
3	S397-1002	813	396	1/3
4	S397-1014	813	396	1/3
5	S397-1015	737	376	1/3
6	S397-2004	1060	396	2/3
7	S397-3011	1027	376	2/3
8	S397-3012	504	370	2/3
9	S397-4009	1027	60	2/3
10	S397-5001	100	60	1/3
11	S397-5003	750	80	2/3
12	S397-5017	750	80	2/3
13	S397-5018	1062	80	2/3
14	S397-9305	756	517	1/3

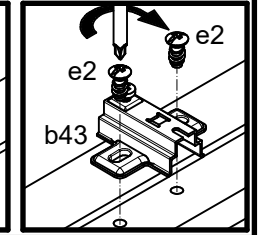
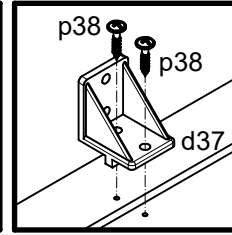
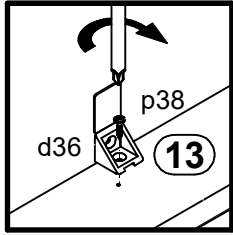
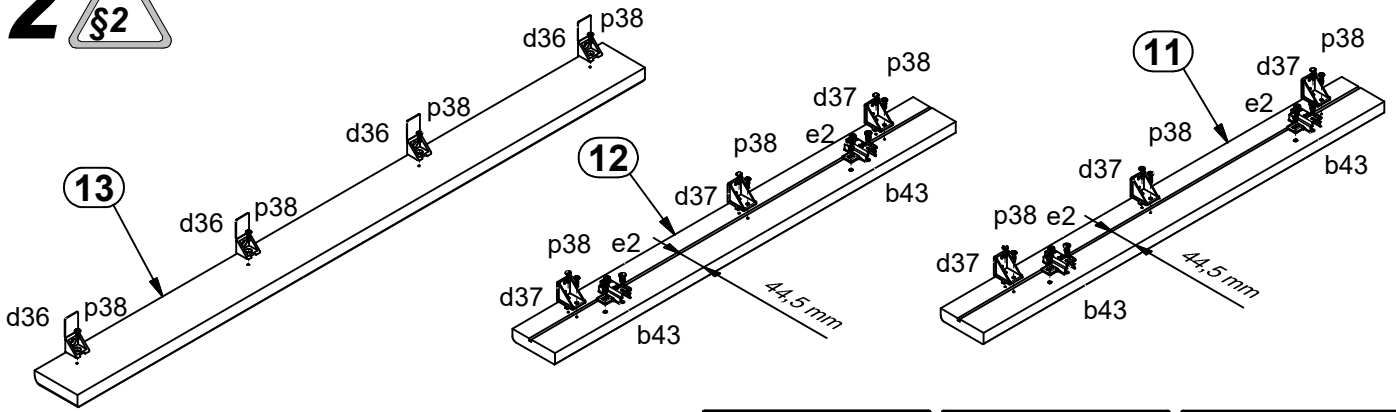


4x a132	2x a133	4x b43	8x Ø5x17 mm d1	4x d36	6x d37	3x Ø7x50 mm e1	8x Ø6,3x13 mm e2	17x Ø8x30 mm f1
5x k1	15x l1	10x l2	5x 20x13x3,51 n108	32x Ø3,5x16 mm p38	8x Ø3,5x15 mm p51	5x Ø2,9x16 mm p55	10x Ø15x12 mm #16 r1	10x Ø3,5x16 mm r42
6x Ø16 s2	1x 4 mm z1							
							1x n26/1	1x Ø3,5x16 mm p38

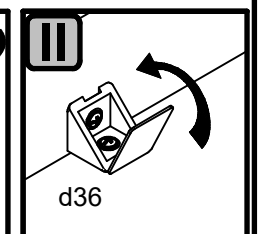
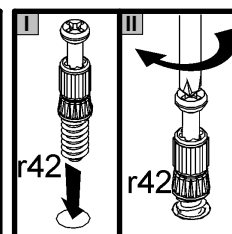
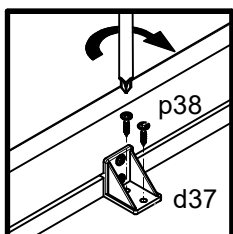
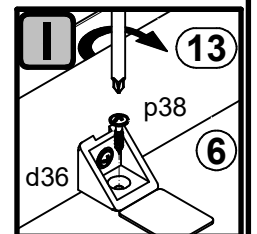
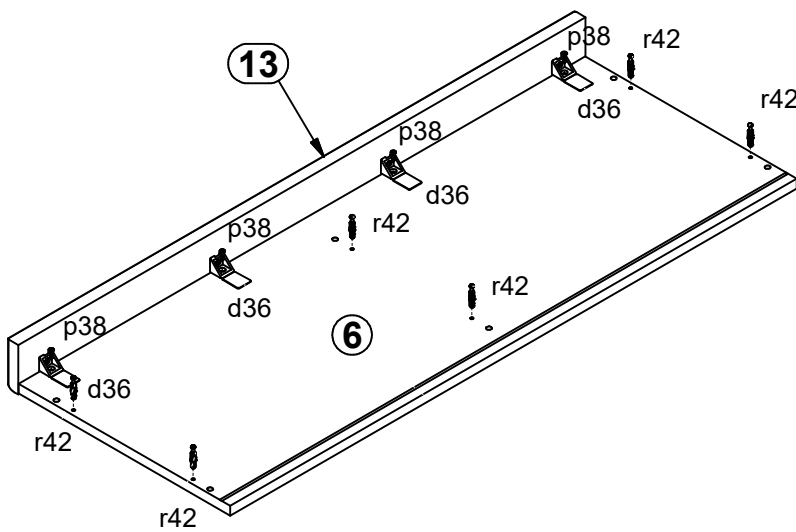
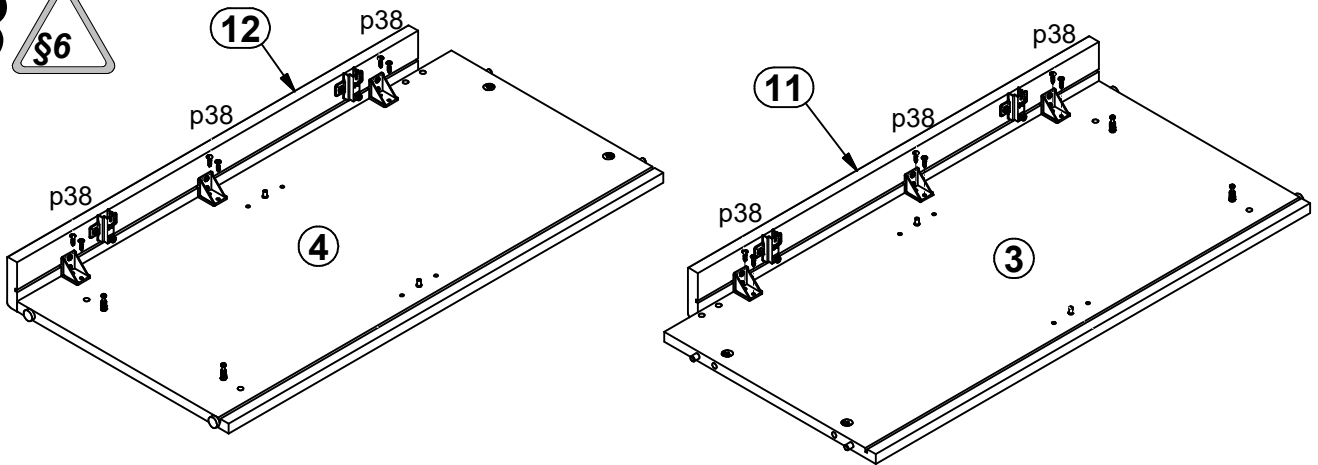
1 



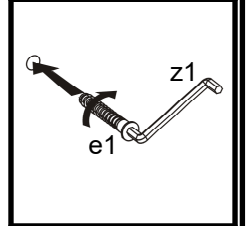
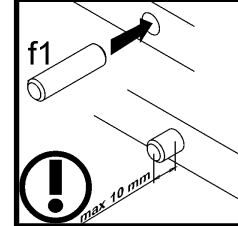
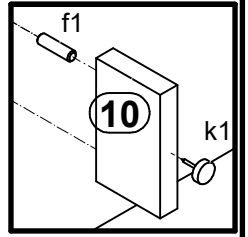
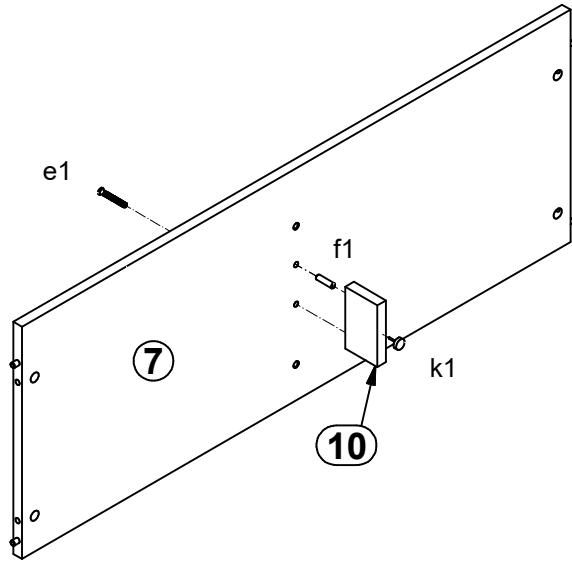
2



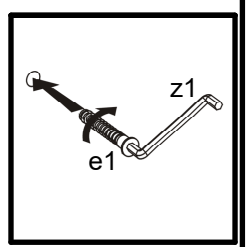
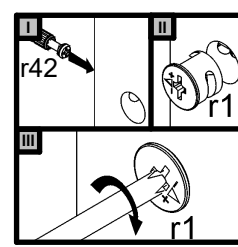
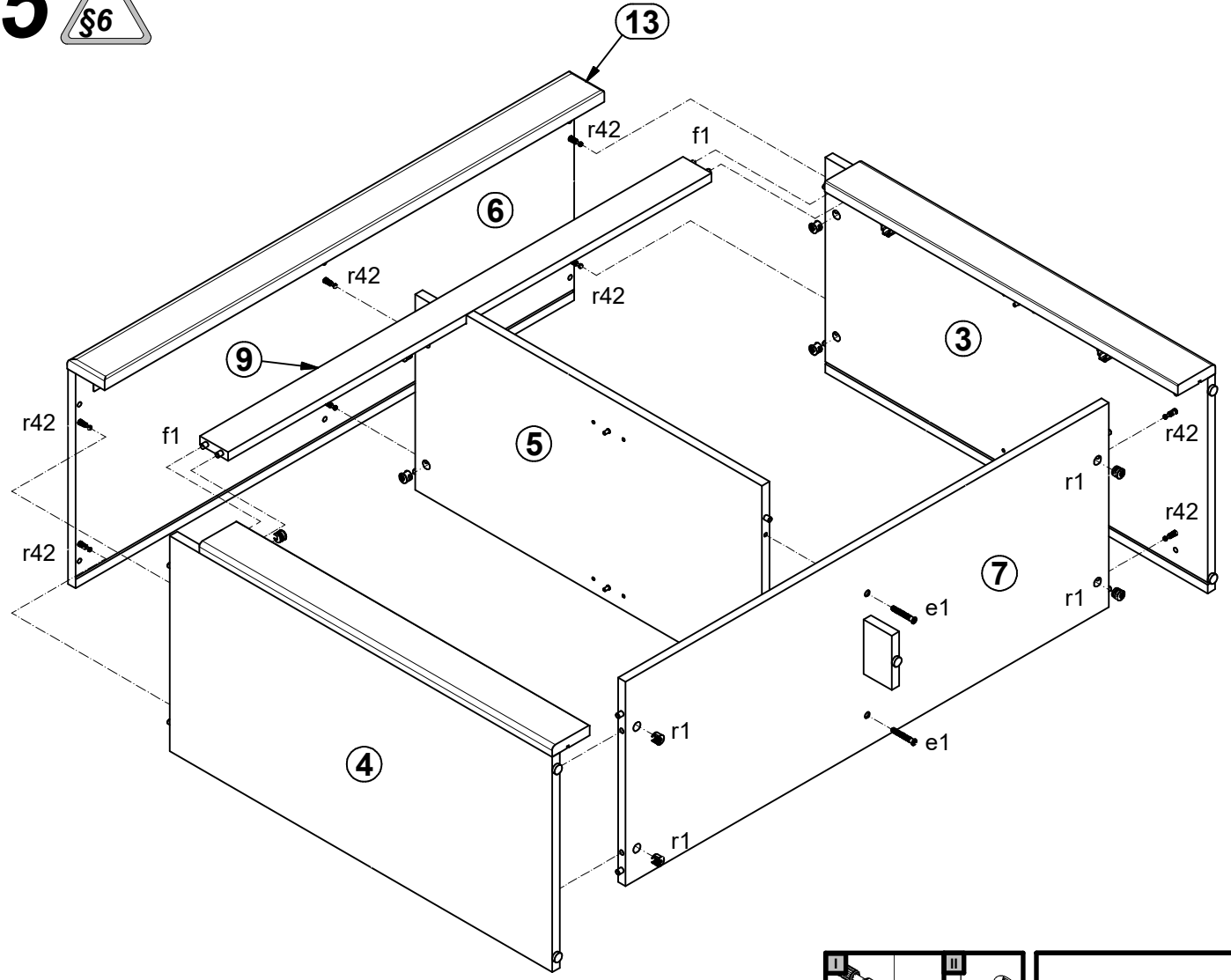
3



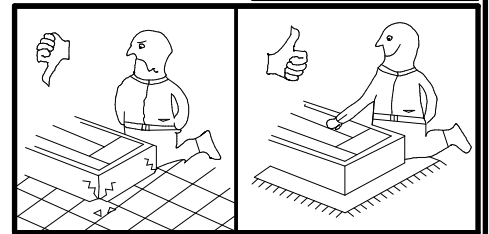
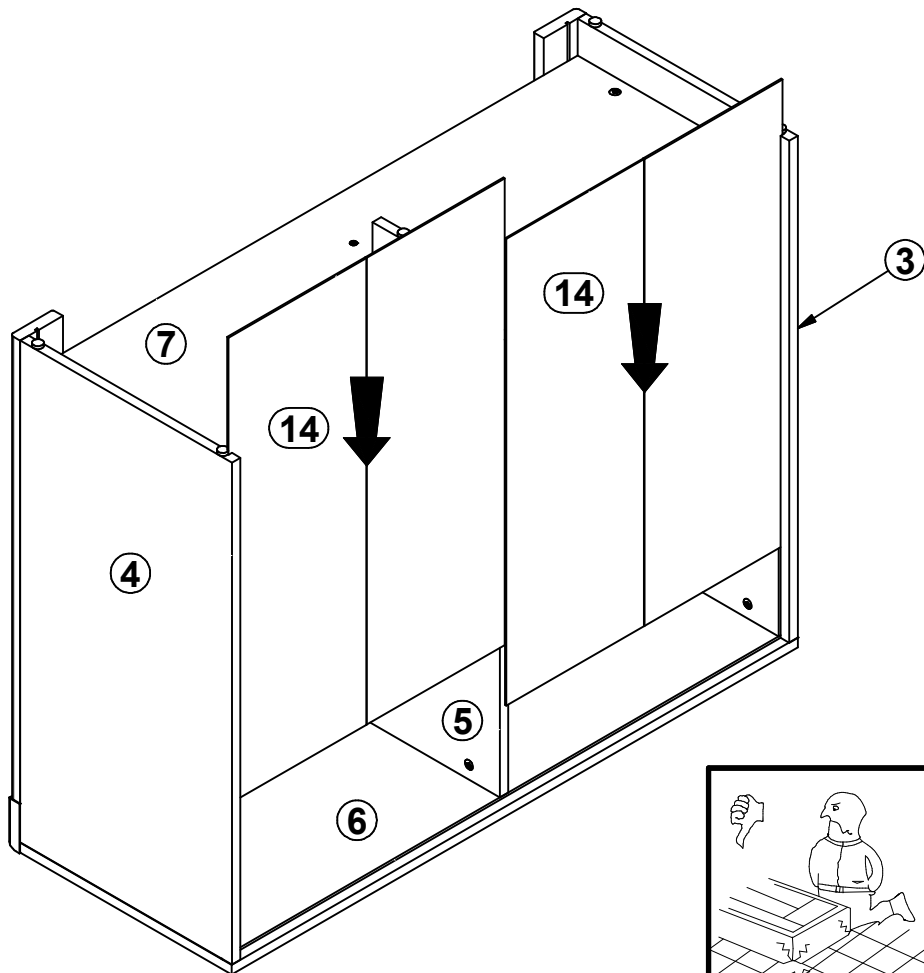
4



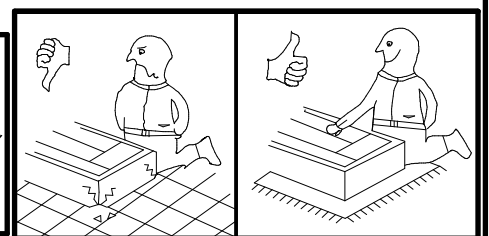
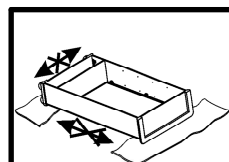
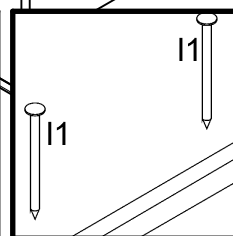
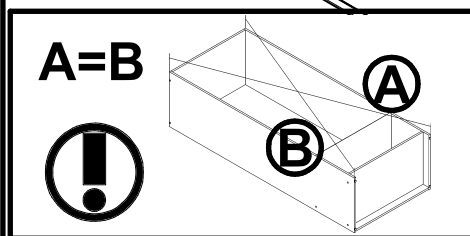
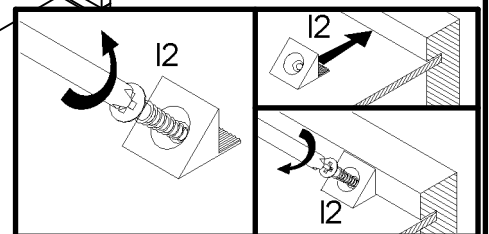
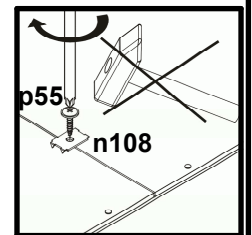
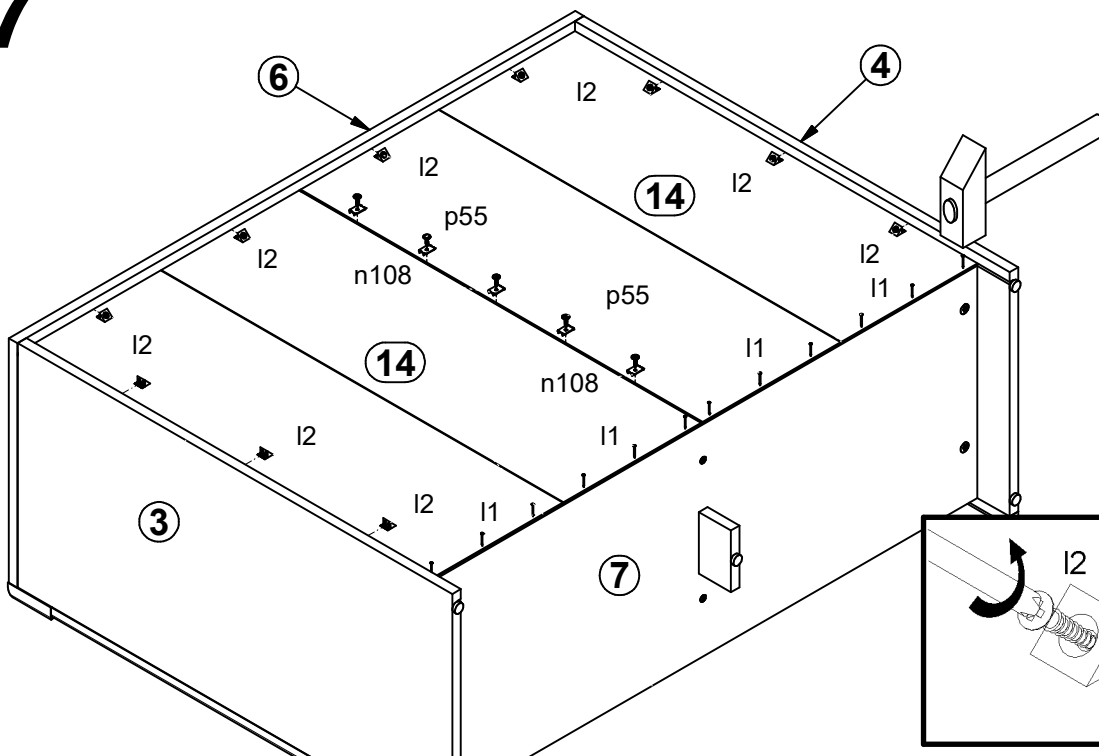
5



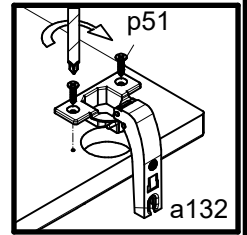
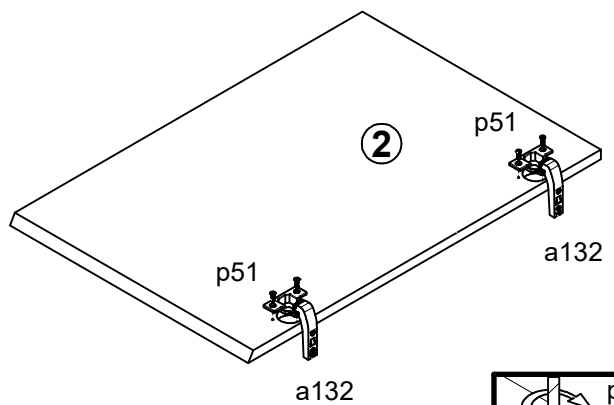
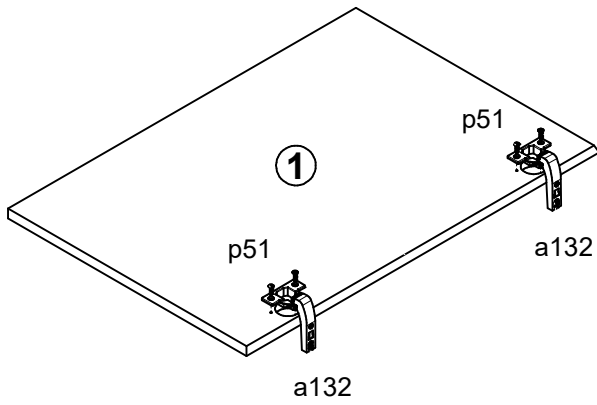
6



7



8



9

