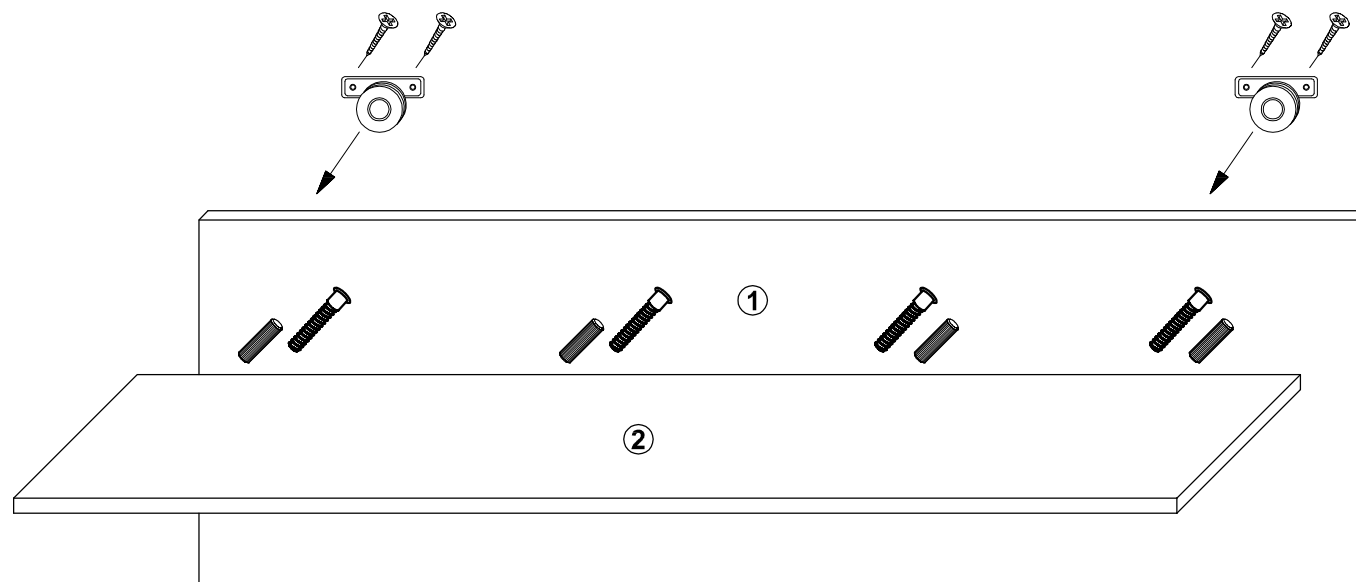
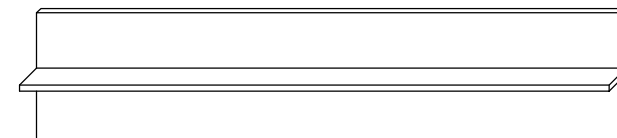
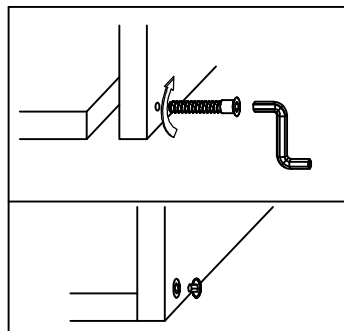
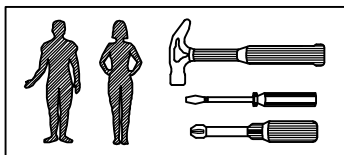
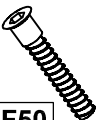
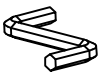
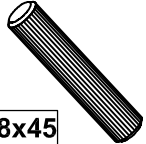





PAT PÓLKA



					
KF50	KZ	8x45	ZMS	W5x10	K8x40
4	1	4	2	4	2