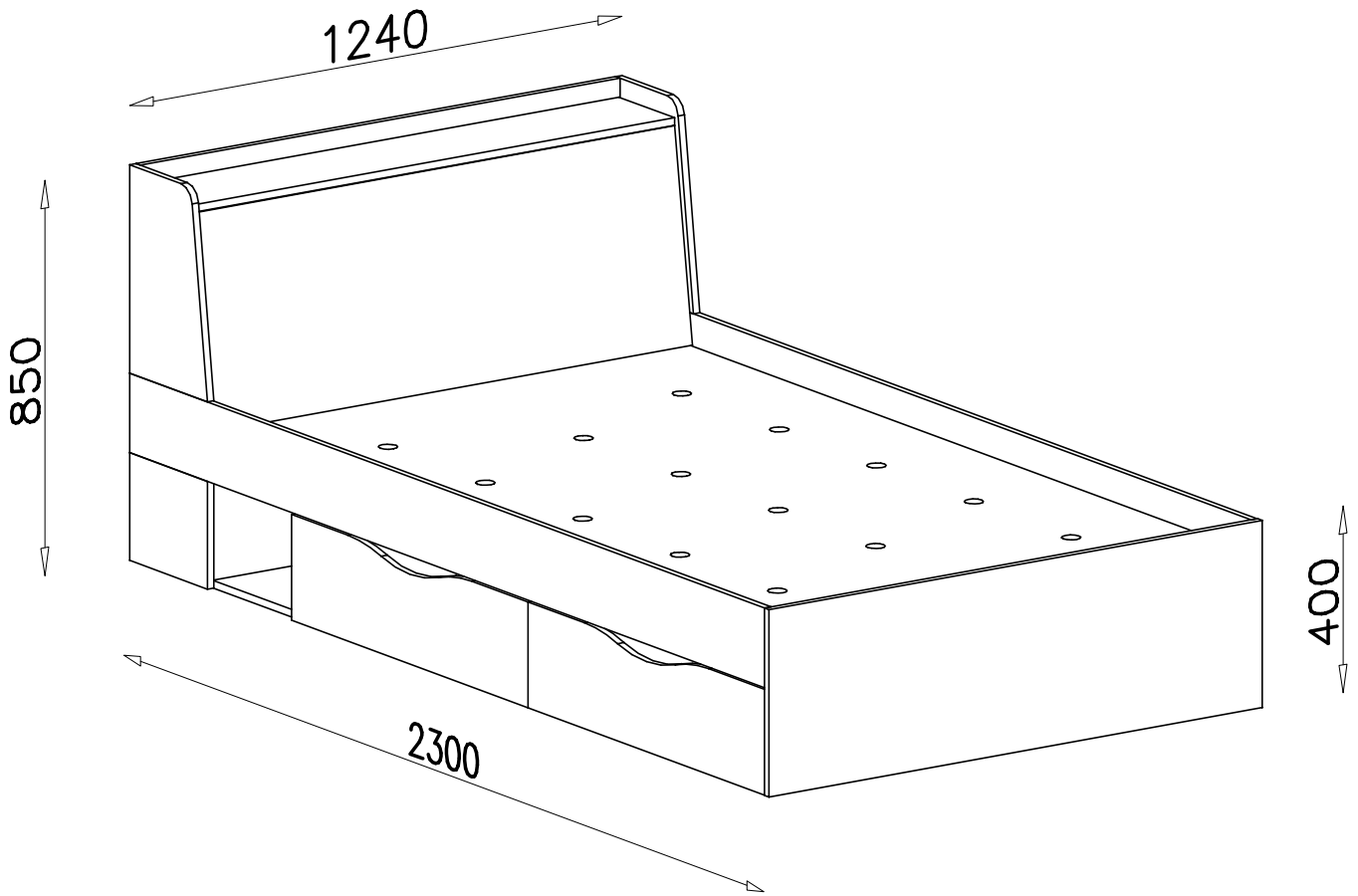
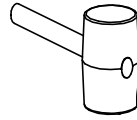
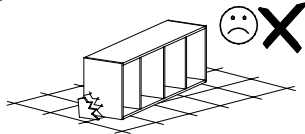
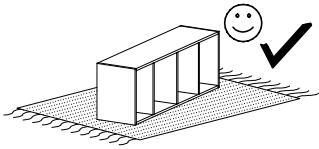
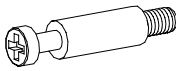
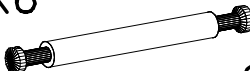
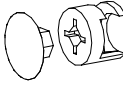
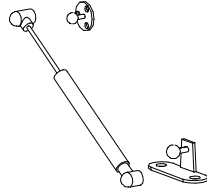
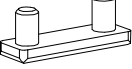


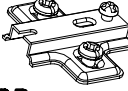


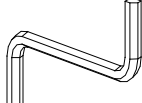
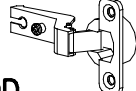

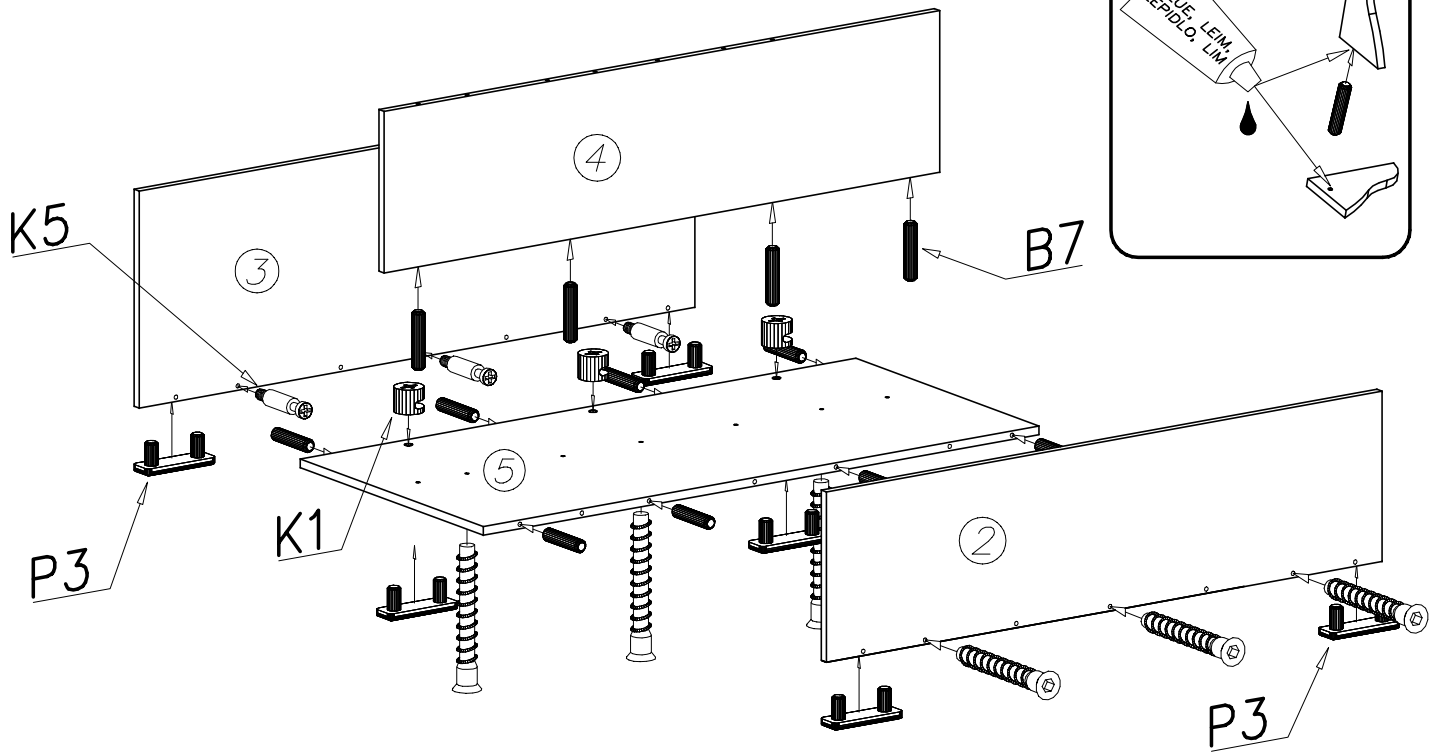


# DELTA DL15

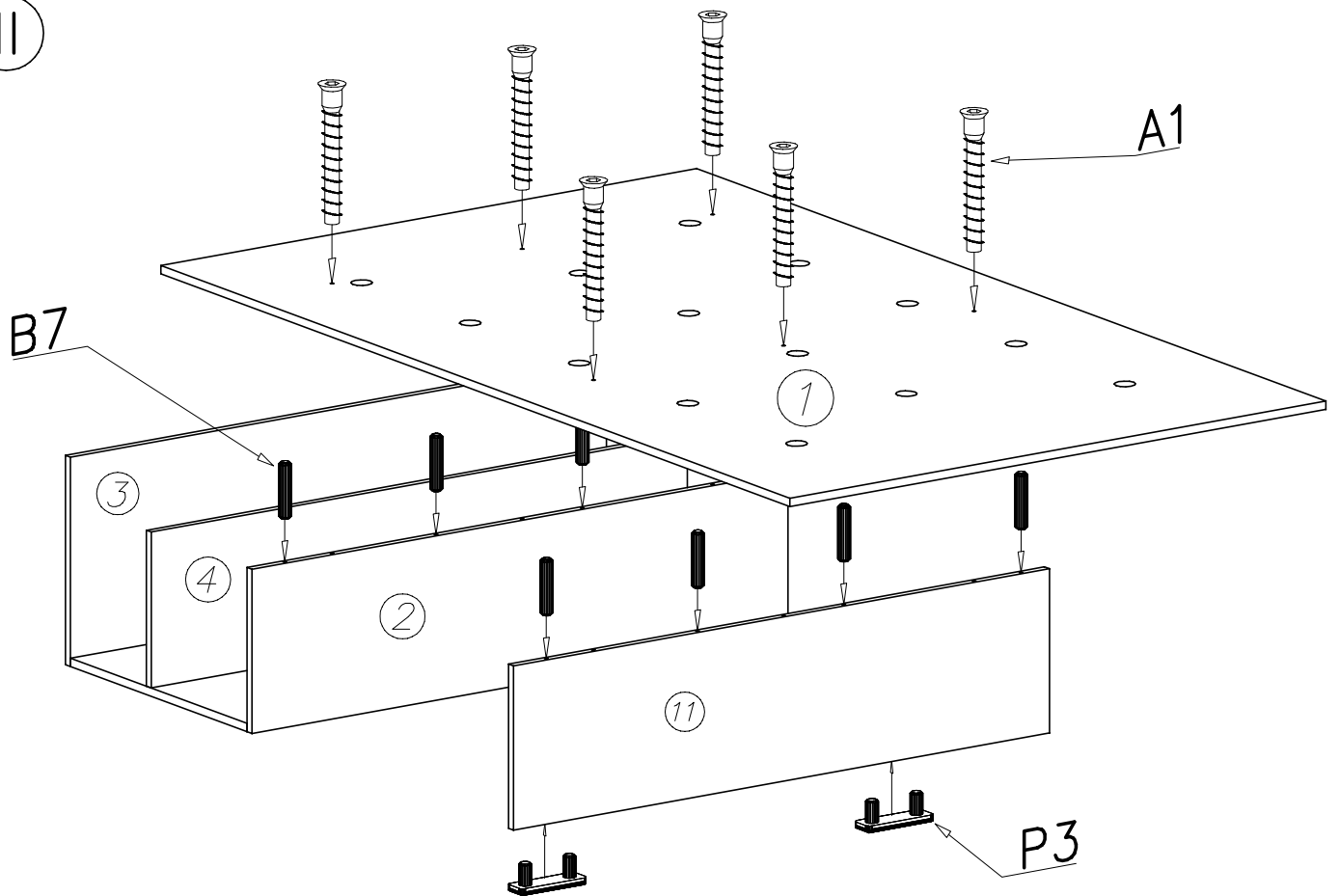


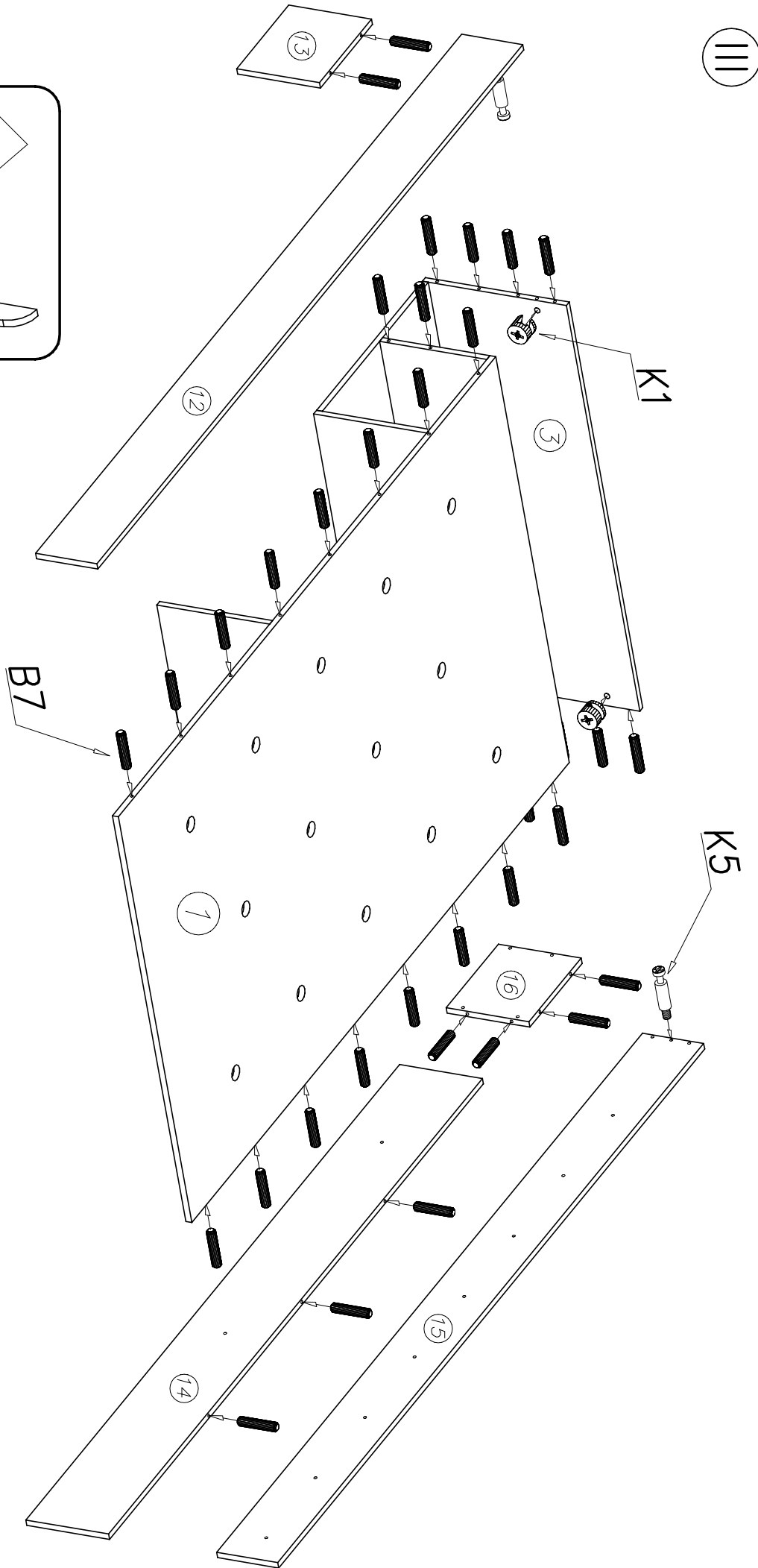
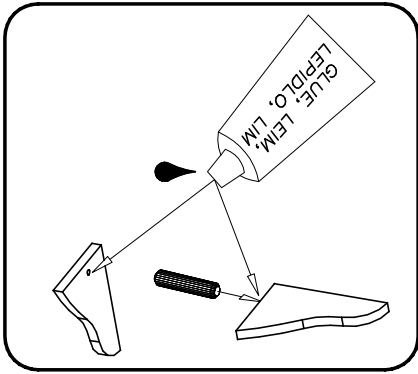
	<b>K5</b>  x16	<b>K6</b>  x2	<b>K1</b>  ø15x12 x20	<b>L8</b>  80N x1
<b>P3</b>  x14	<b>G4</b>  4x16 x20	<b>W1</b>  x1	<b>D4</b>  PZ350D x2	
<b>A1</b>  ø7x50 x30	<b>B7</b>  ø8x30 x127	<b>W2</b>  x1	<b>C4</b>  Z350D x2	<b>P24</b>  x8

I

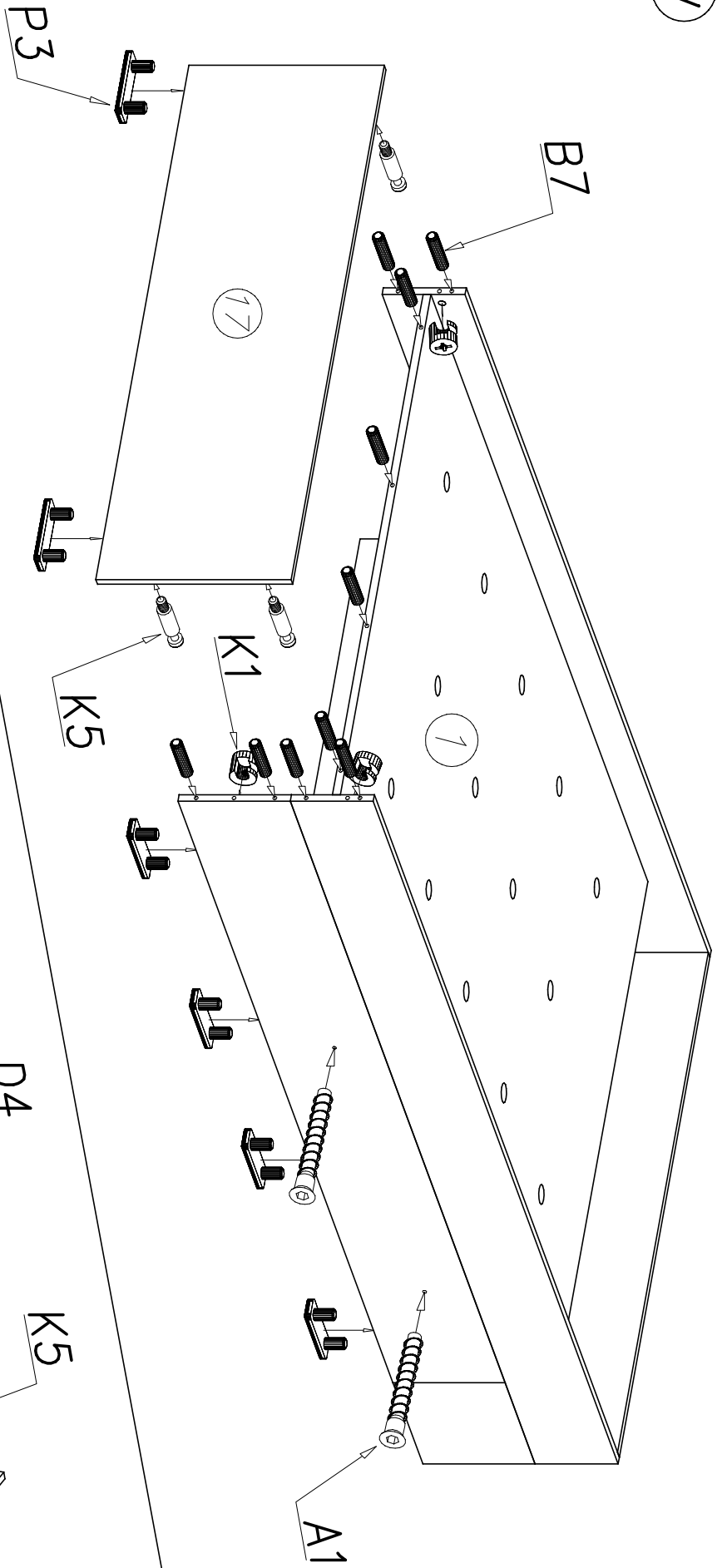


II

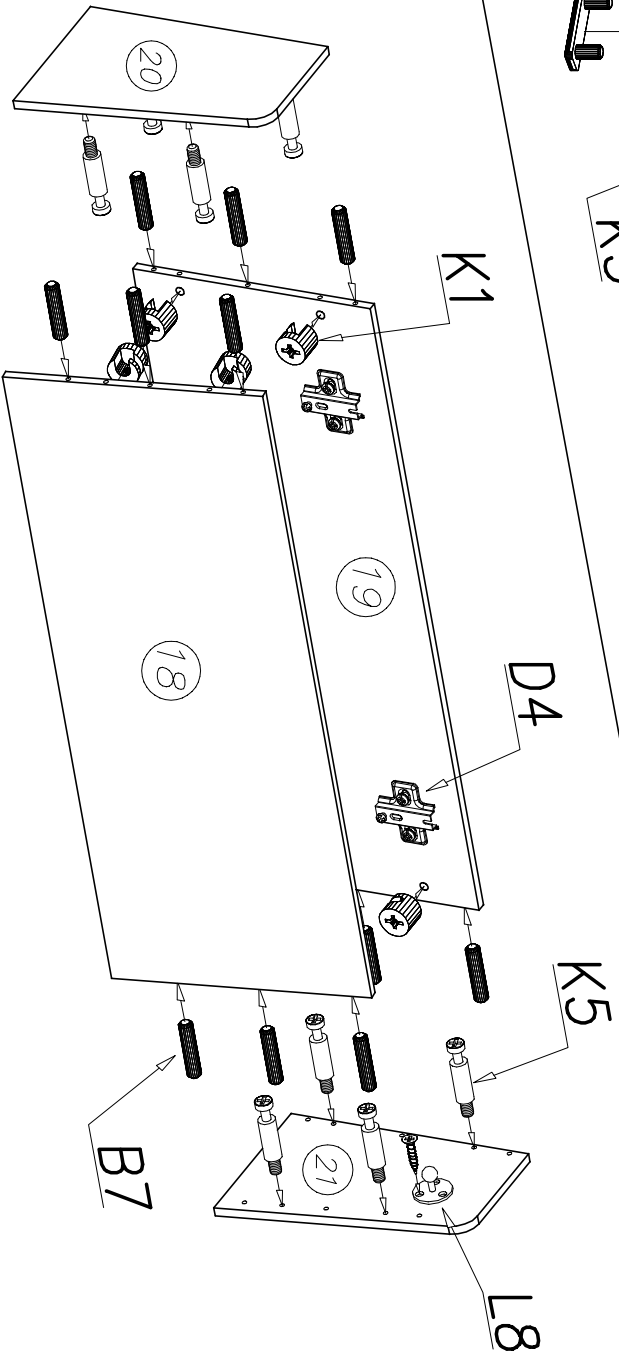




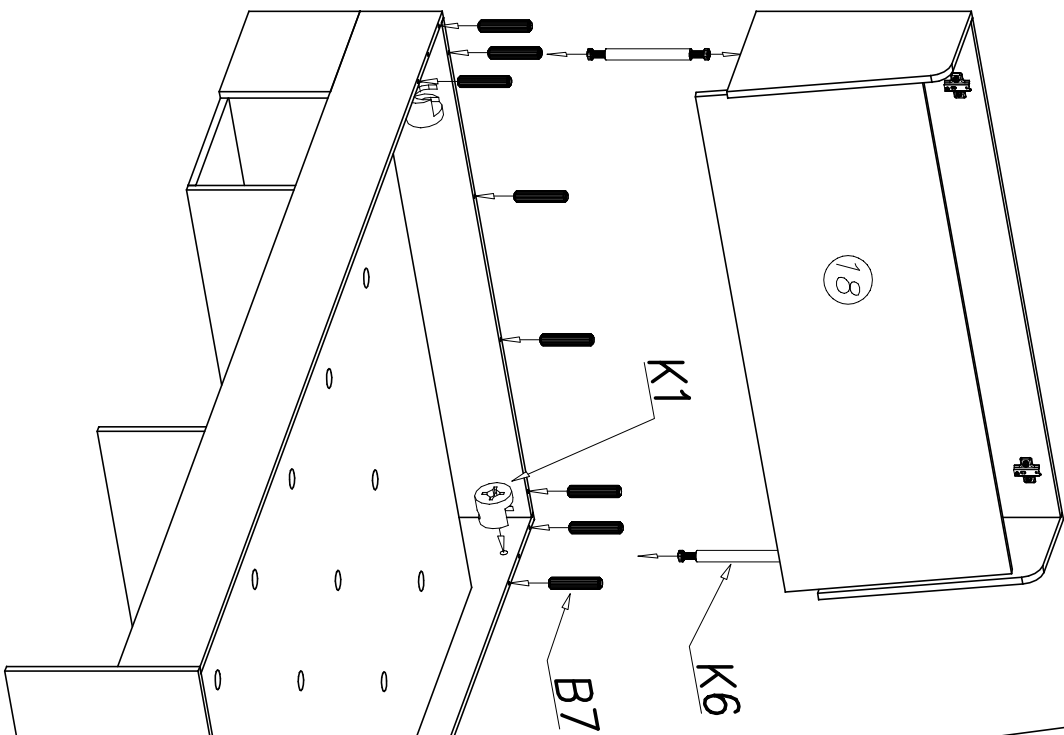
IV



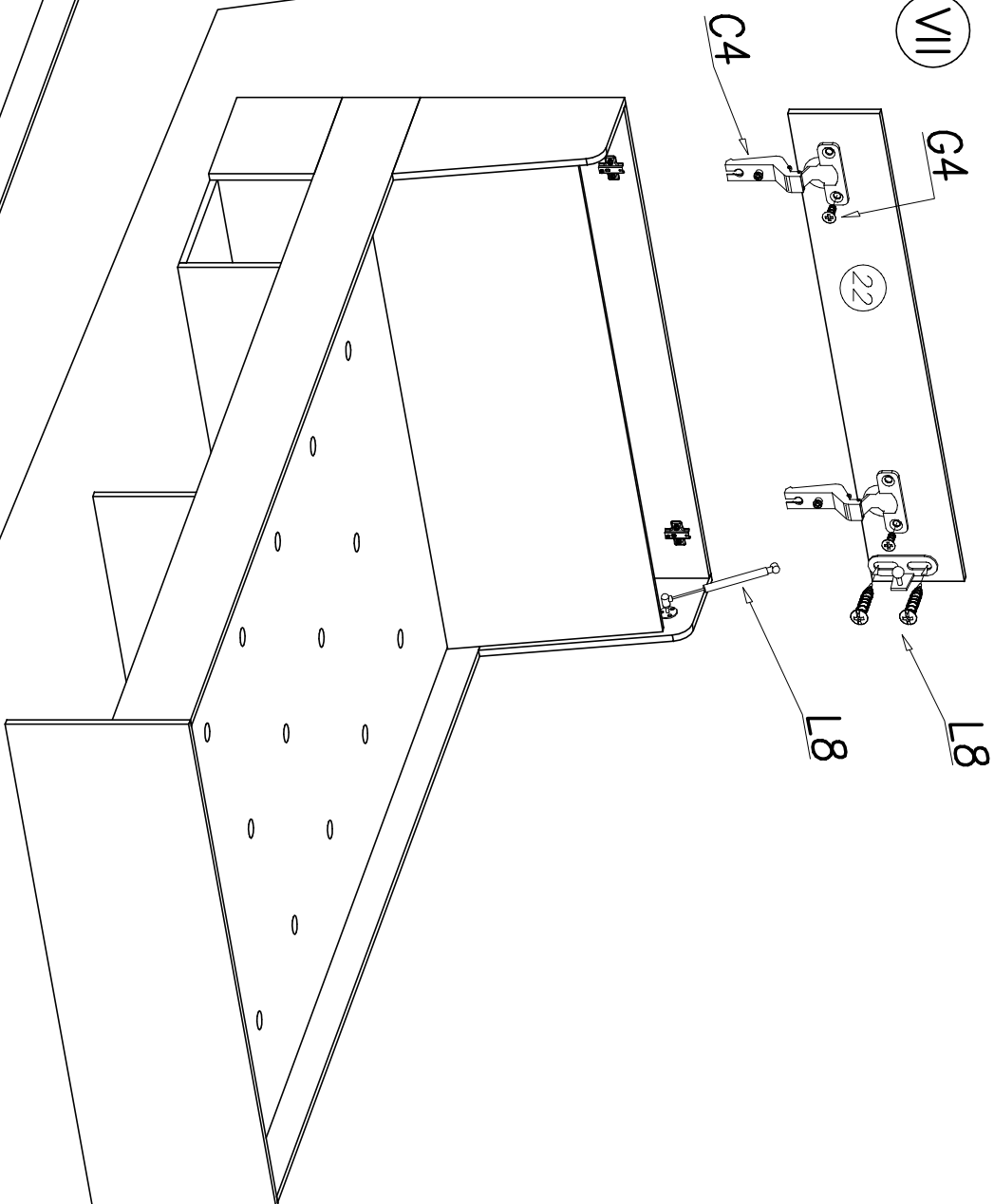
V



VI



VII



VIII

