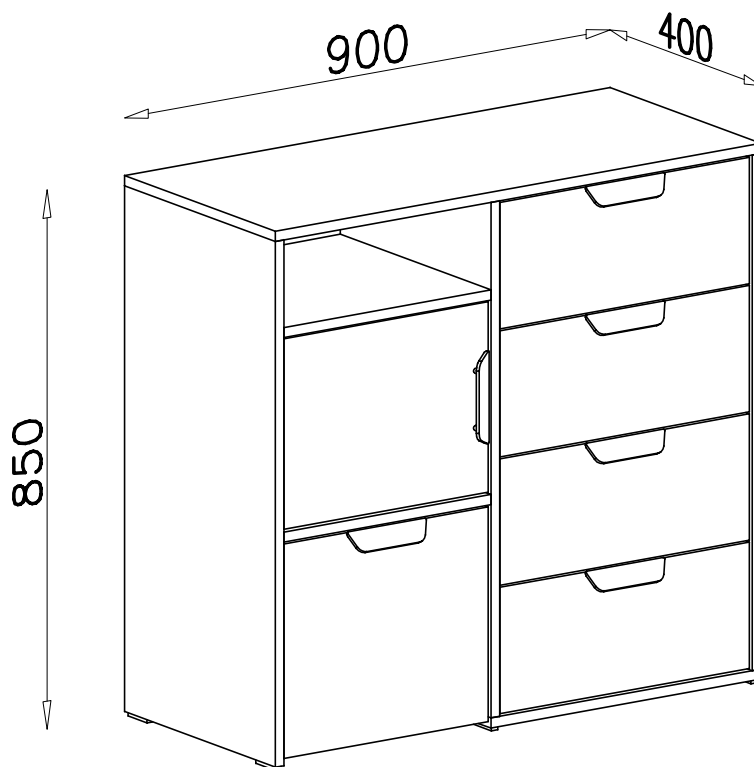
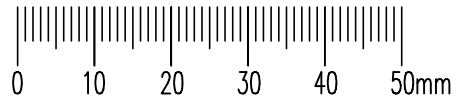
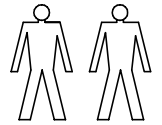
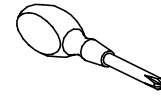
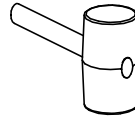
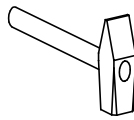
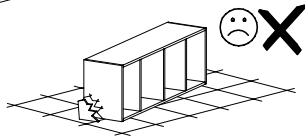
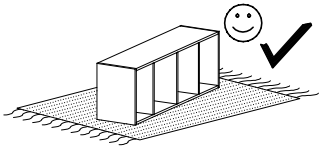
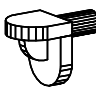
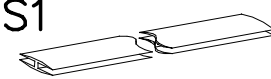




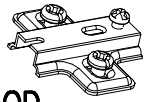
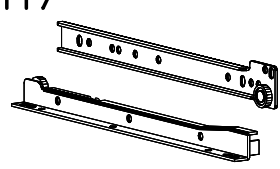
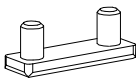
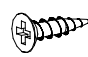

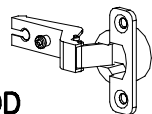
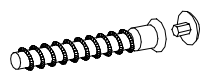

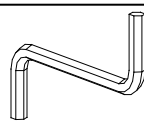

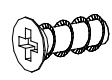
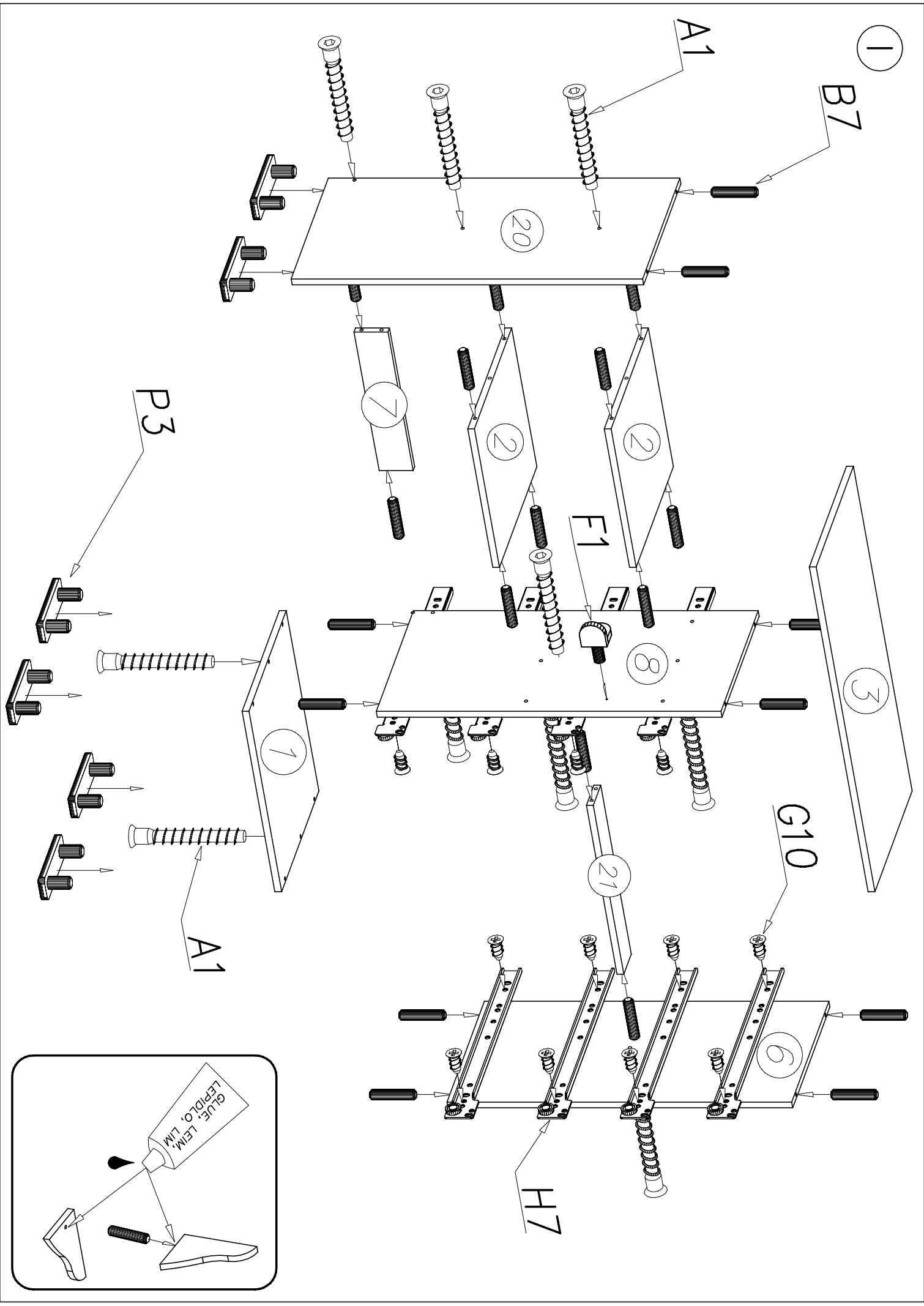


NANO

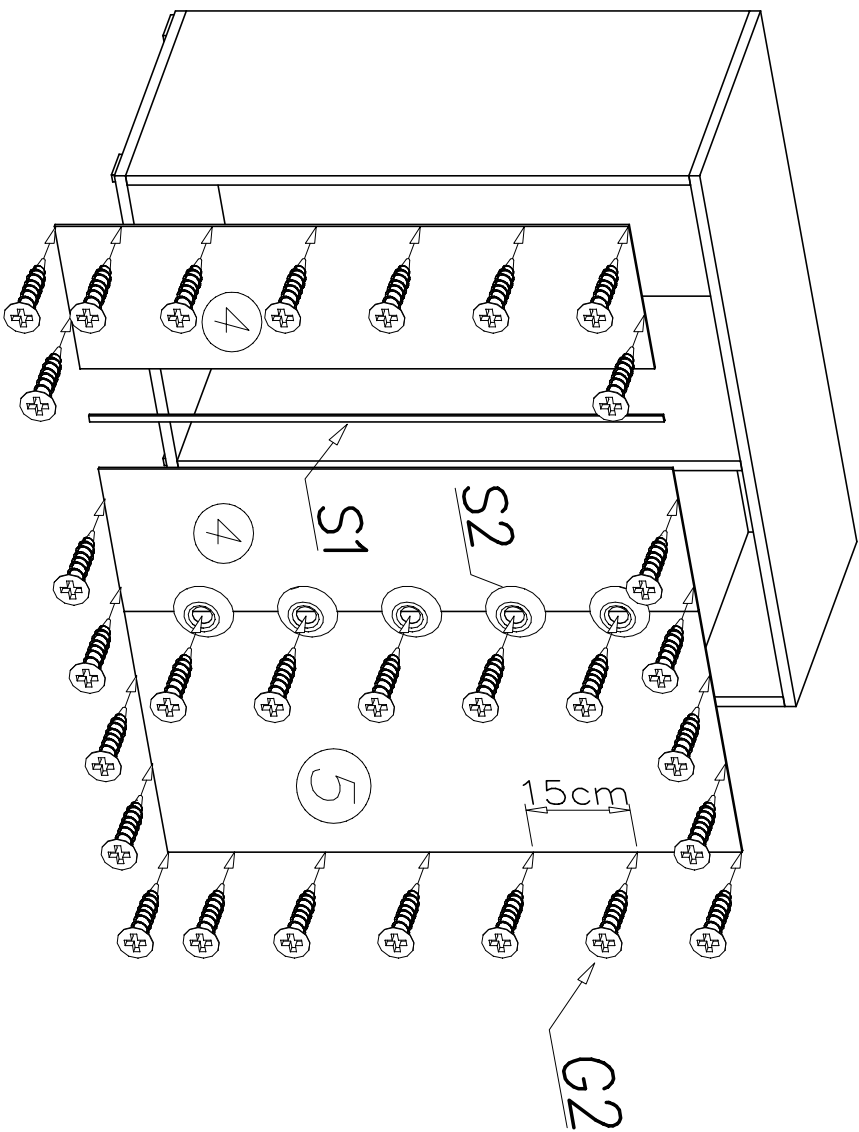
8



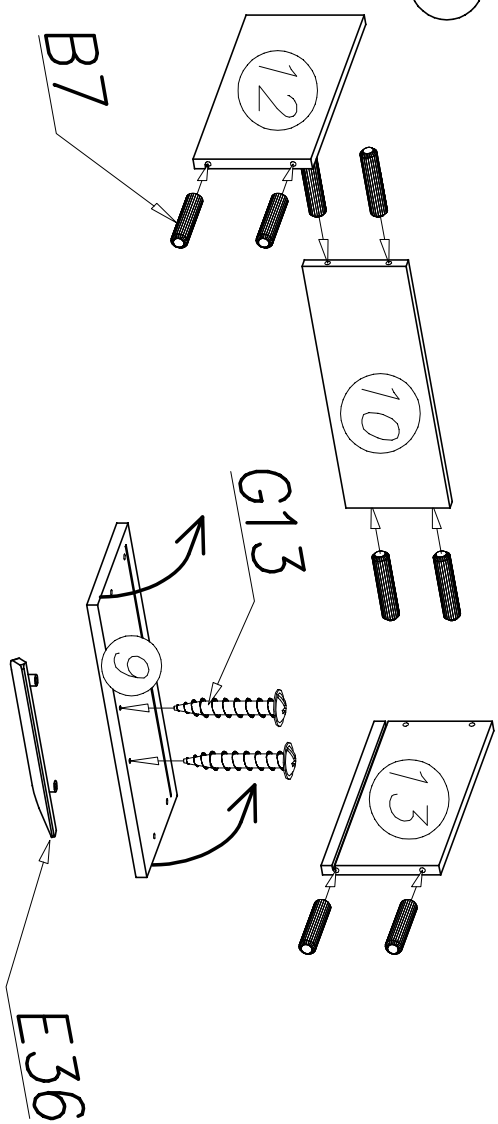
| | | | | |
|--------------------------------------------------------------------------------------------------------|-----------------------------------------------------------------------------------------------------------------------------|--------------------------------------------------------------------------------------------------------|----------------------------------------------------------------------------------------------------------|----------------------------------------------------------------------------------------------------------|
| | | F1  x1 | S1  810mm x1 | S2  x6 |
| E36  x6 | W1  GLUE, LEIM, LEPIDLO, LIM x3 | G13  4x22 x12 | D4  PZ350D x2 | H7  350mm x4 |
| P3  x6 | G4  4x16 x44 | G2  3x20 x50 | C4  Z350D x2 | |
| A1  ø7x50 x15 | B7  ø8x30 x73 | W2  x1 | P7  x4 | G10  6x13 x16 |



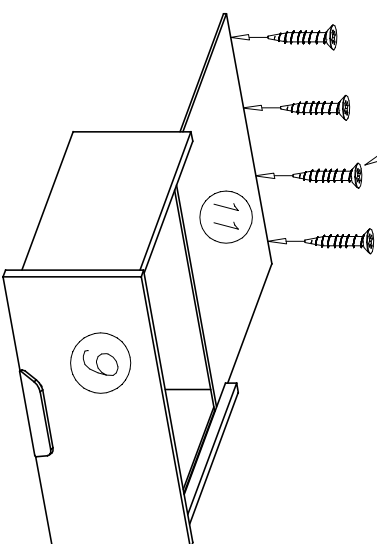
II



III

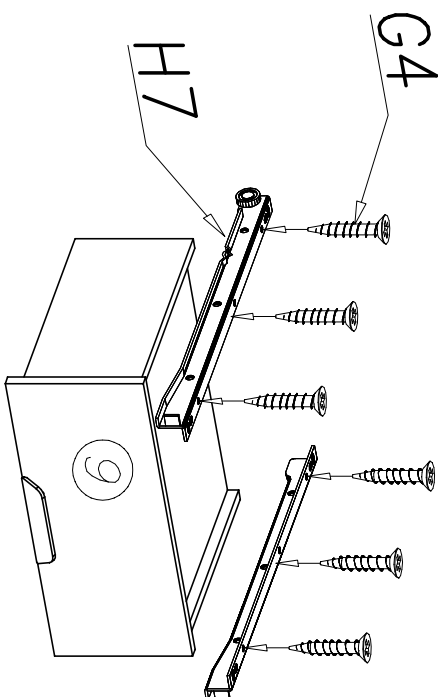


G2

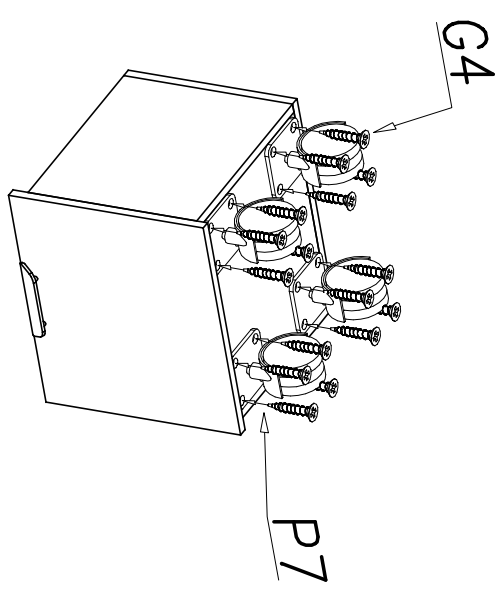
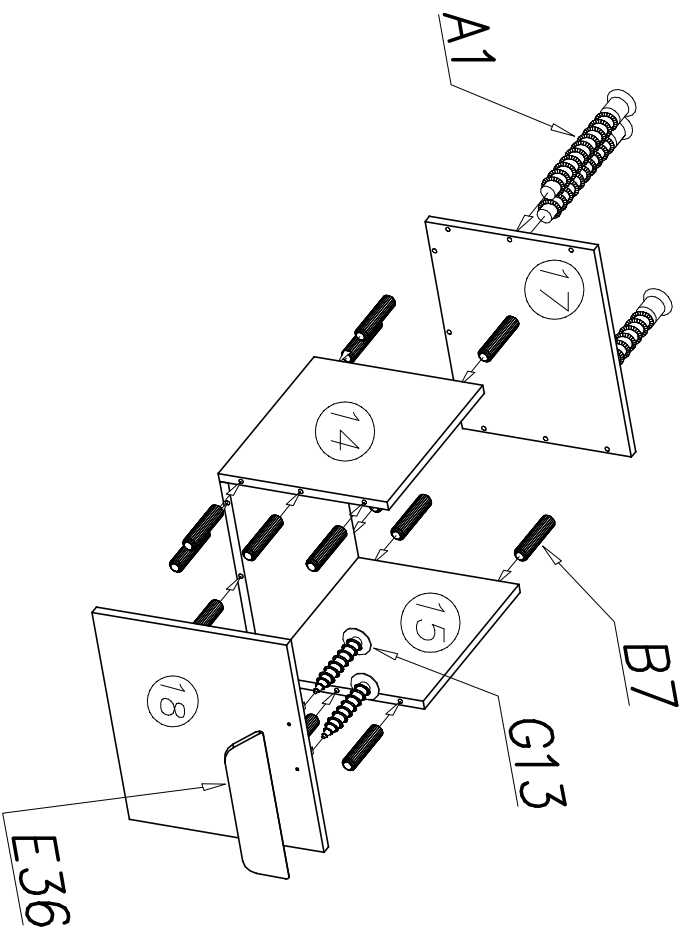
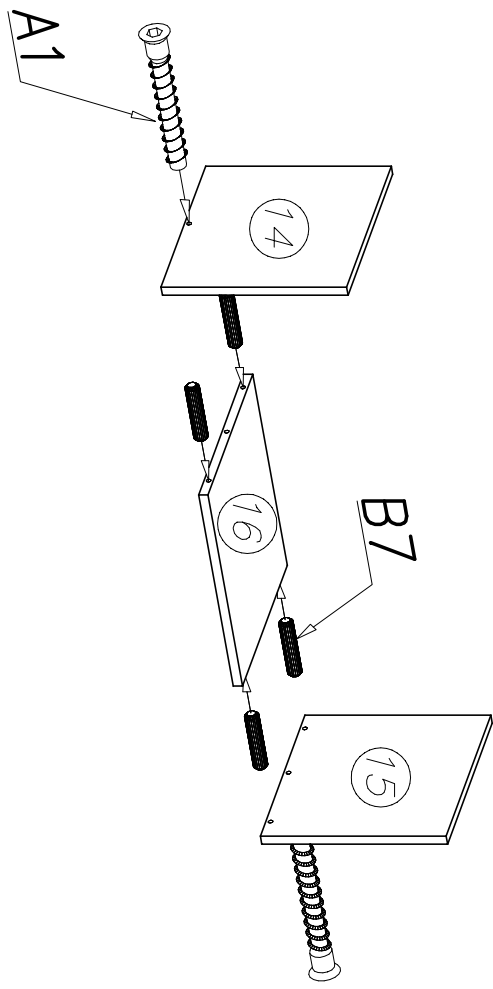


G4

H7



IV



V

