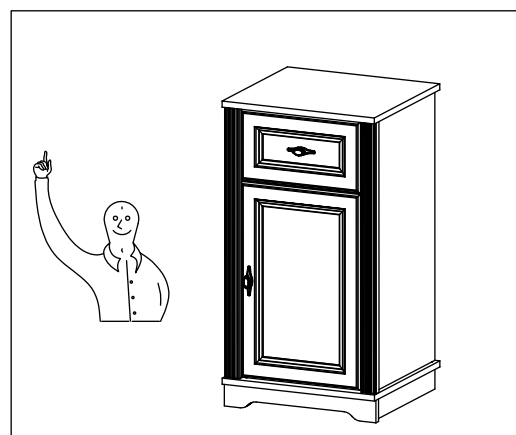
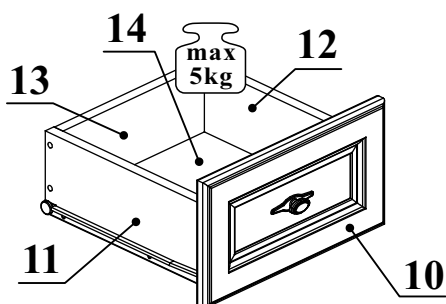
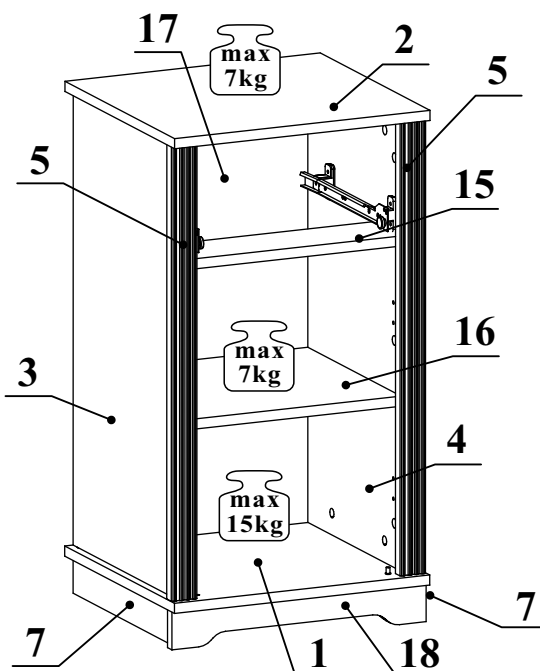
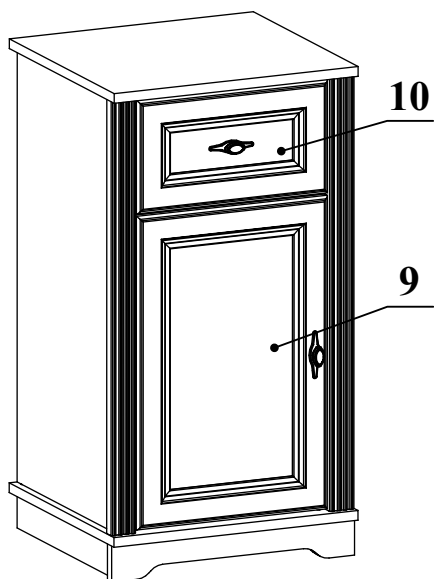
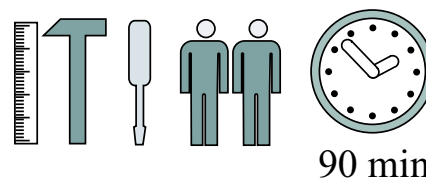


PALACE RIVIERA KJ 810



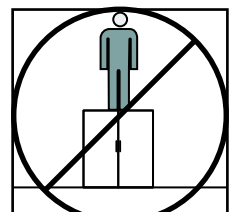
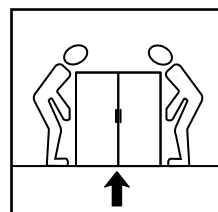
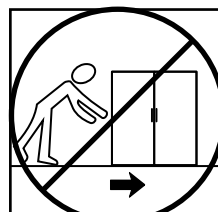
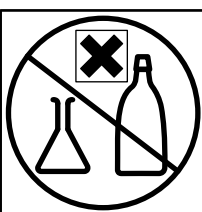
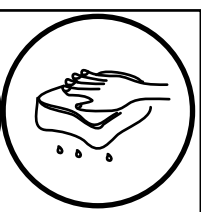
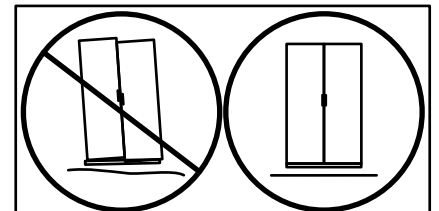
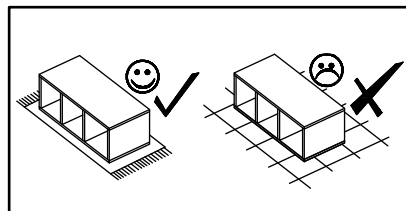
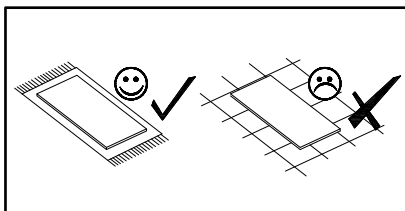
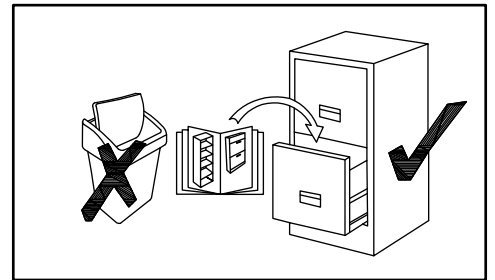
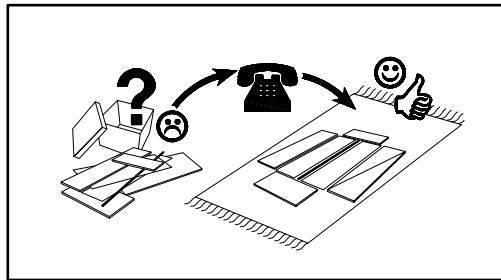
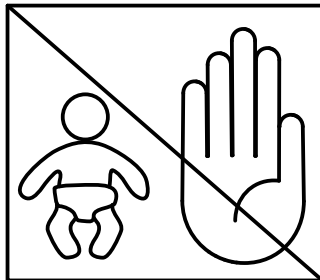
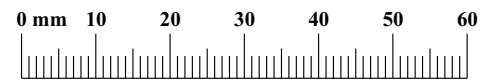
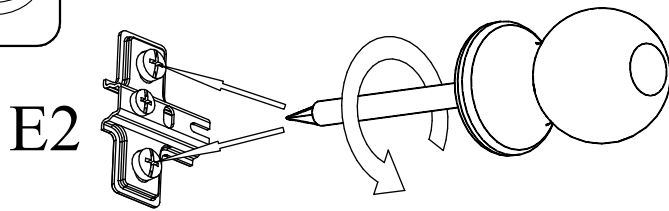
NO	Dim.		Col.-No	Qty
1	430	400	1	1
2	430	400	1	1
3	716	370	1	1
4	716	370	1	1
5	716	43	1	2
7	373	60	1	2
9	517	336	1	1
10	336	187	1	1
11	300	120	1	1
12	300	120	1	1
13	263	100	1	1
14	304	274	1	1
15	370	100	1	1
16	370	340	1	1
17	727	381	1	1
18	428	60	1	1



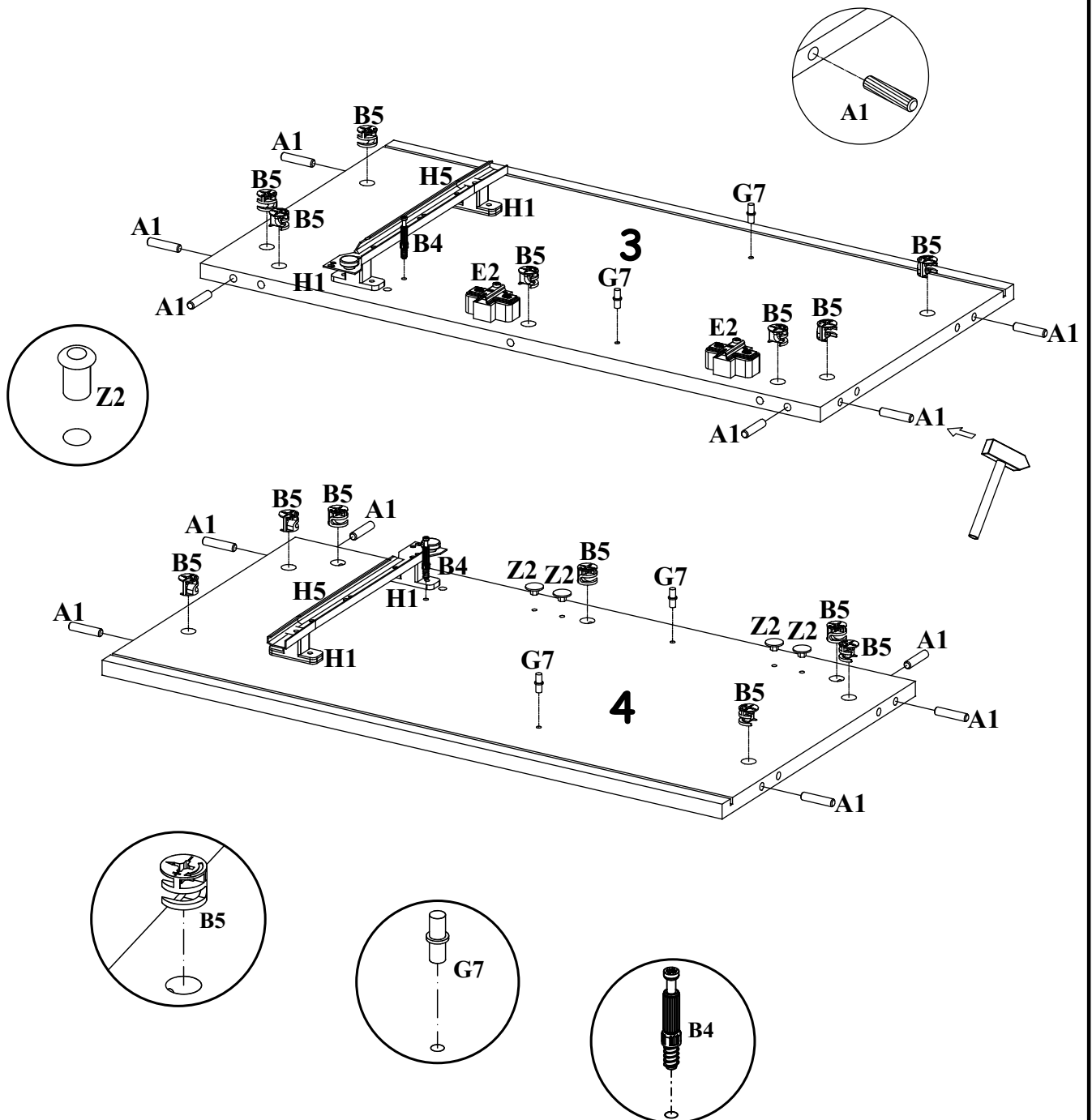
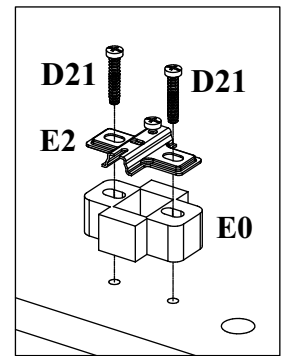
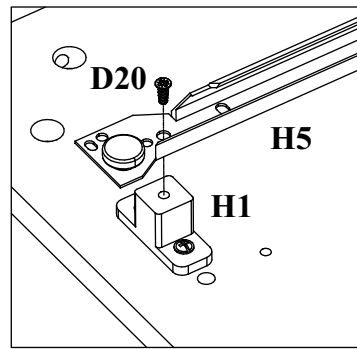
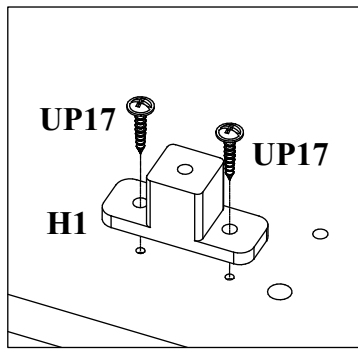
90 min

PALACE RIVIERA KJ 810

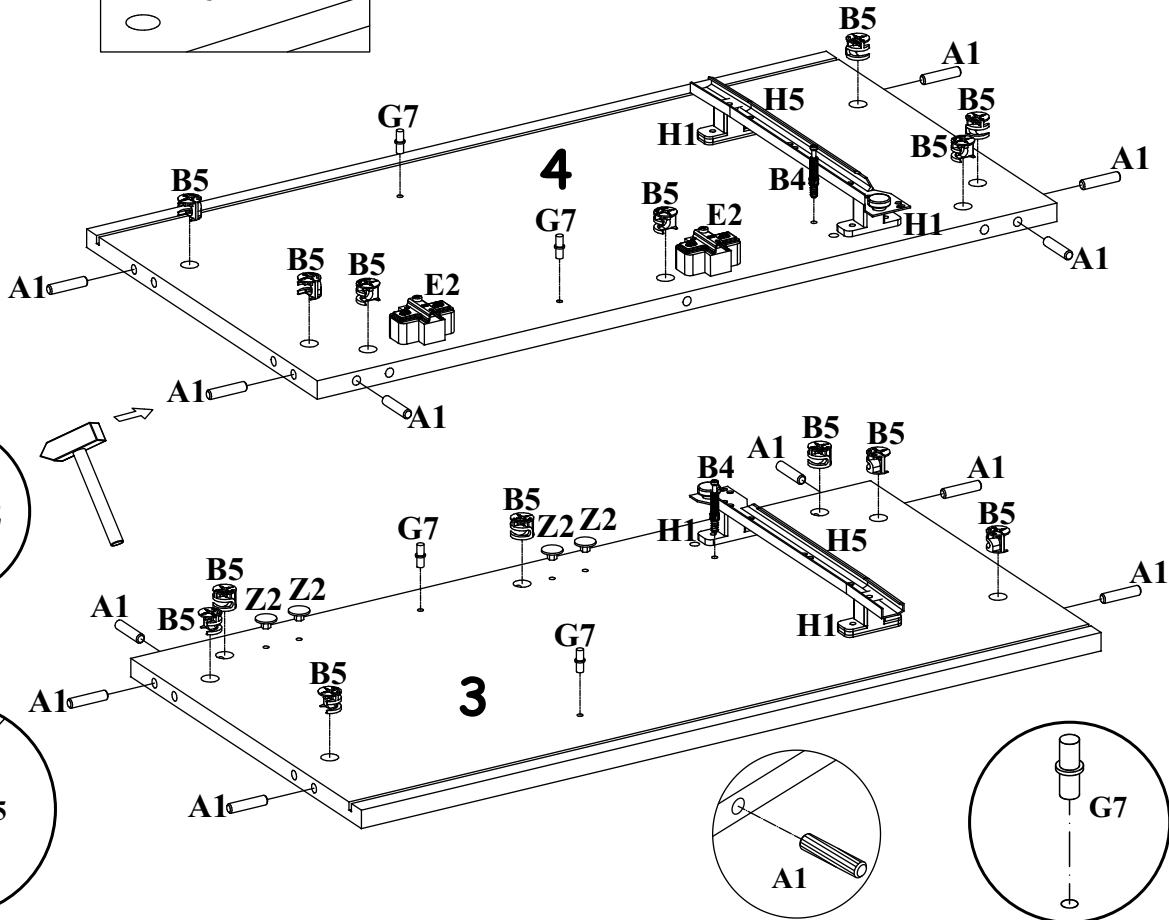
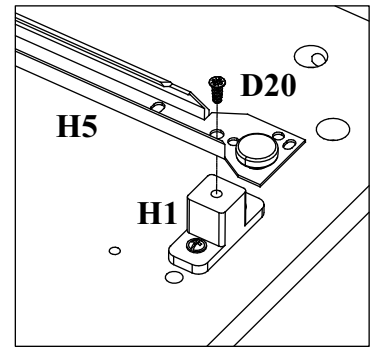
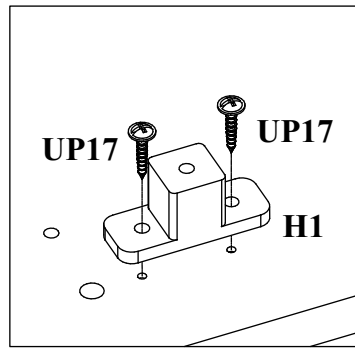
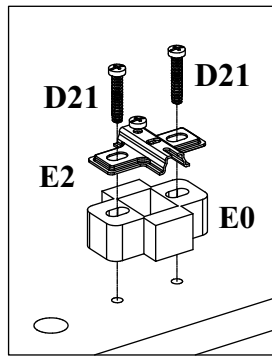
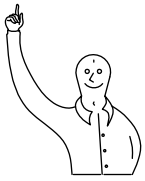
A1 X22 ø8x36	B4 X18	B5 X18 ø15x12	G5 X18	G20 X1	G2 X1
E5 X2 H=16	E2 X2 H=0	S1 X7	D10 X12 USØ3,5x13	G7 X4	H5 X1
UP13 X3 UPØ3x16	B11 X8 Ø7x50	G4 X4	H1 X4	E0 X2	D20 X4 ESØ6x9,5
GG42 X2 GG42+SD07	D5 X1 M4x25	D32 X1 M4x43	D21 X4 EWØ6,3x30	KM1 X2	UP17 X8 UPØ4x16
P1 X1 Ø14x2.6	Z2 X5 Ø5	I2 X4			



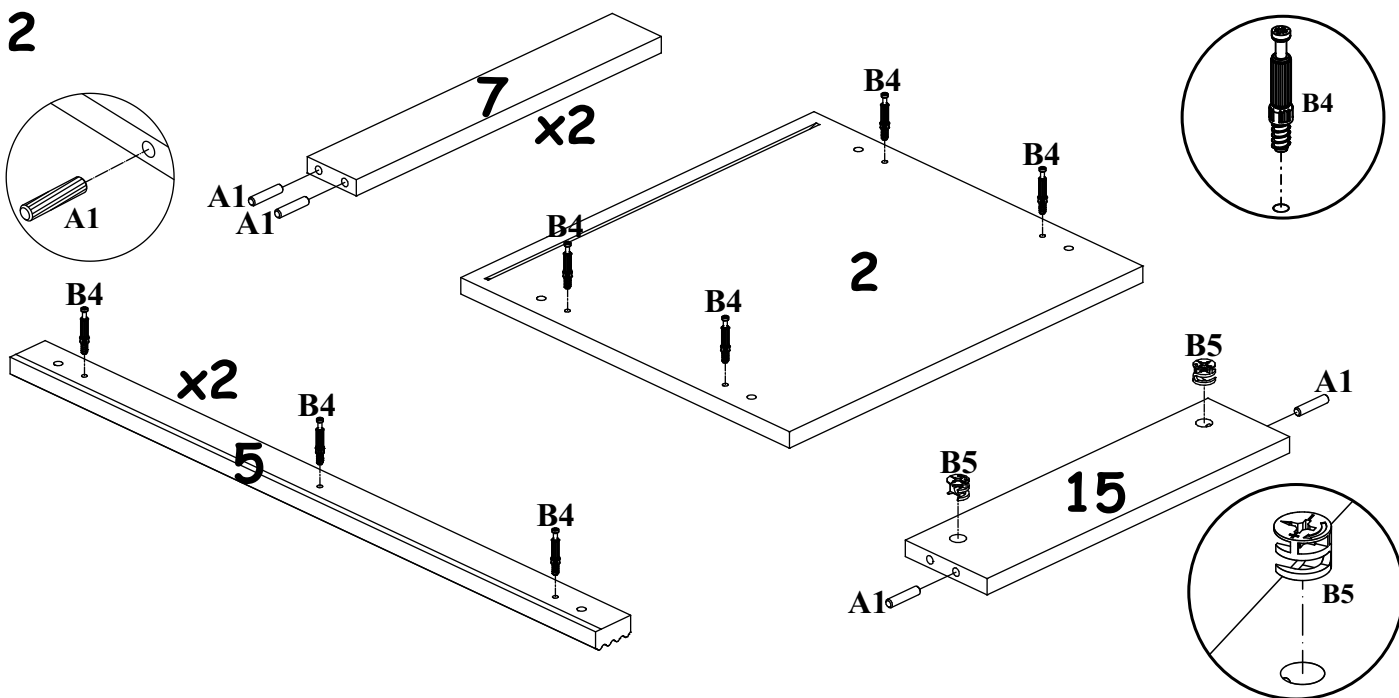
1



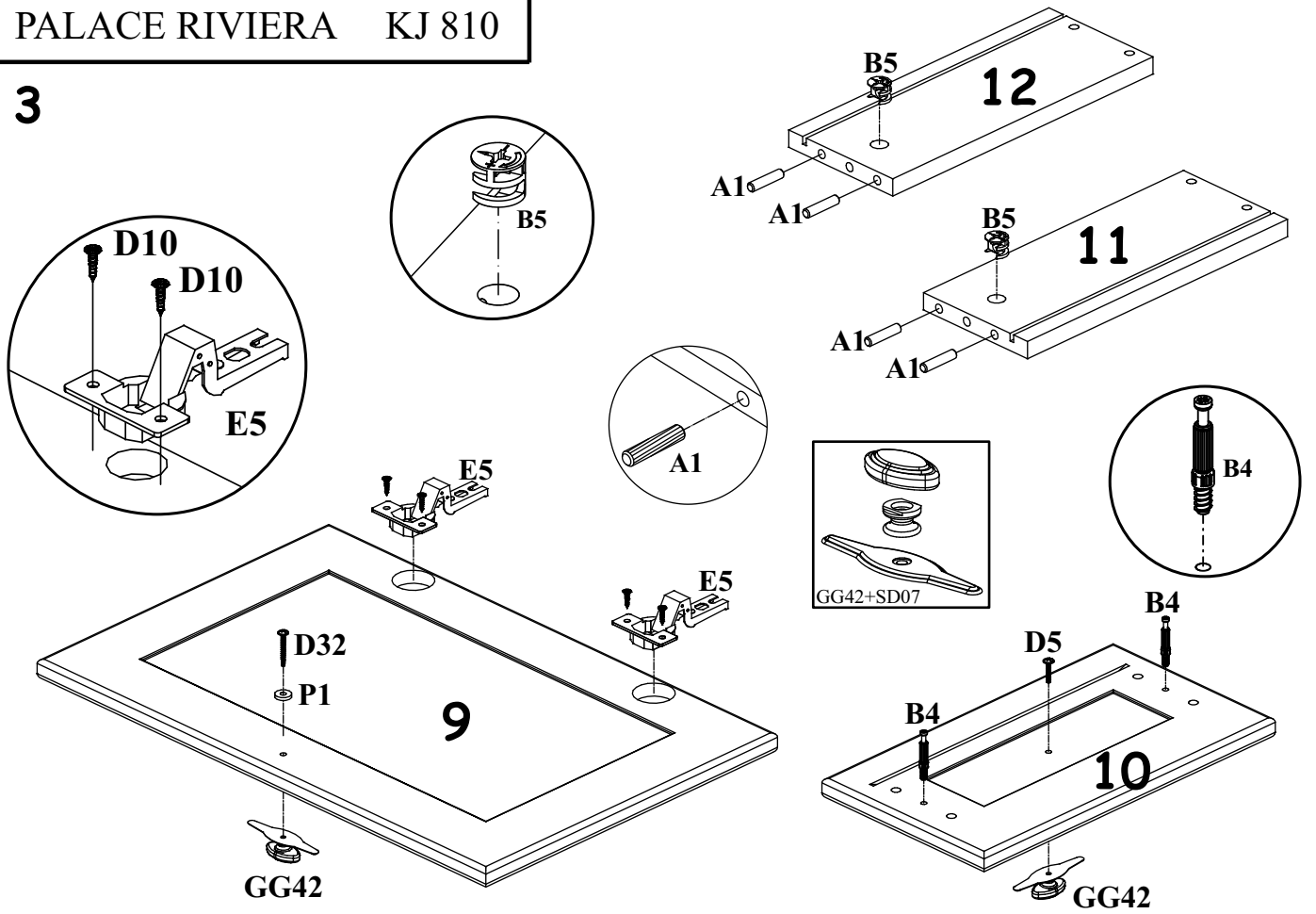
1



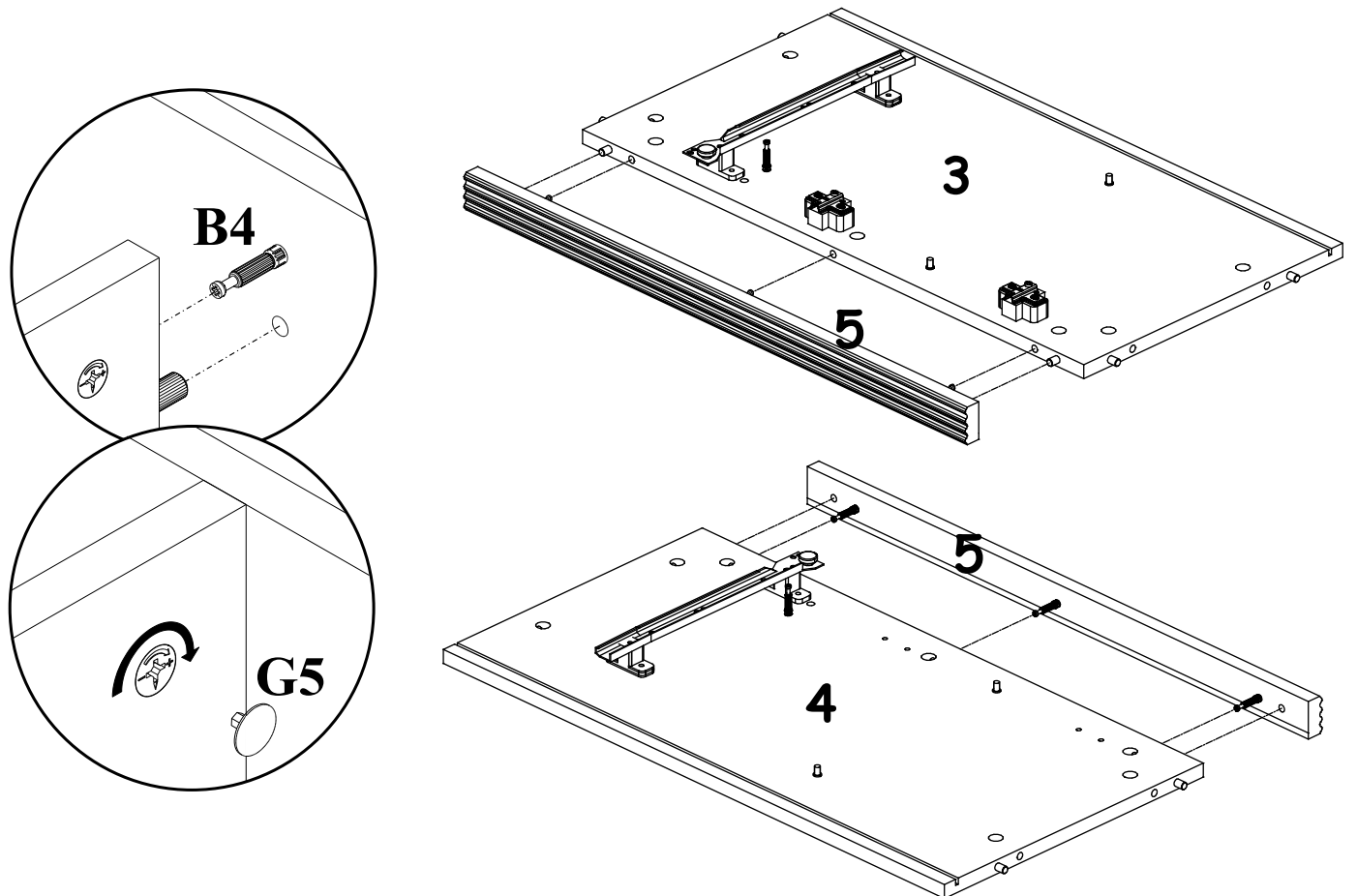
2



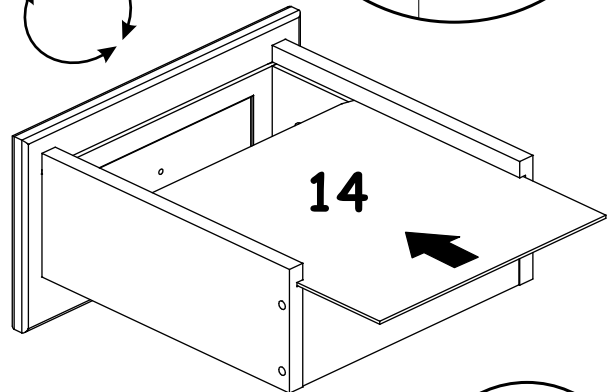
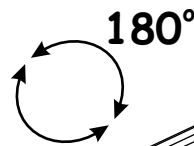
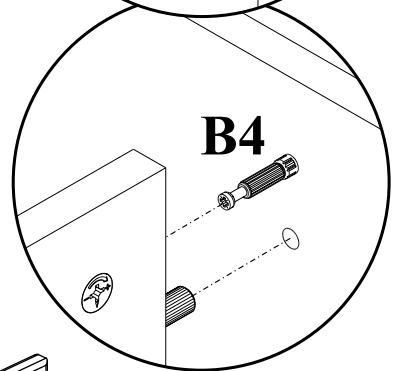
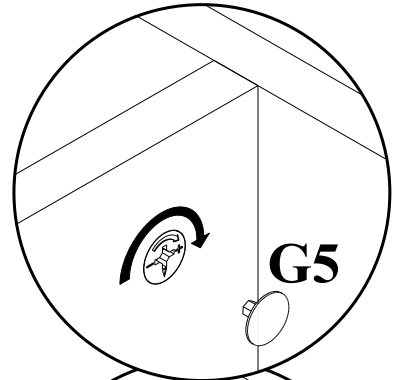
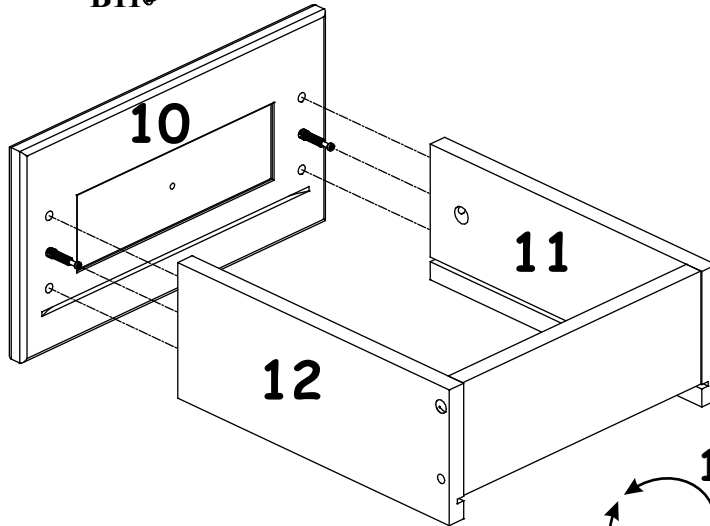
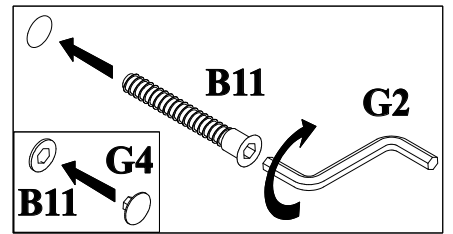
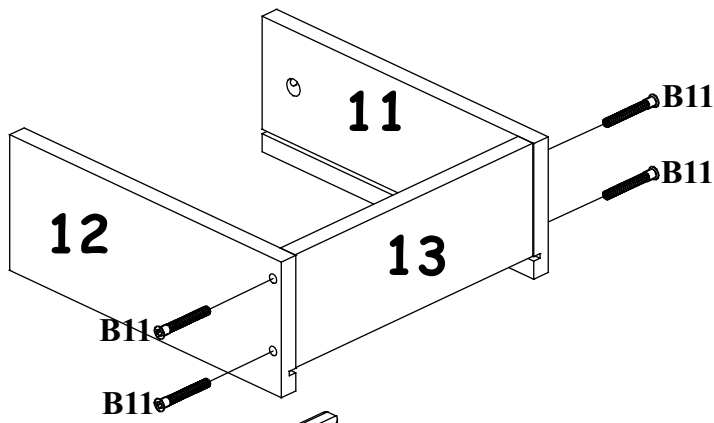
3



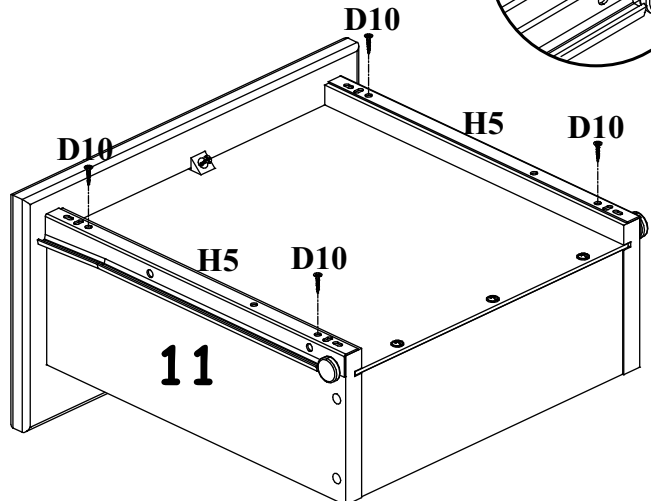
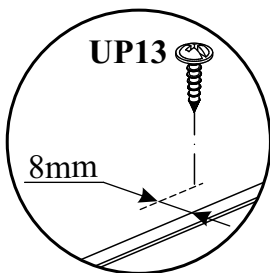
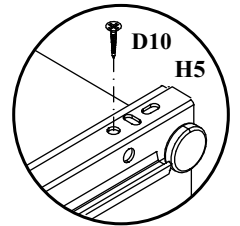
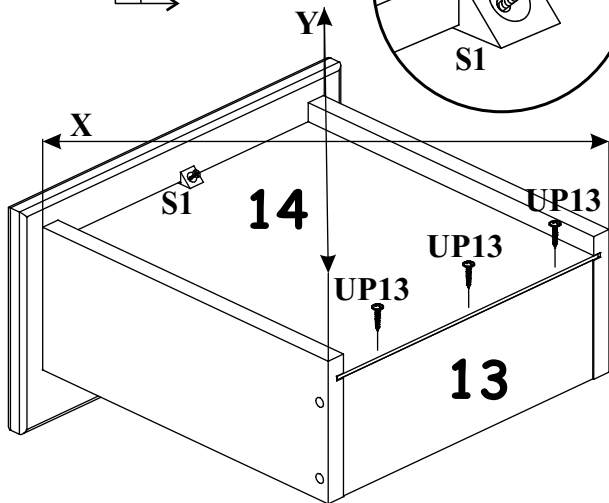
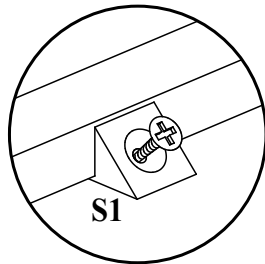
4



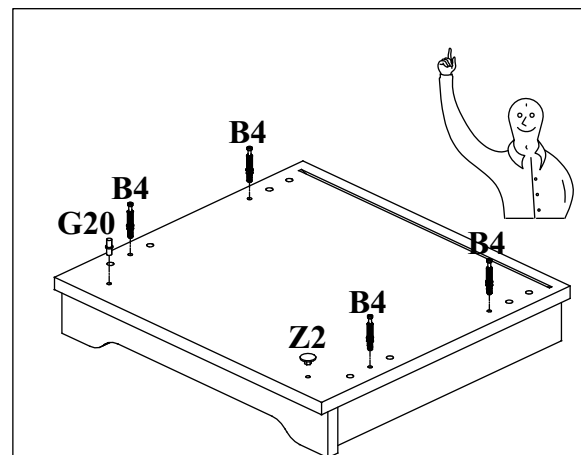
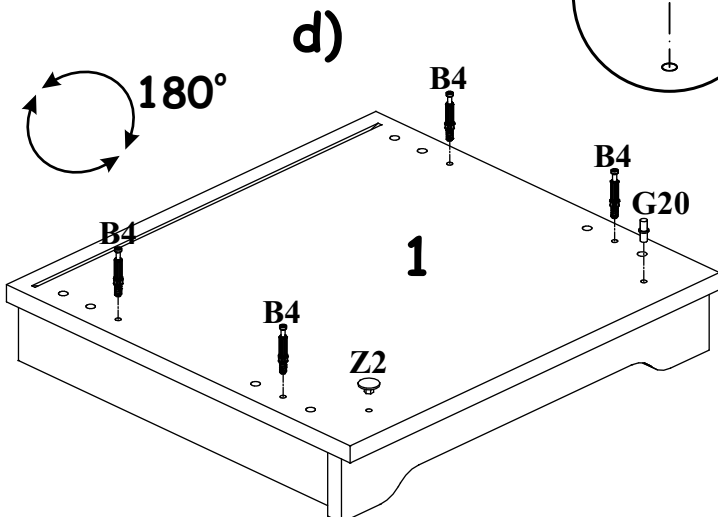
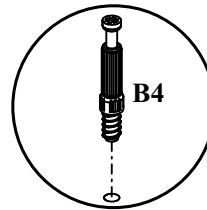
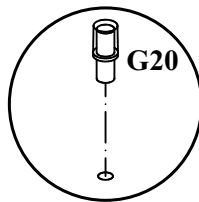
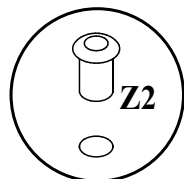
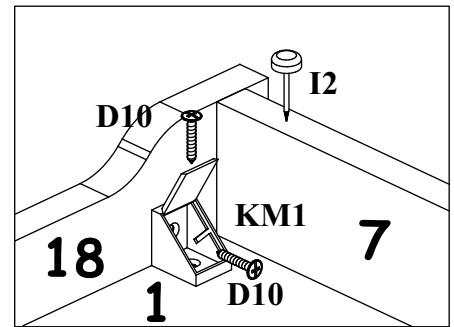
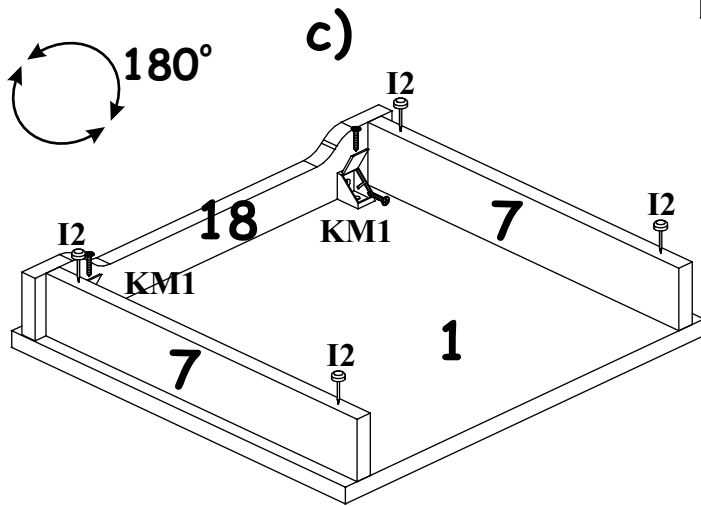
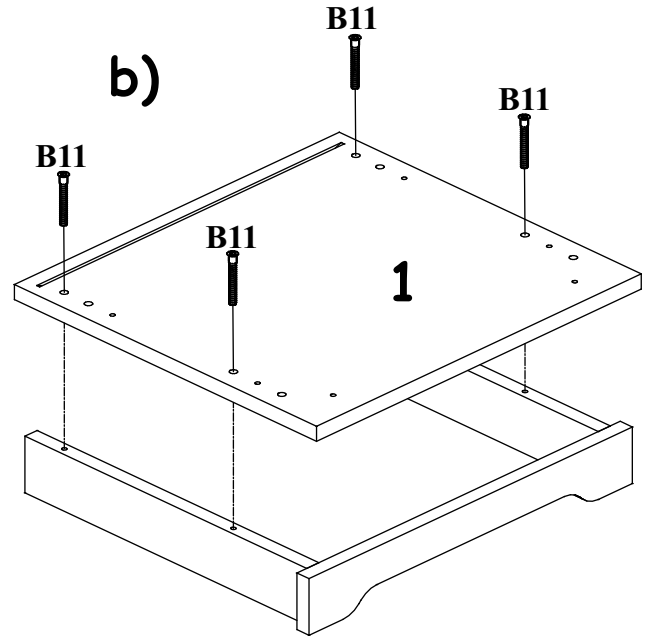
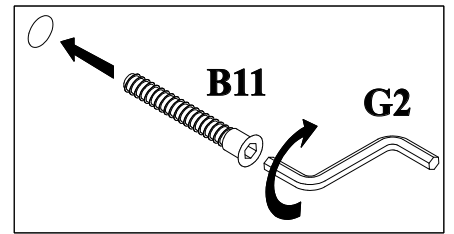
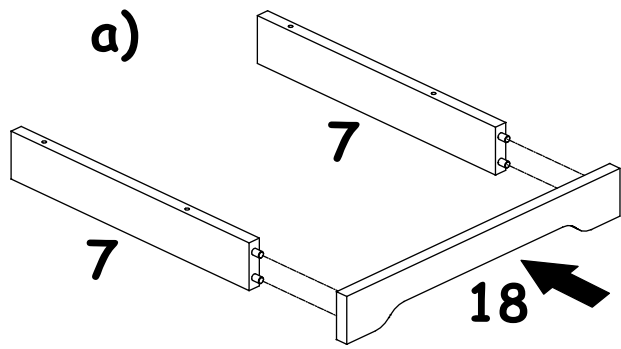
5



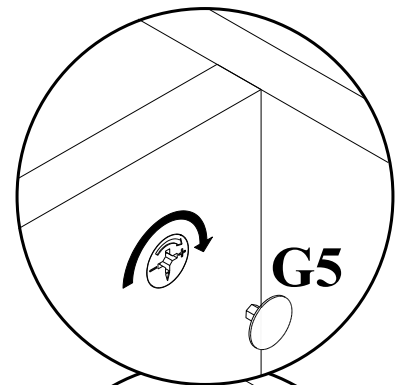
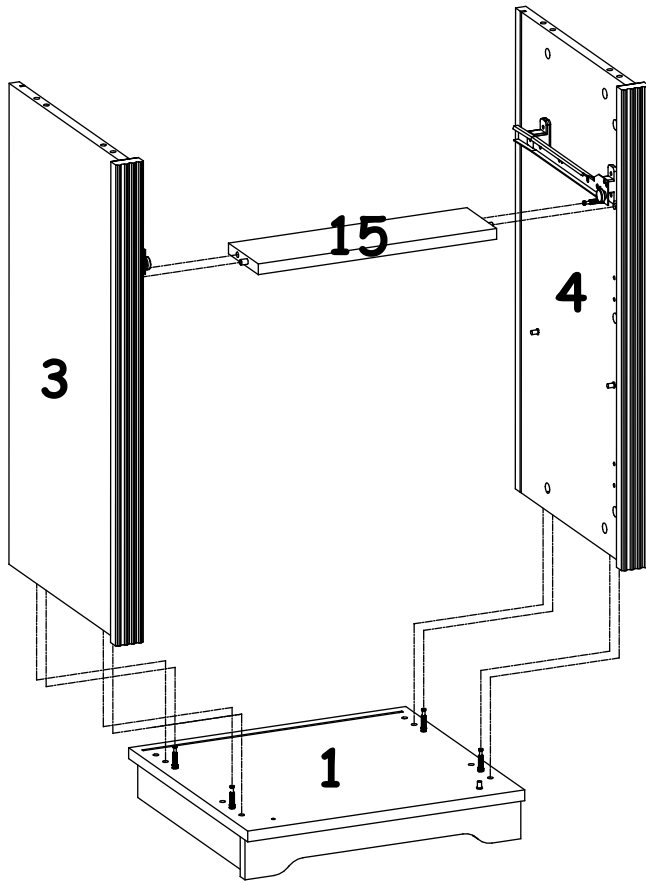
X=y 90°



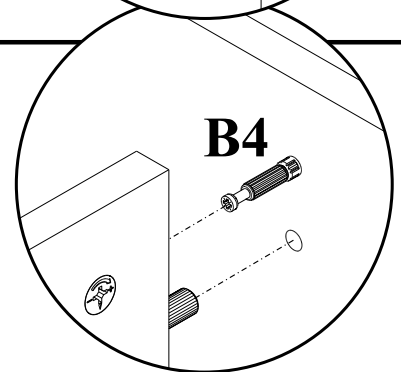
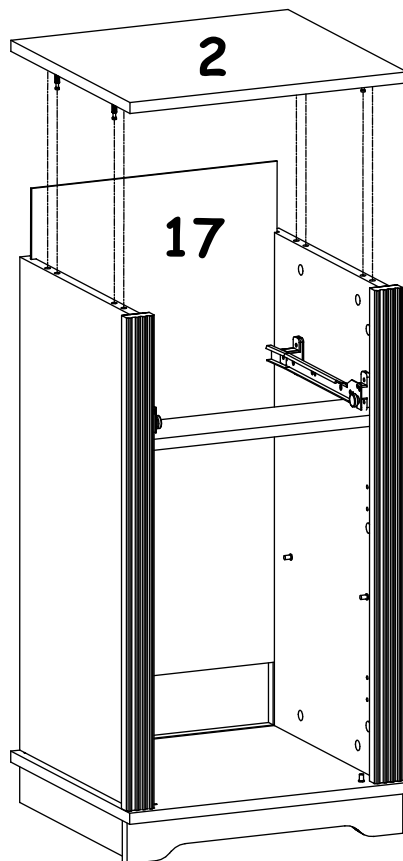
6



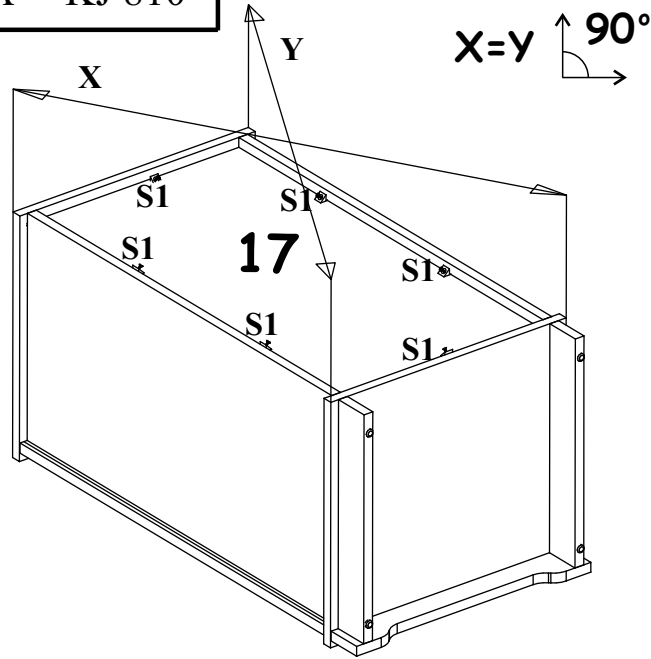
7



8



9



10

