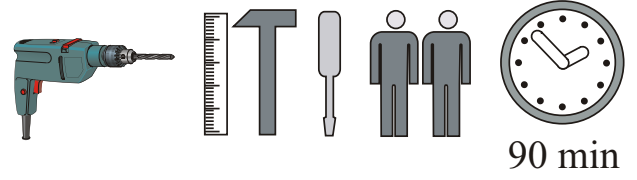
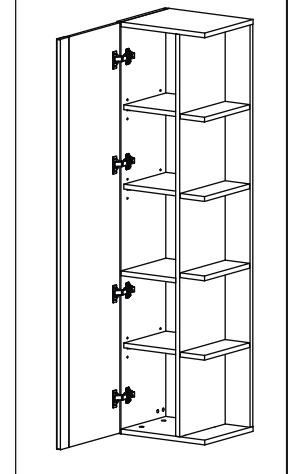
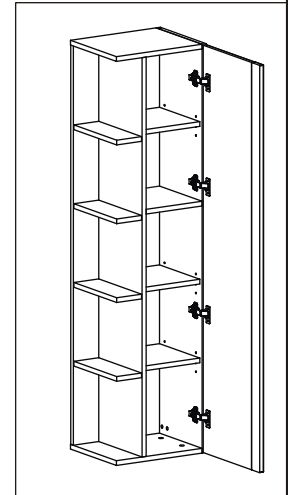
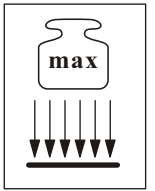
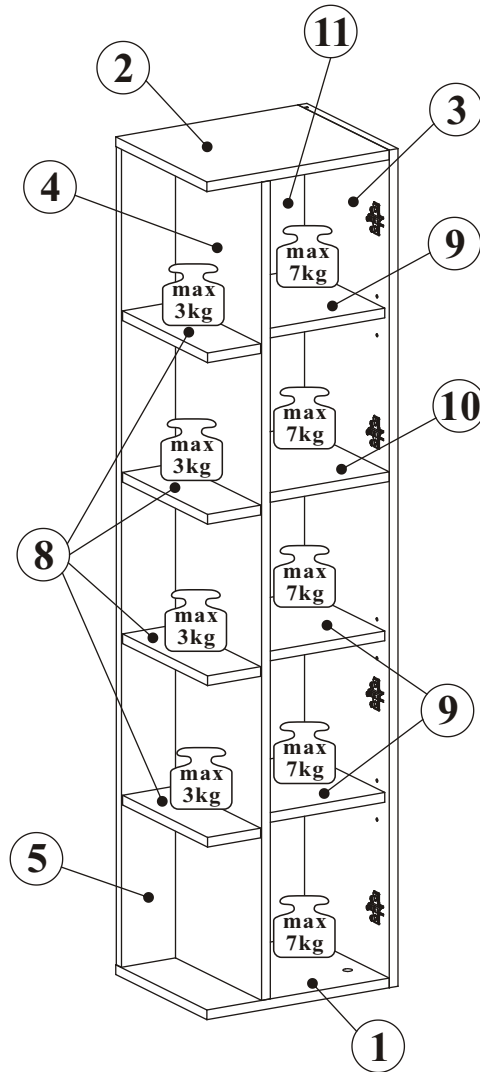
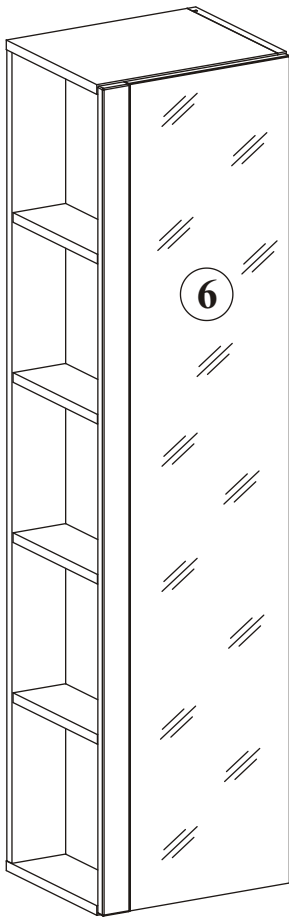
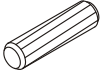
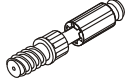




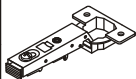


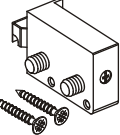
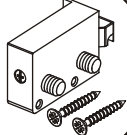

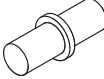
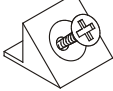





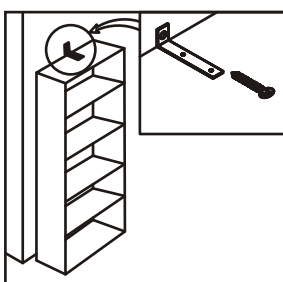
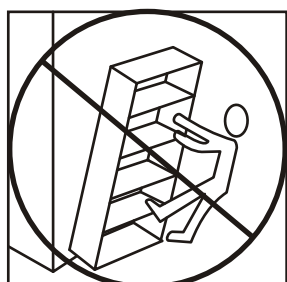
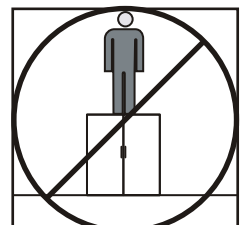
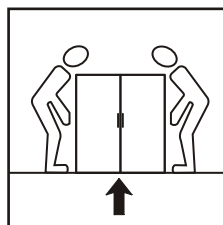
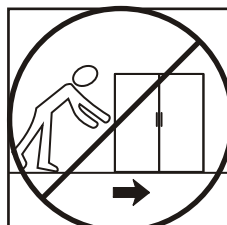
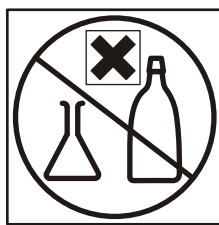
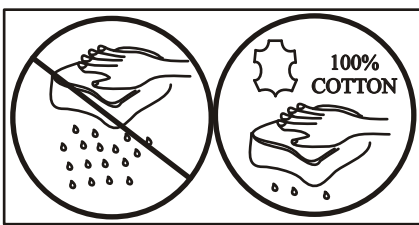
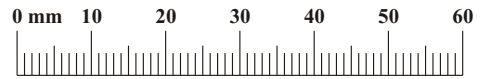
TWIST SB 802



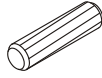
NO	Dim.		Col.-No	Qty
1	334	284	16	1
2	334	284	16	1
3	1380	284	16	1
4	1348	284	16	1
5	1348	98	16	1
6	1375	346	16	1
8	96	265	16	4
9	217	250	16	3
10	265	218	16	1
11	1360	230	3	1

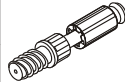
TWIST SB 802


A1 x24  ø8x36	B4 x14 	B5 x14  ø15x12	G5 x14 	B11 x18  Ø7x50	G4 x18 
E7 x4 	E8 x4 	D10 x8  USØ3,5x13	ZXL x1 	ZXP x1 	SZ7 x2 
G7 x12 	S1 x10 	UP13 x3  UPØ3x16	Z5 x4  Ø10	G2 x1 	

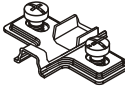


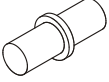
1

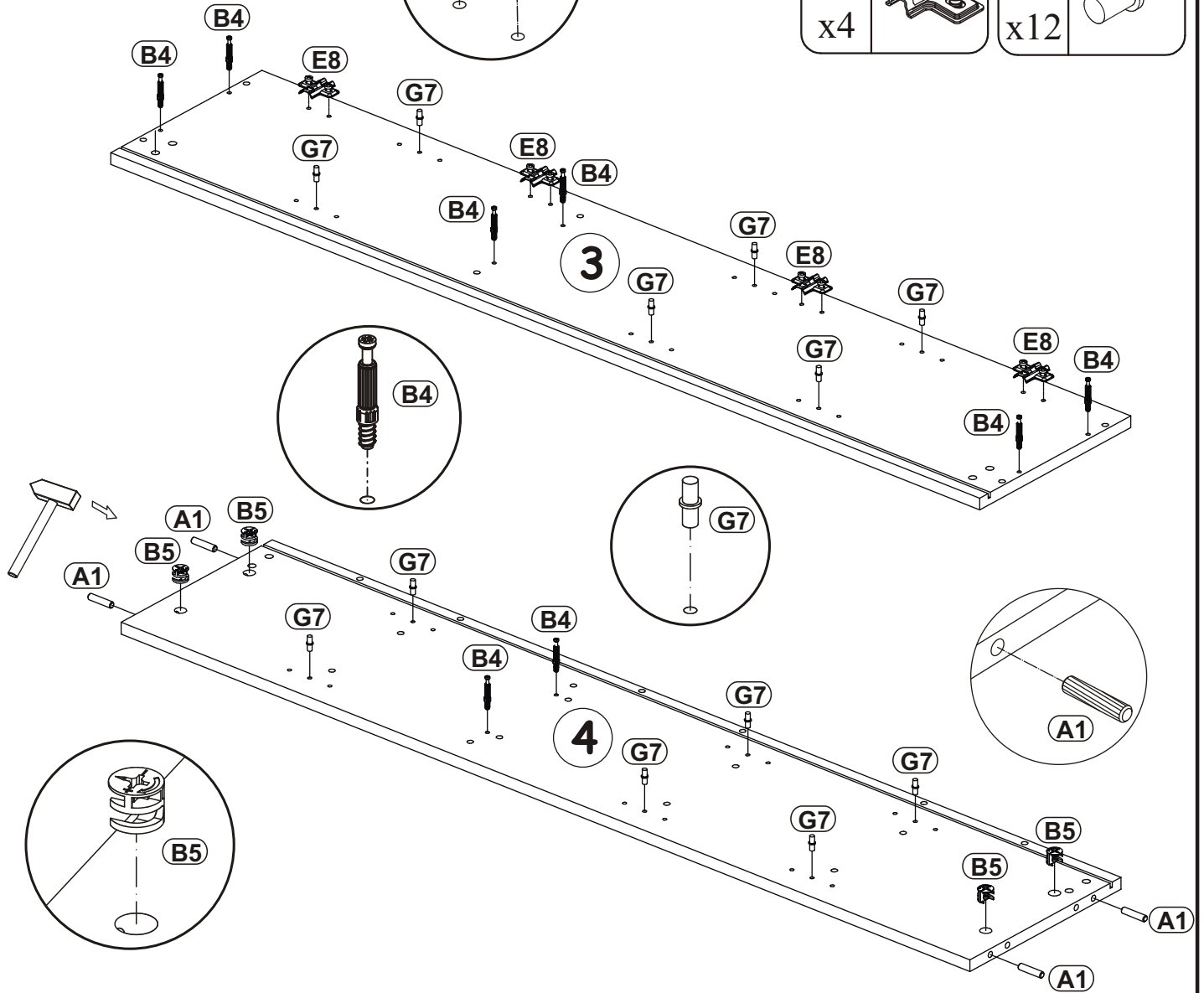
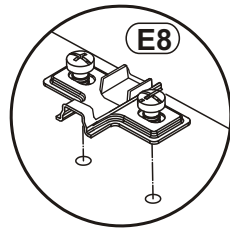
A1	
x4	ø8x36

B4	
x8	

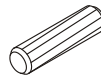
B5	
x4	ø15x12


E8	
x4	

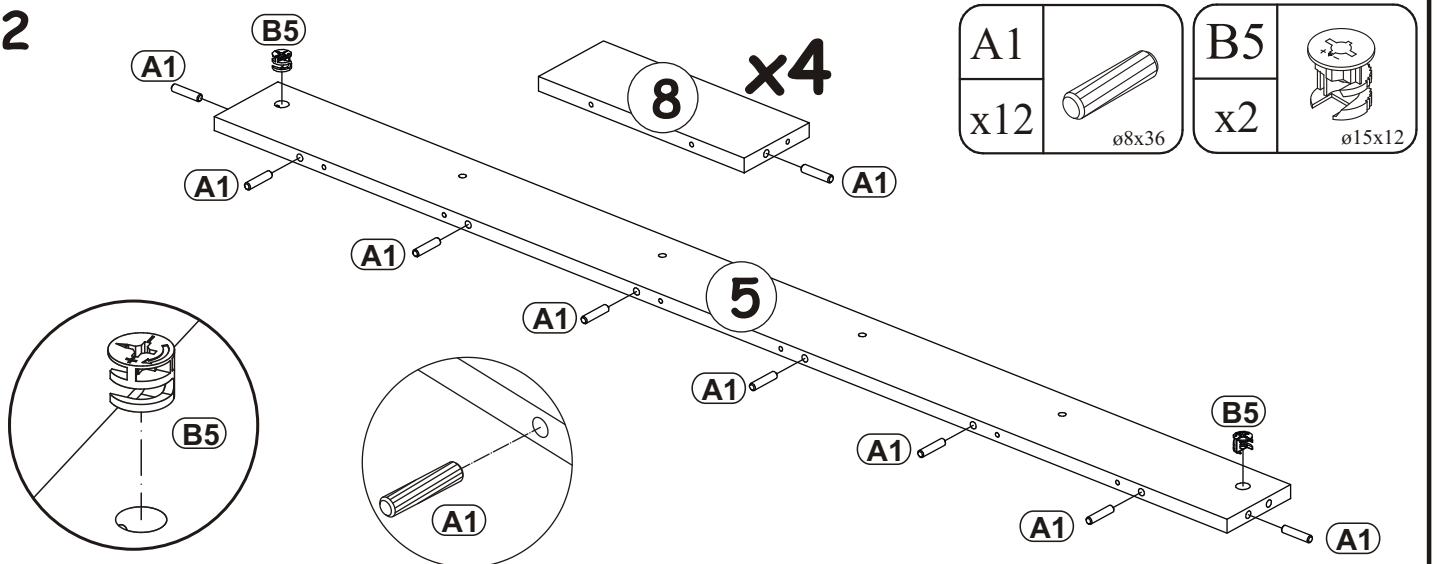
G7	
x12	

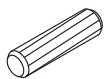


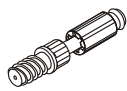
2


A1	
x12	ø8x36

B5	
x2	ø15x12

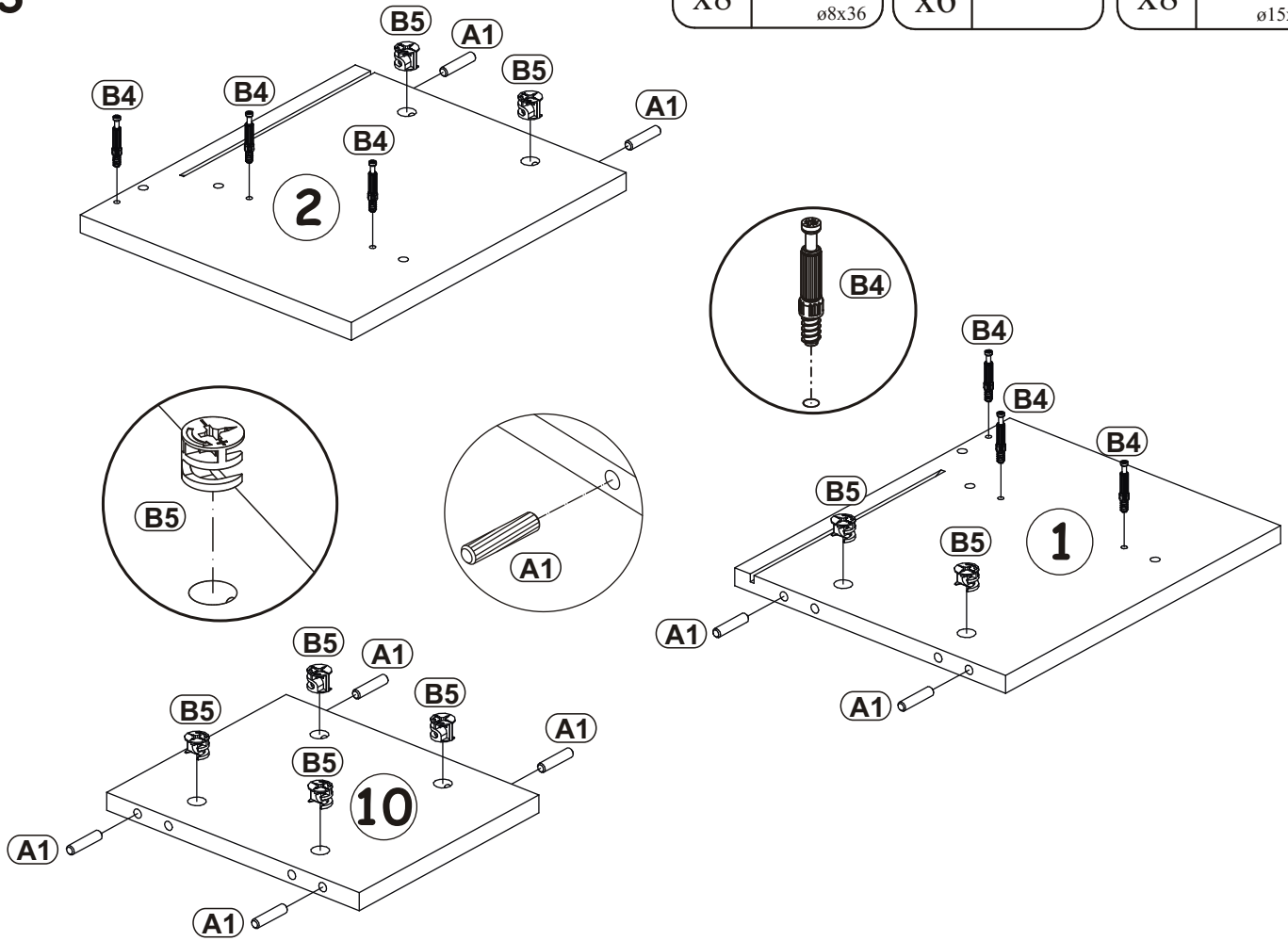


A1	
x8	ø8x36

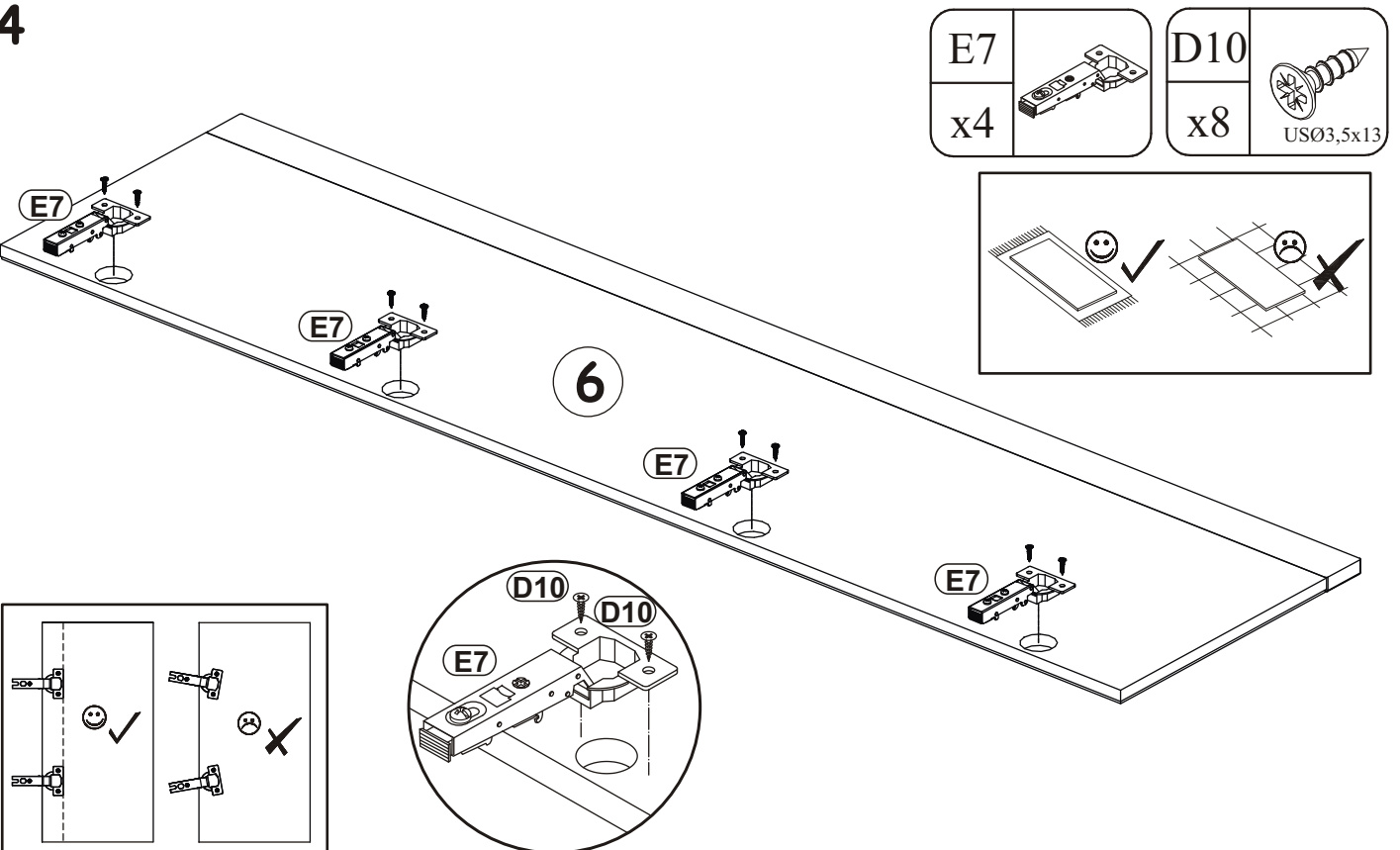
B4	
x6	

B5	
x8	ø15x12



3

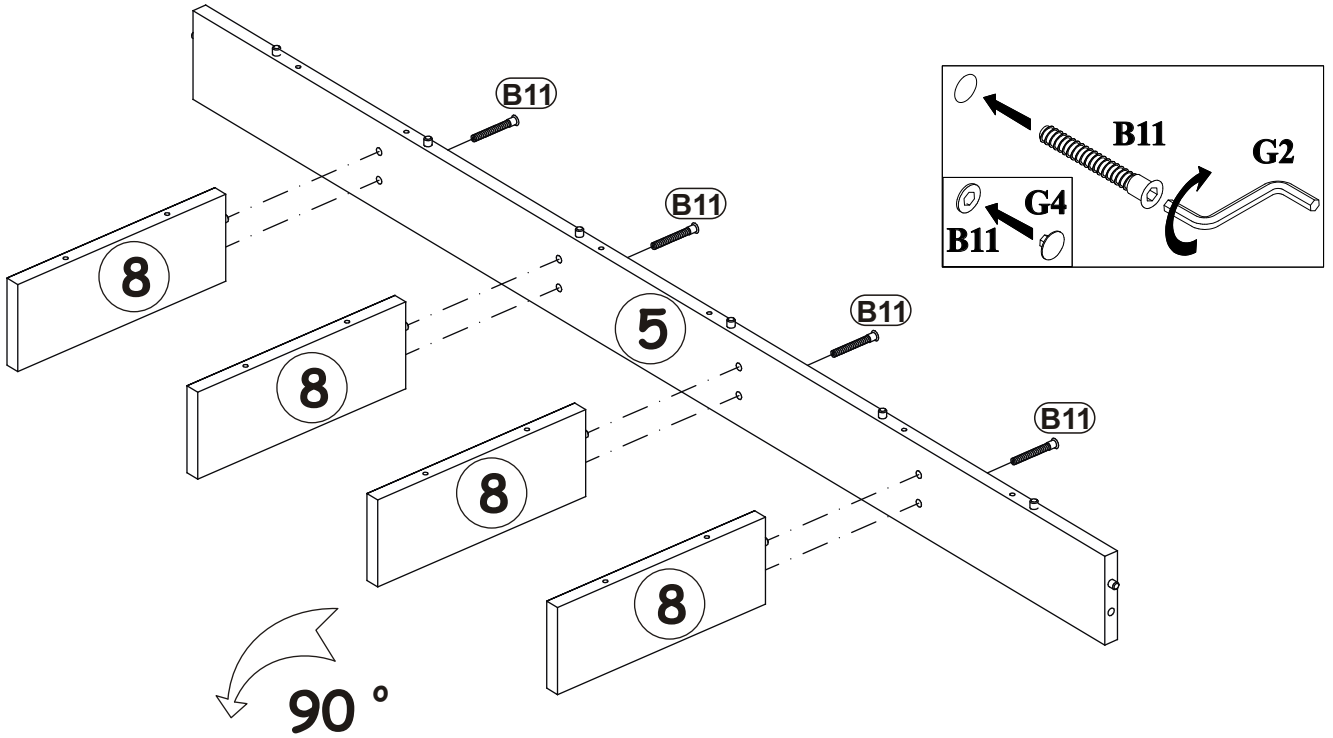


4





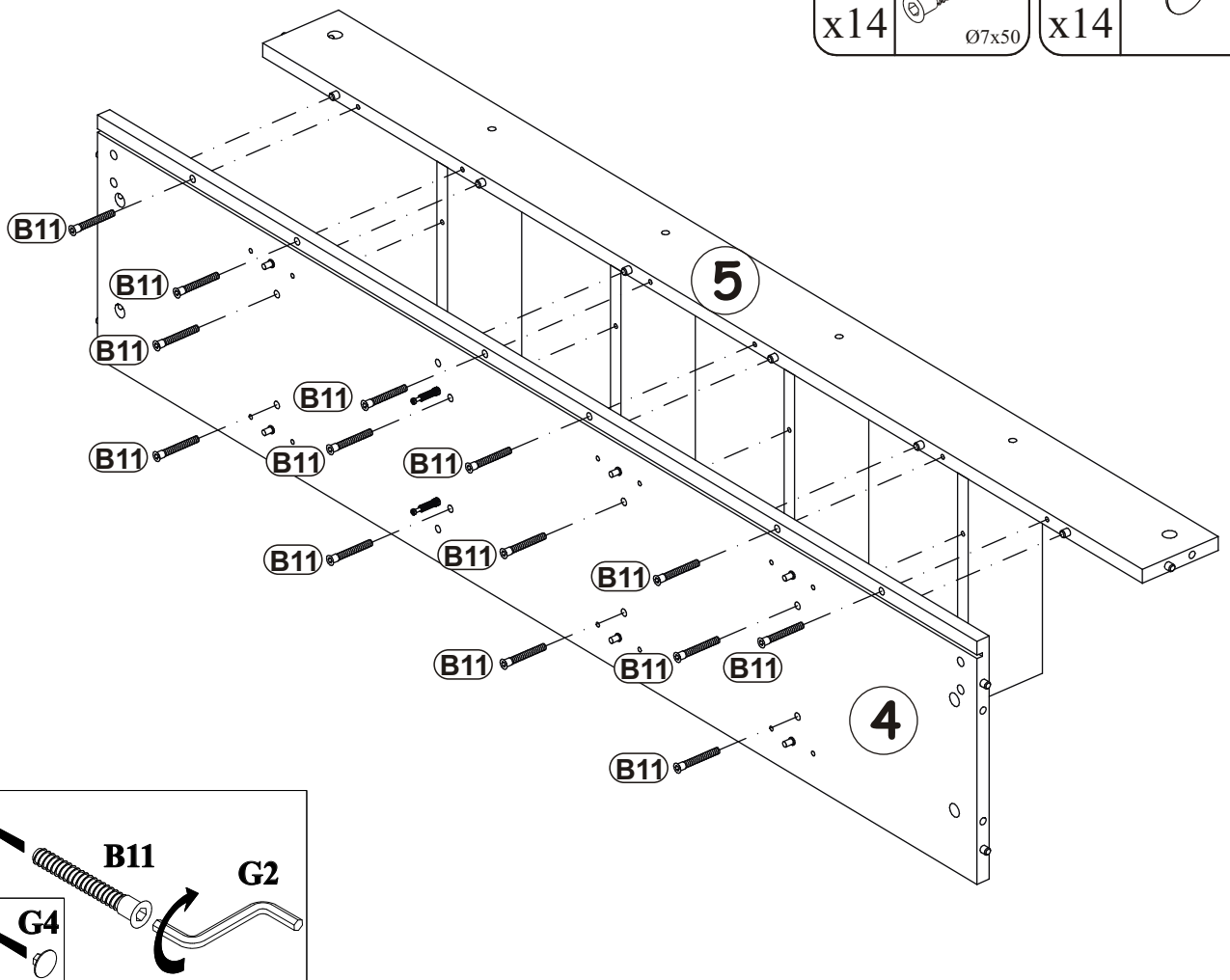
5

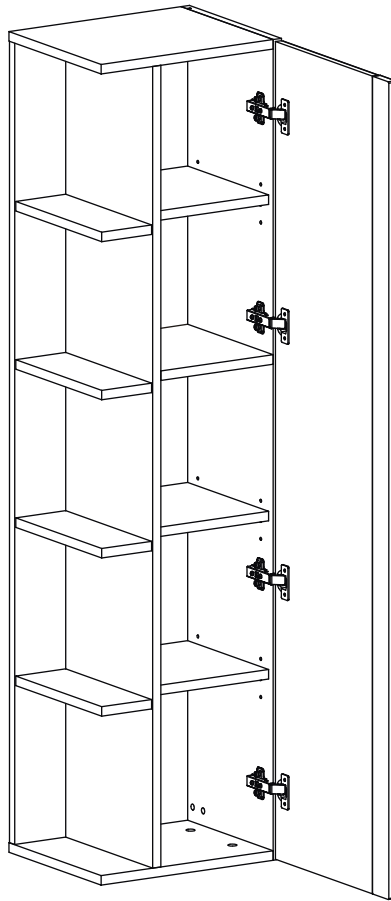
B11		G4	
x4	Ø7x50	x4	



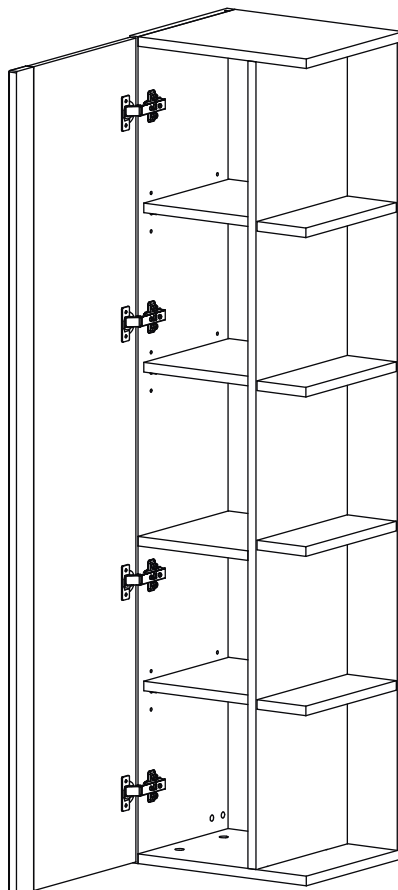
6

B11		G4	
x14	Ø7x50	x14	






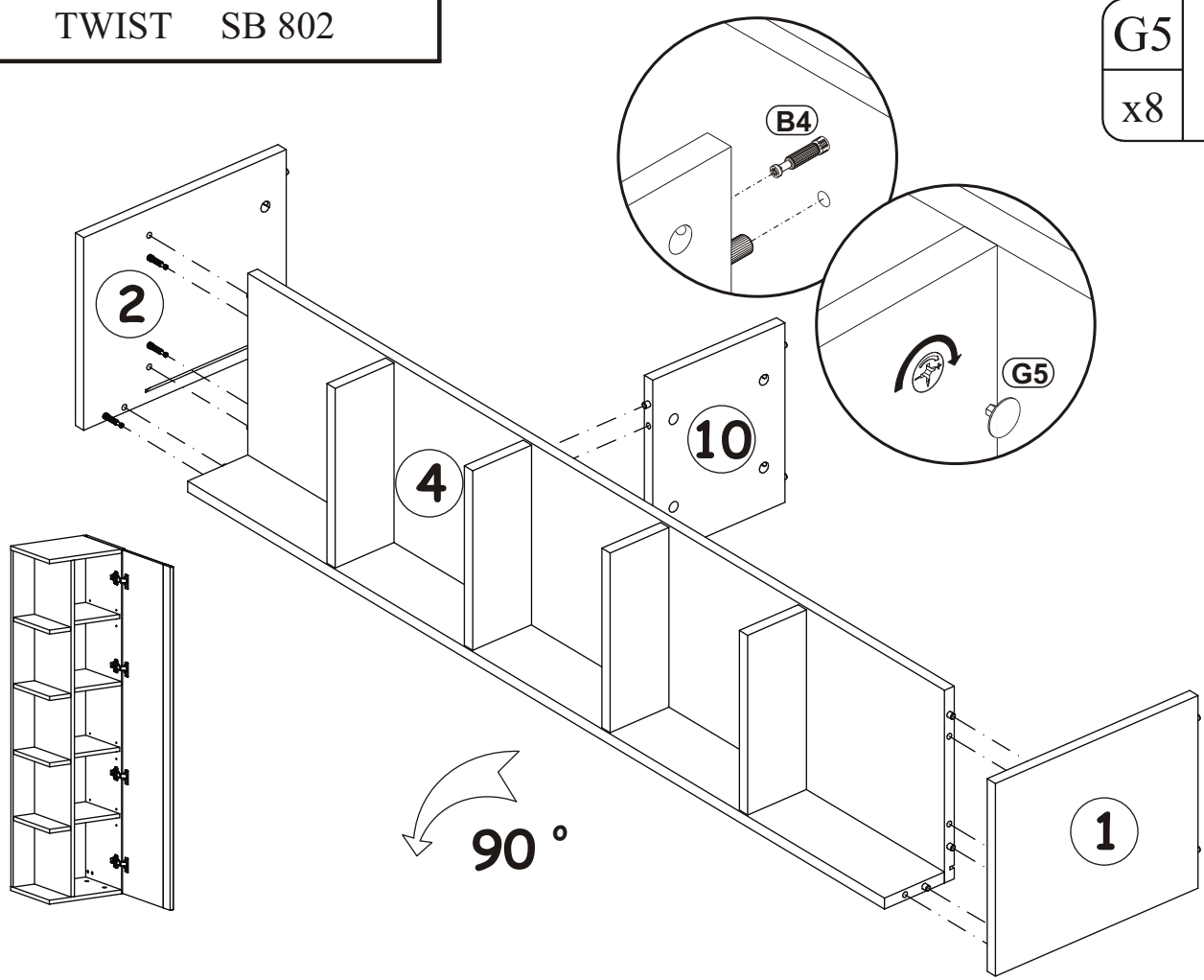
7 - 13



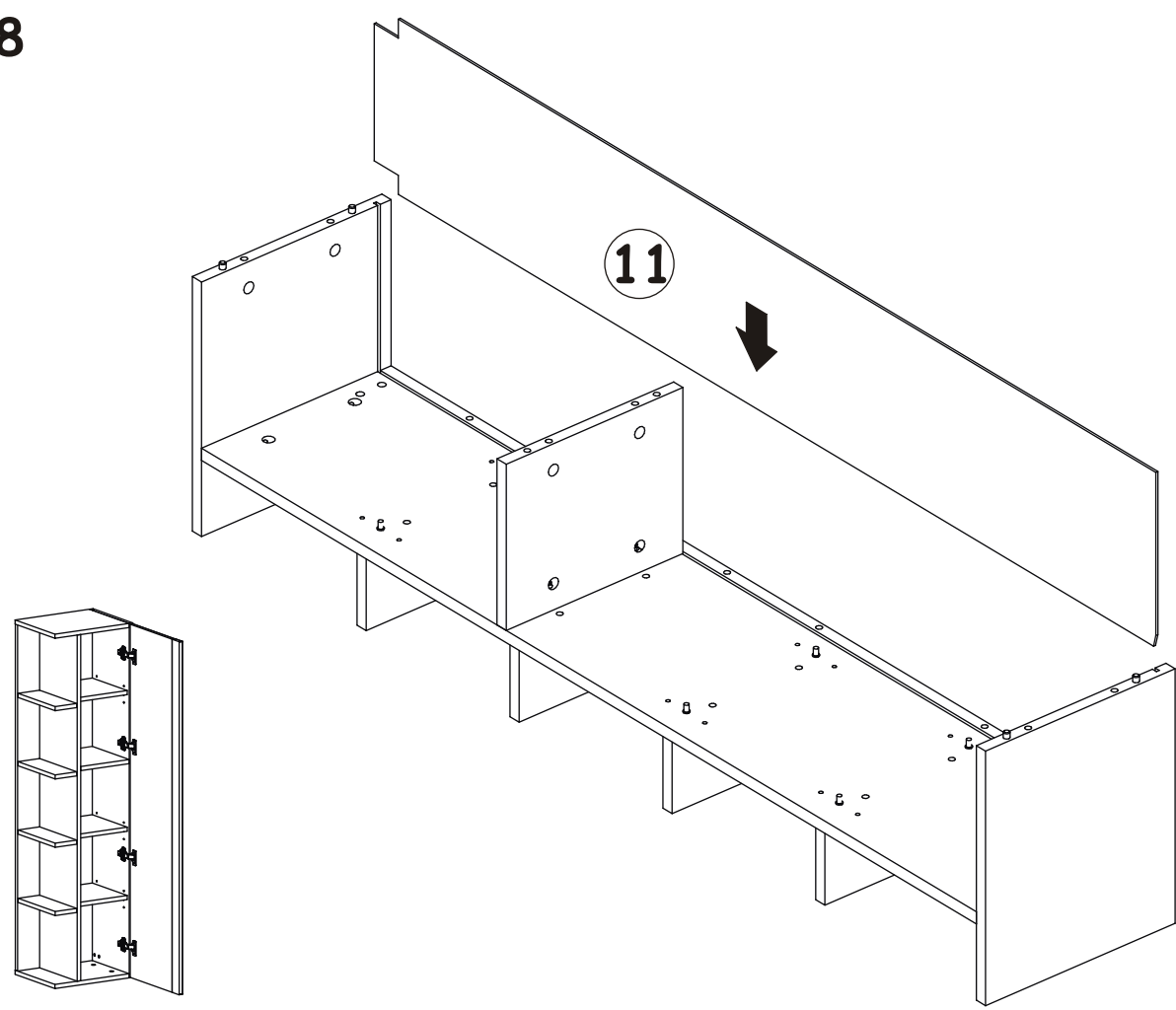
14 - 20


G5	
x8	

7

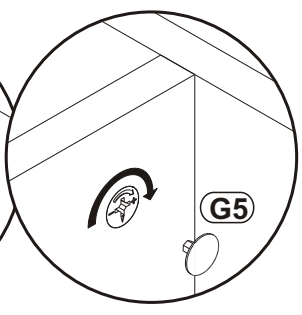
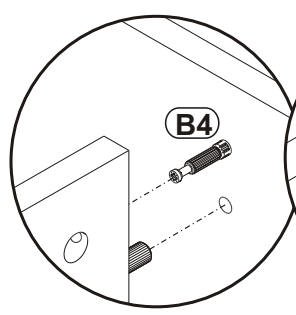
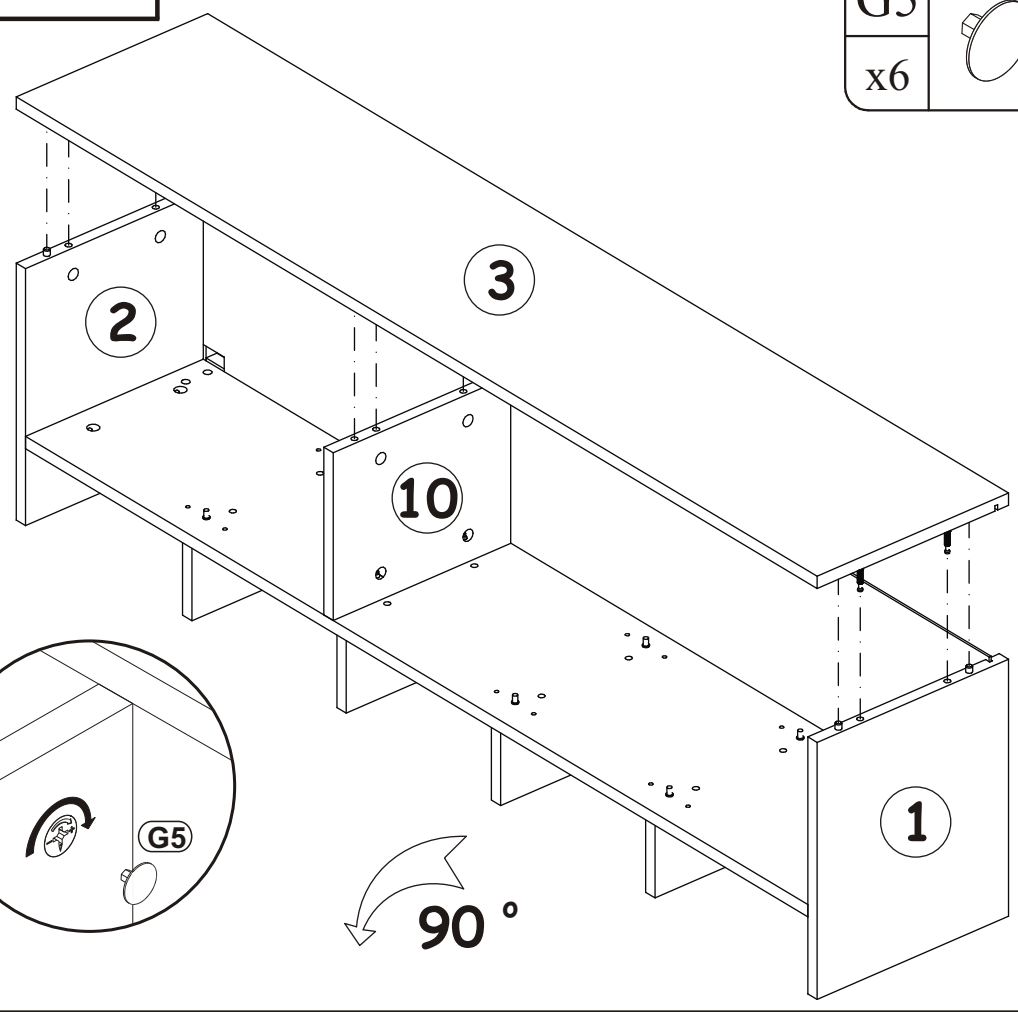
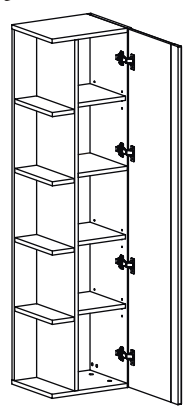


8

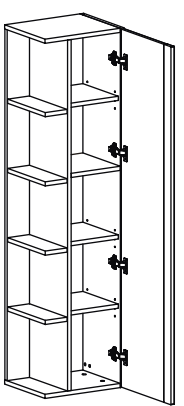


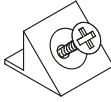

G5	
x6	

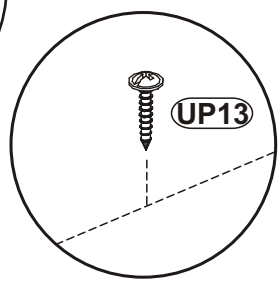
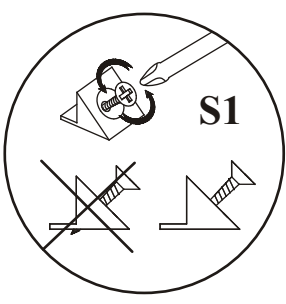
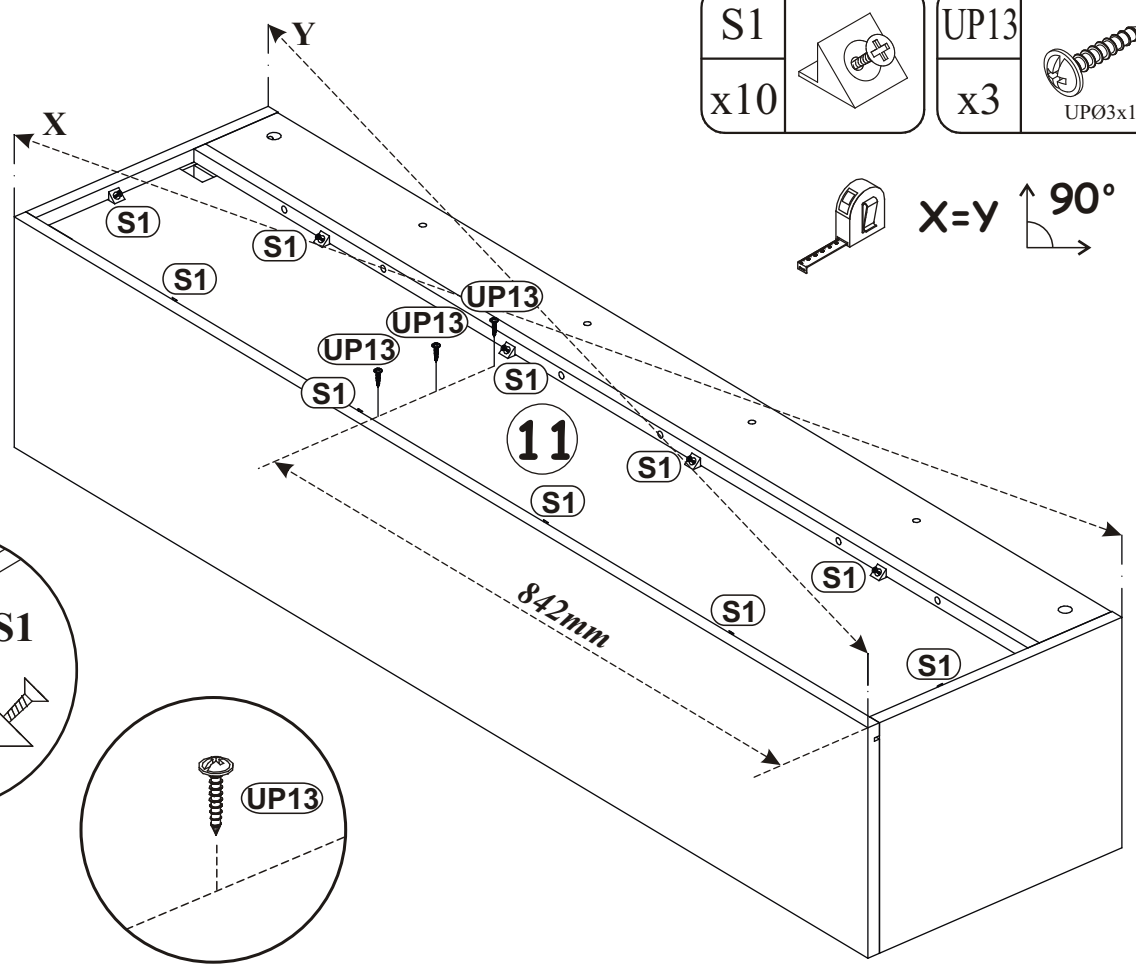
9



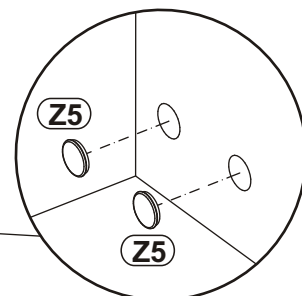
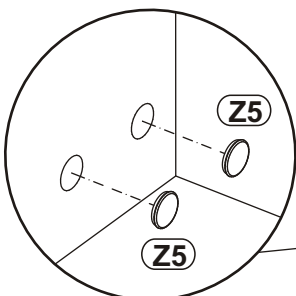
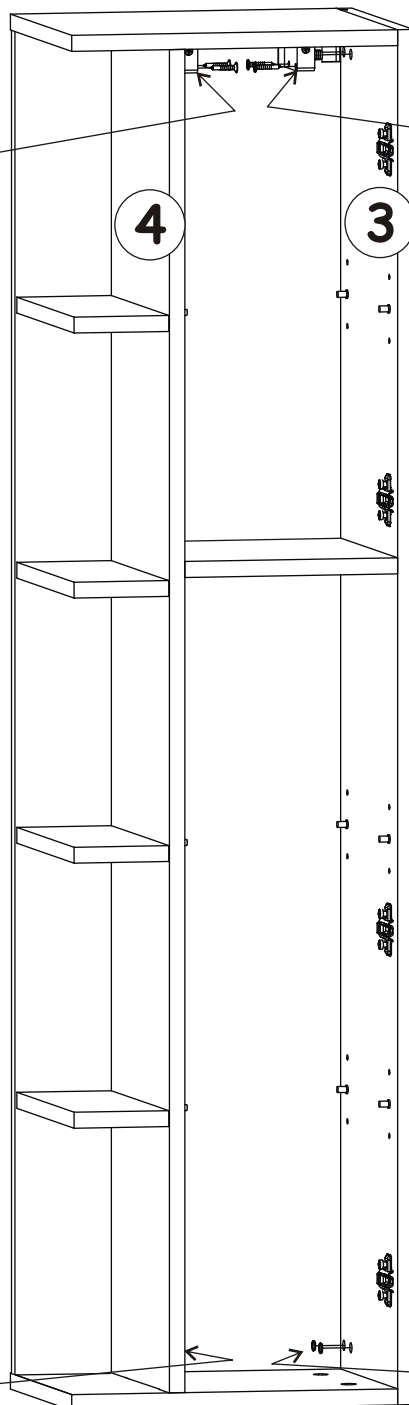
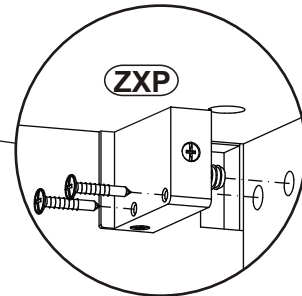
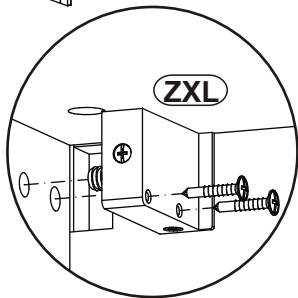
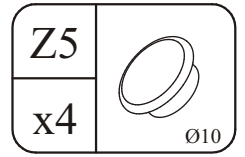
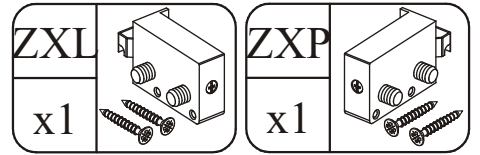
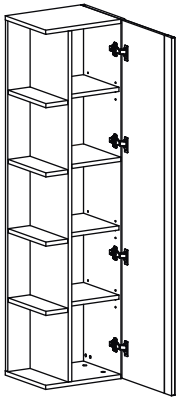
10



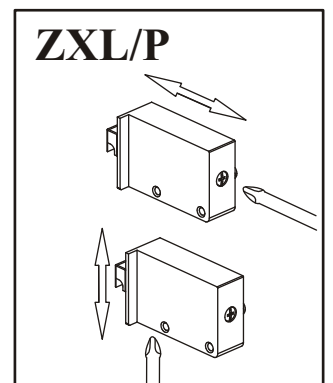
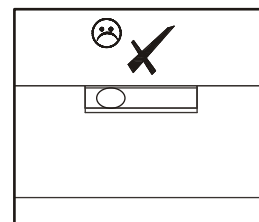
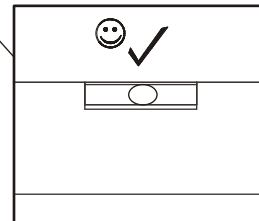
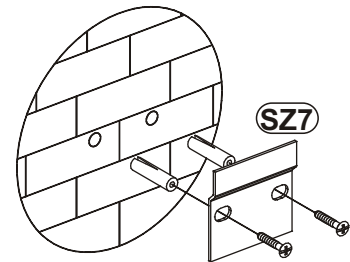
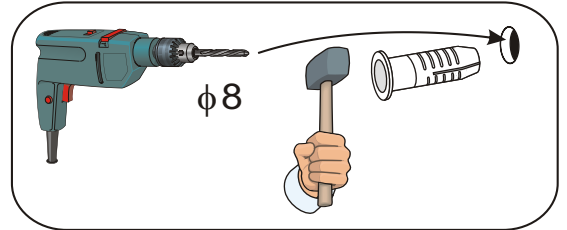
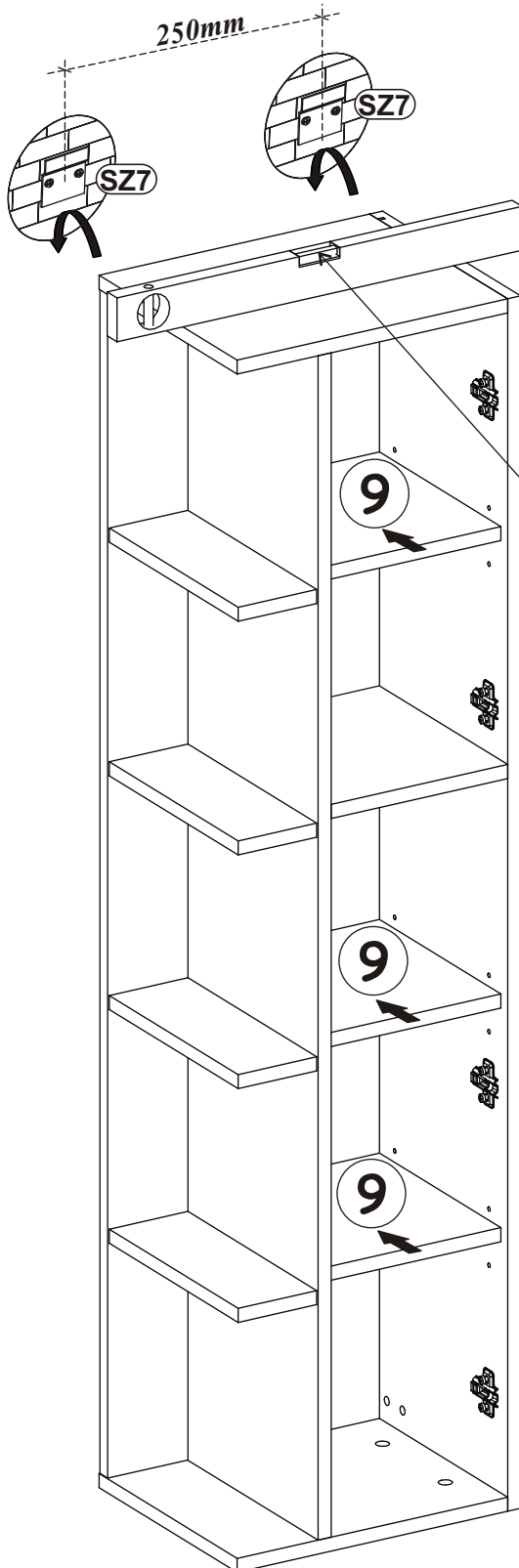
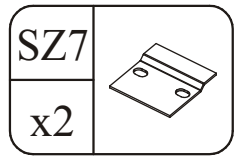
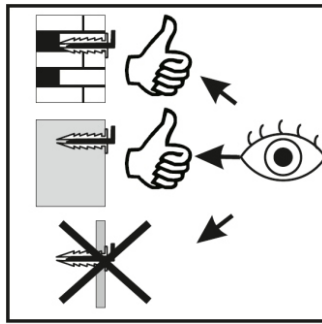
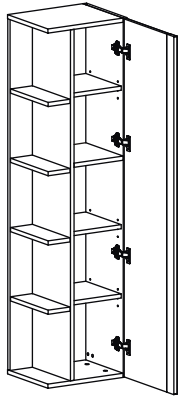
S1		UP13	
x10		x3	UPØ3x16



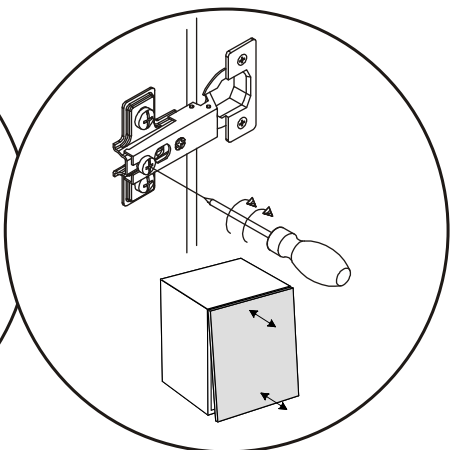
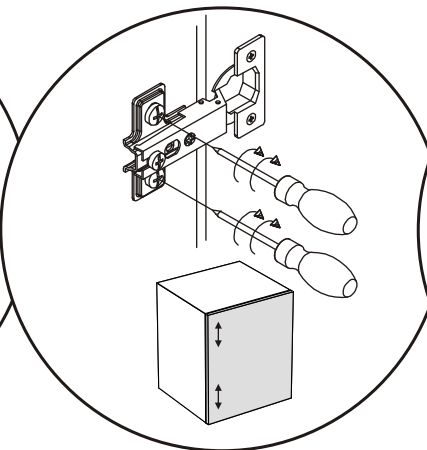
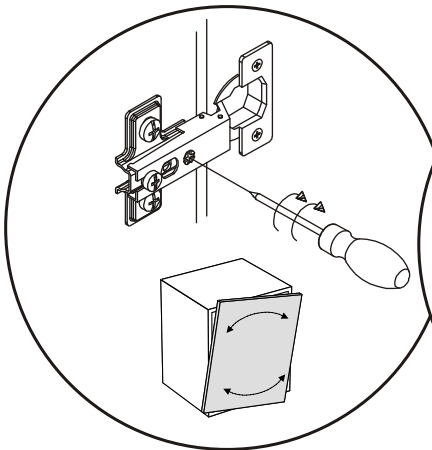
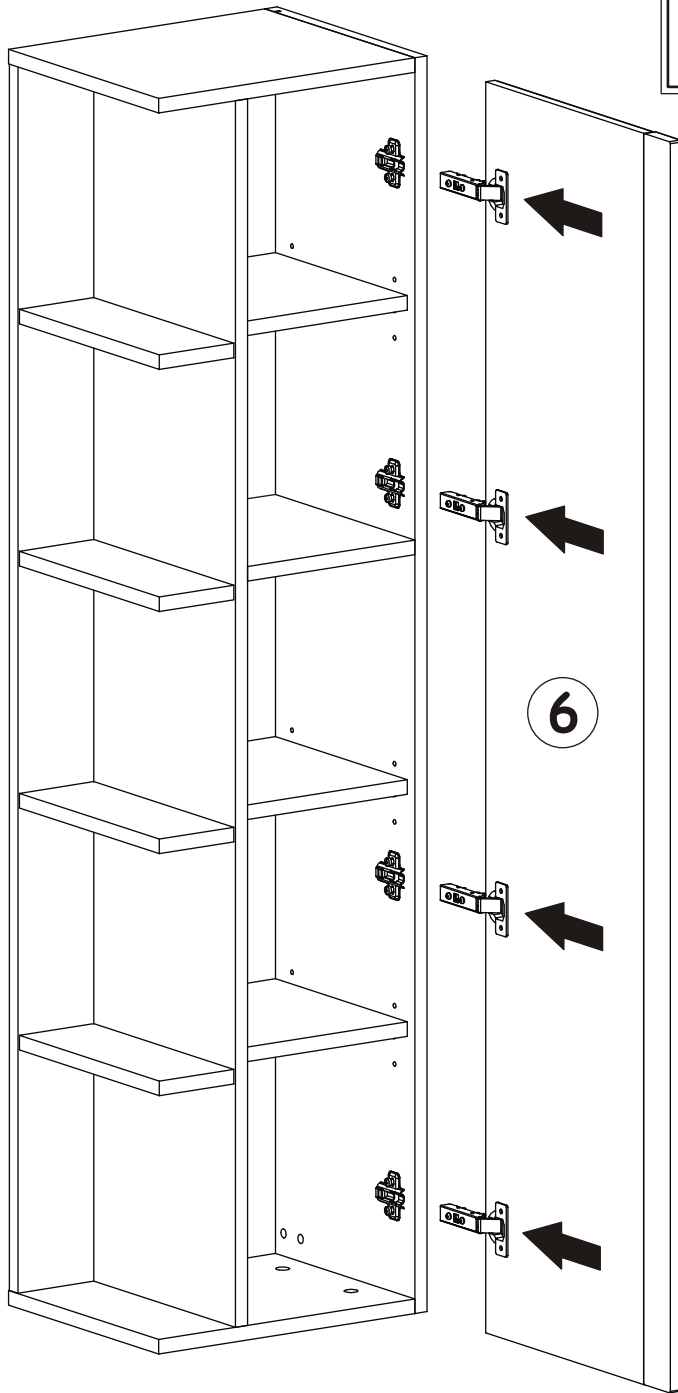
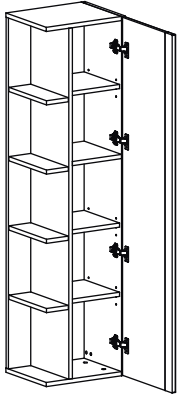
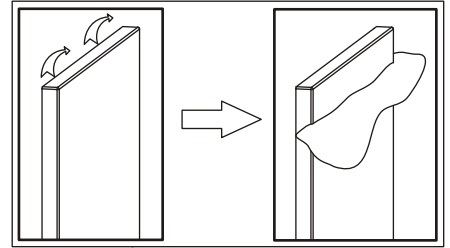
11

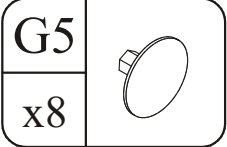


12

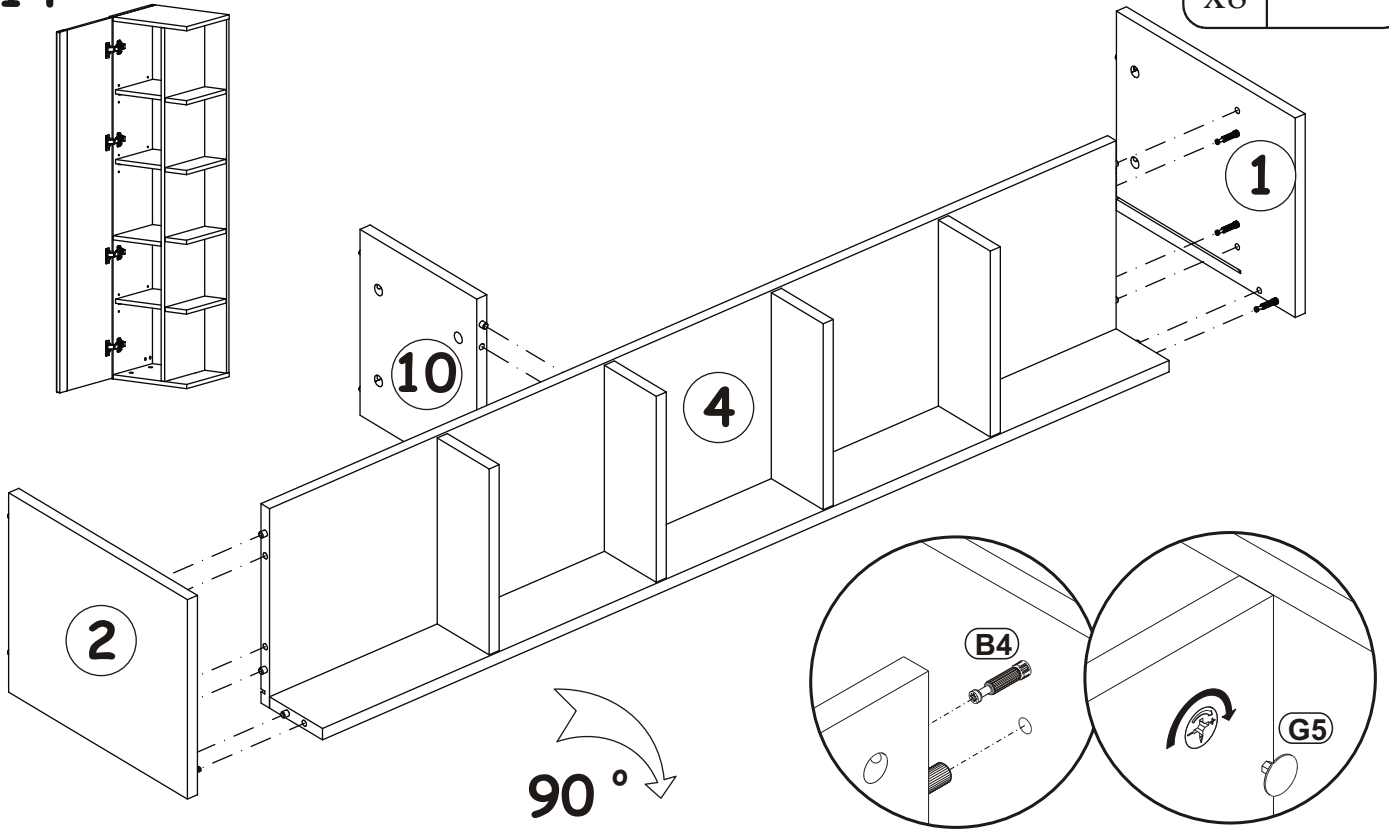


13

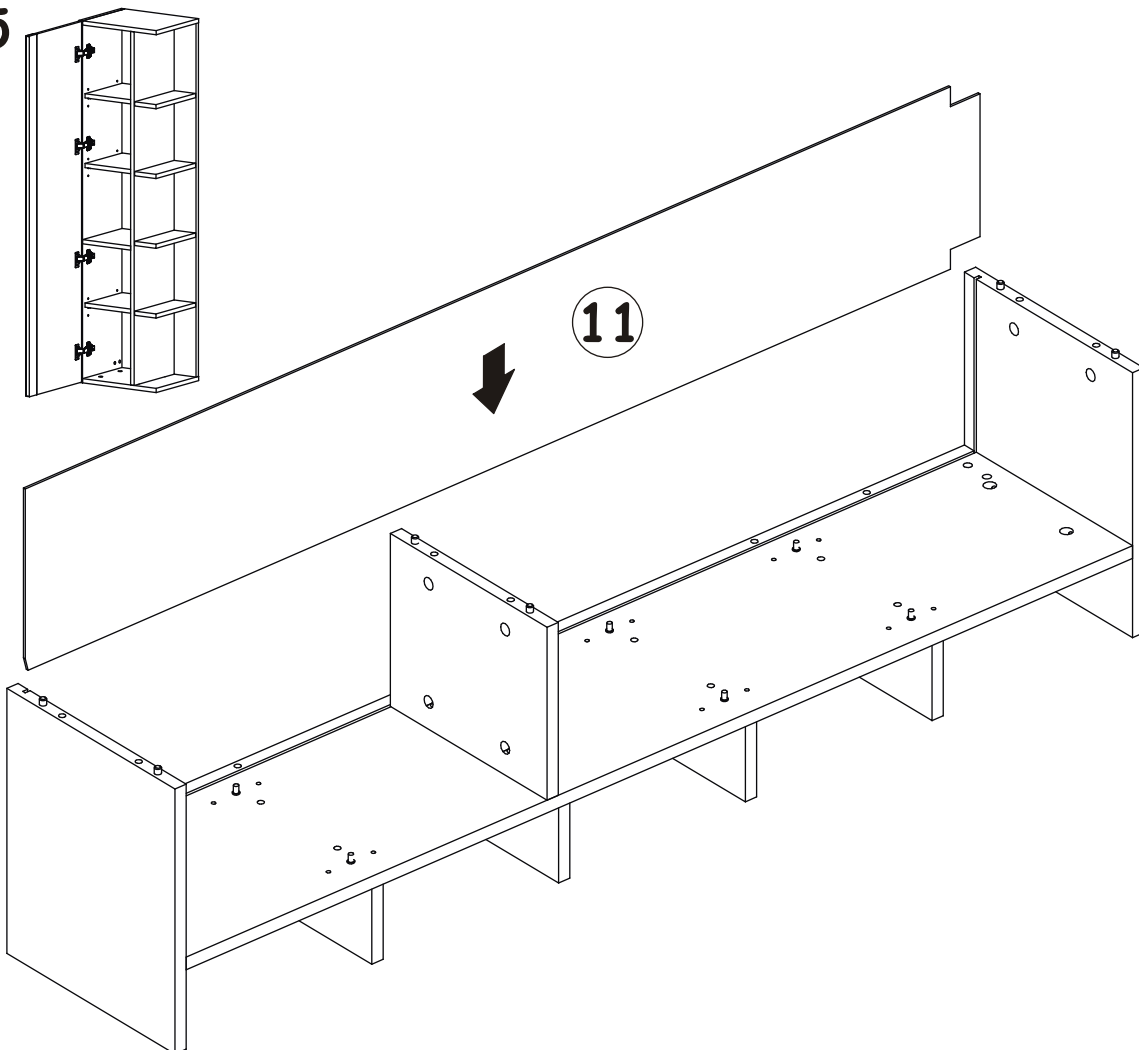





14

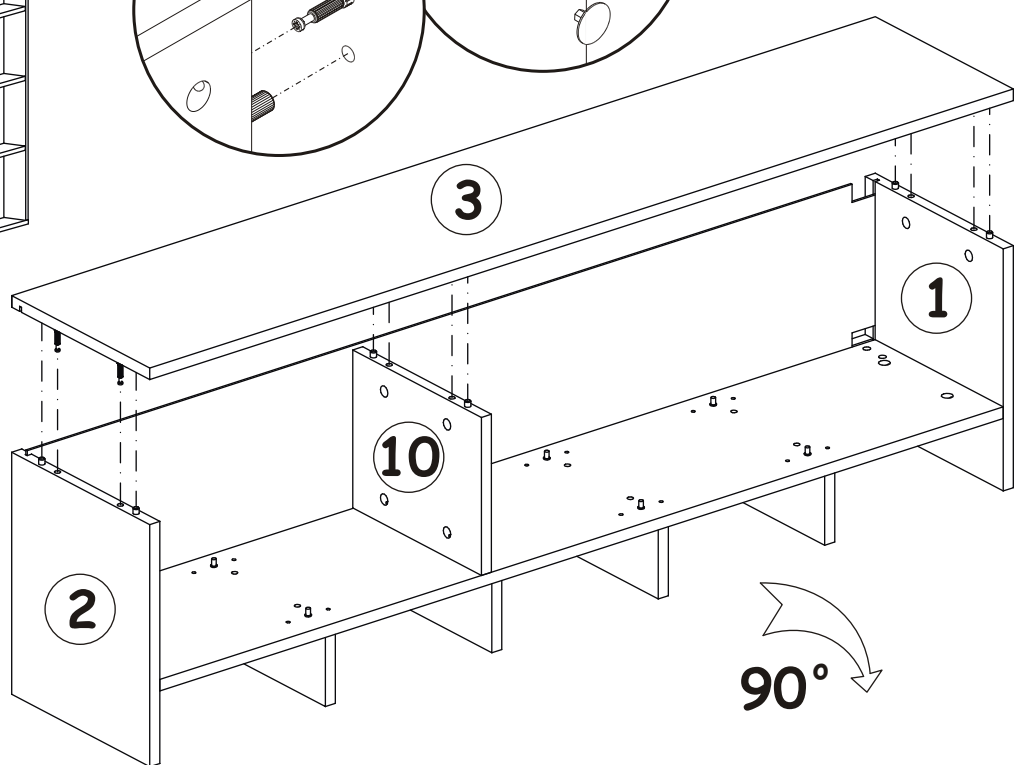
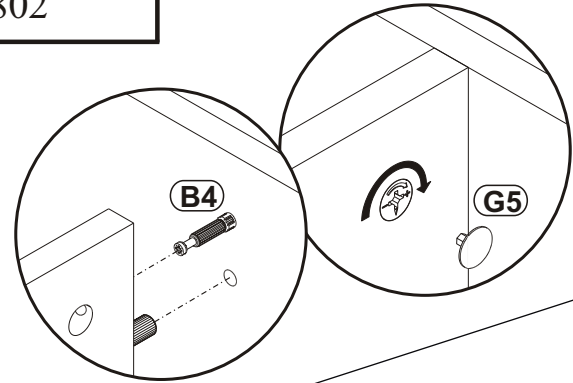
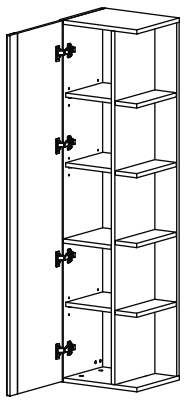


15

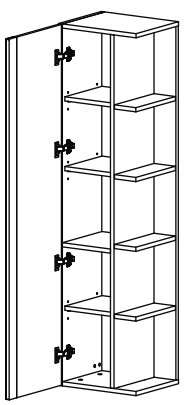


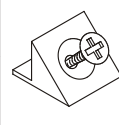
G5	
x6	


16

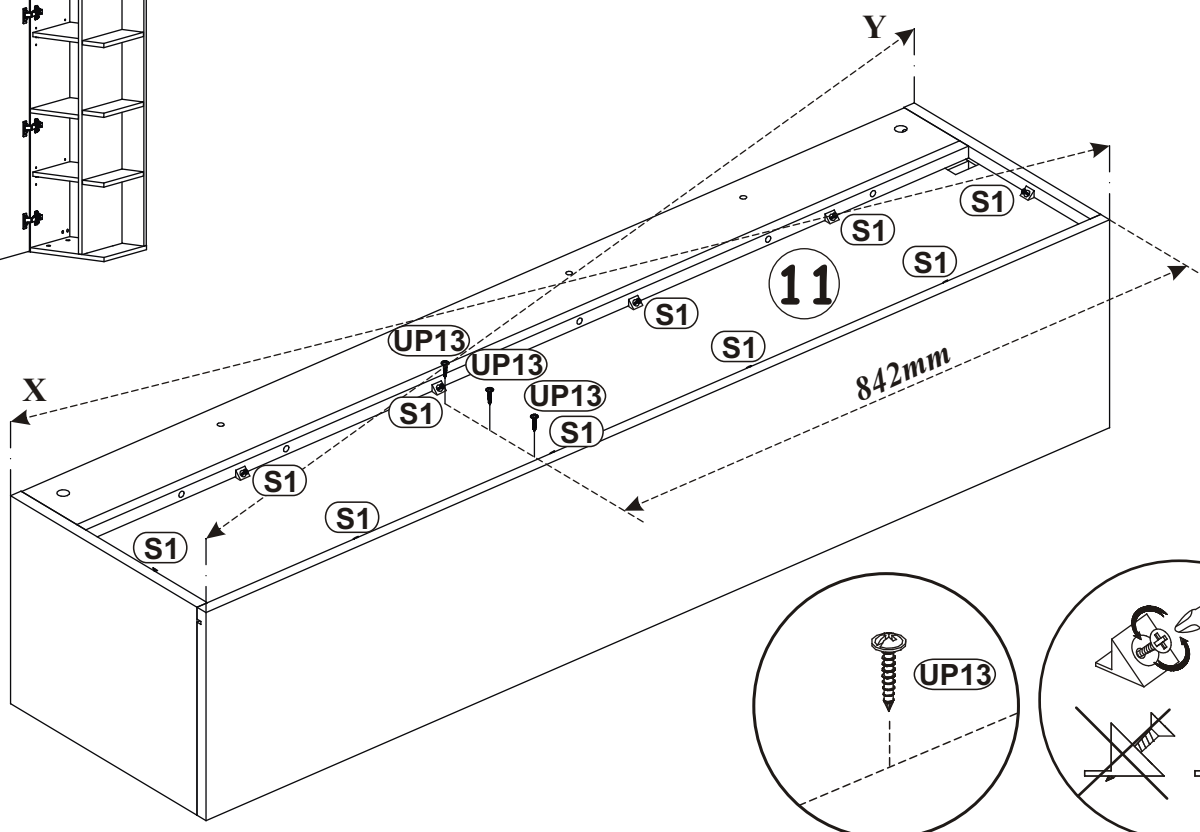


17

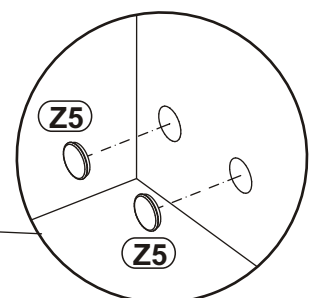
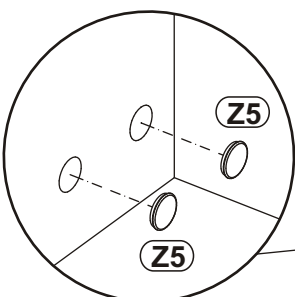
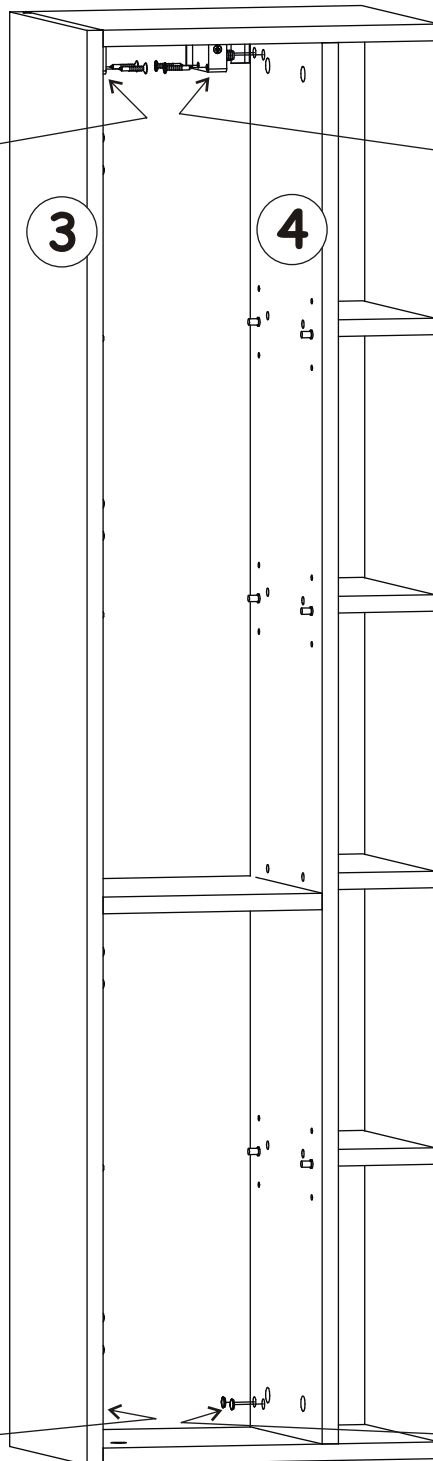
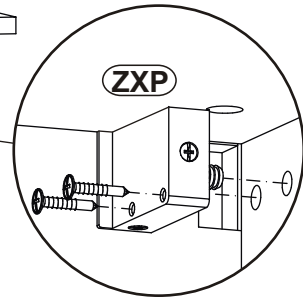
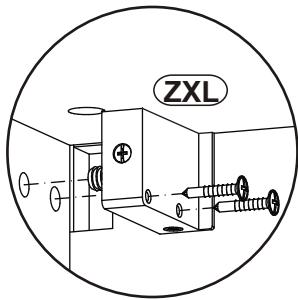
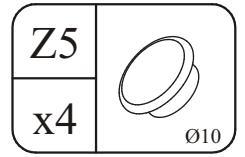
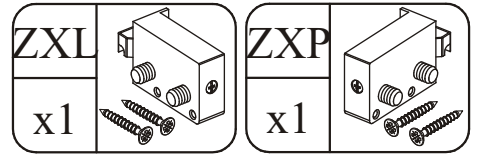
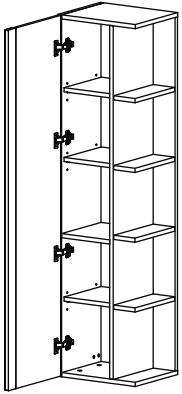


S1	
x10	

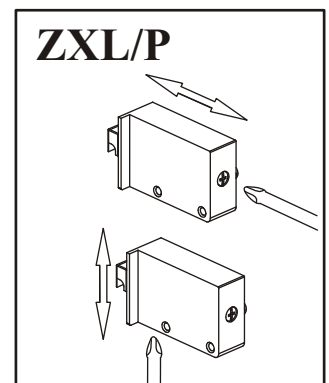
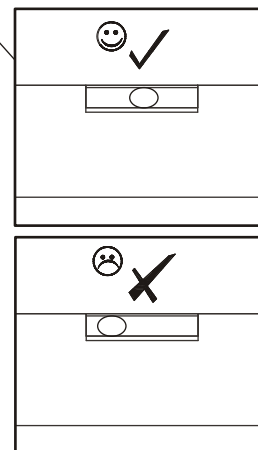
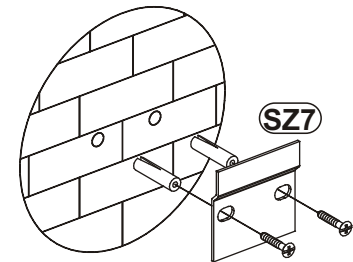
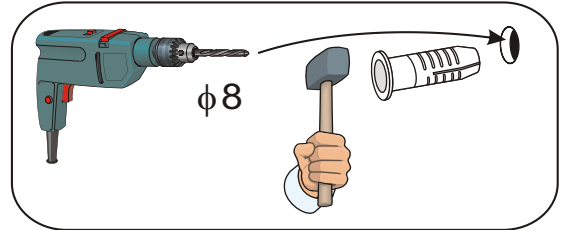
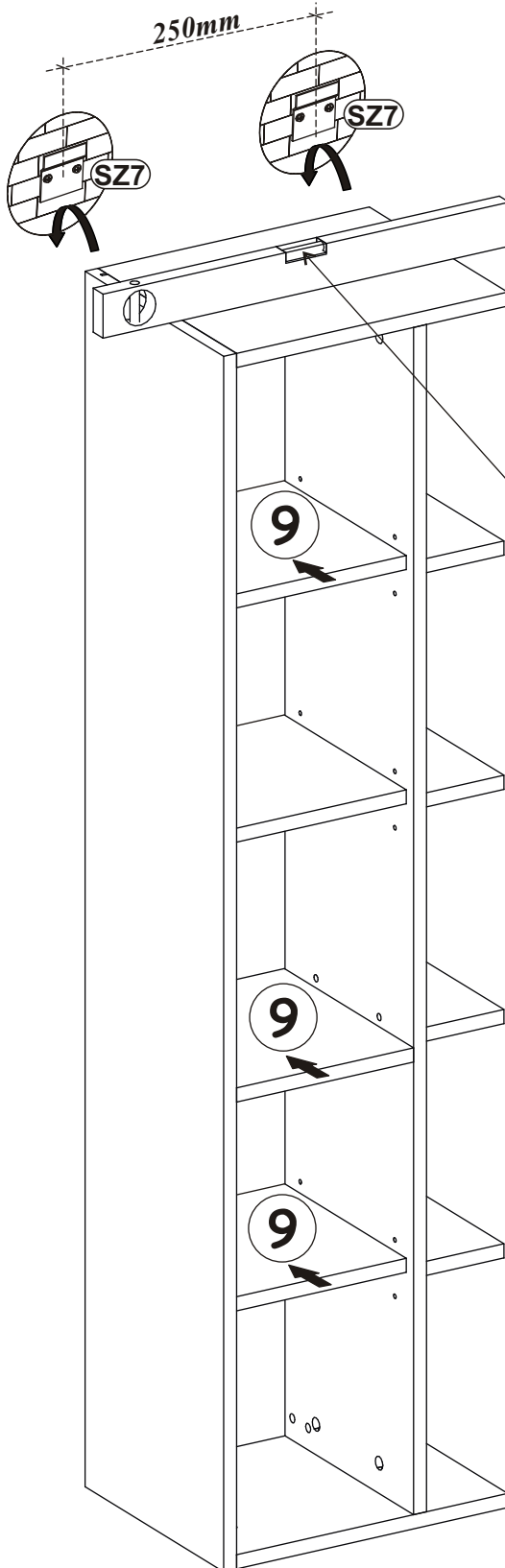
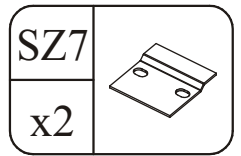
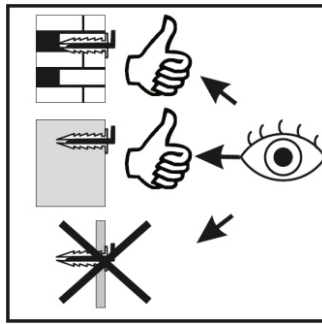
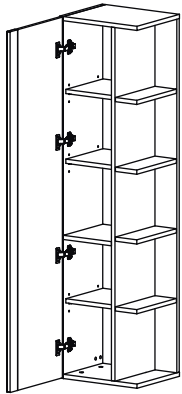
UP13	
x3	UPØ3x16



18



19



20

