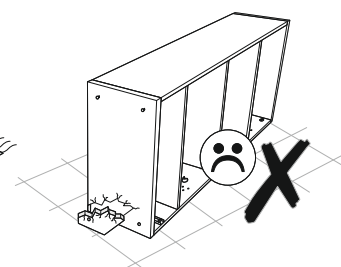
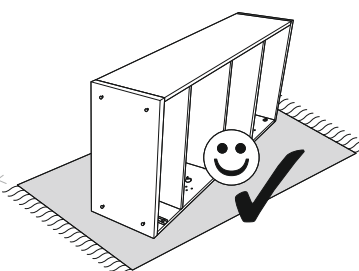
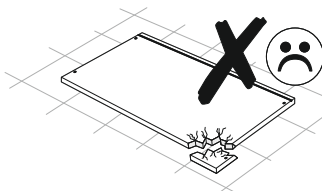
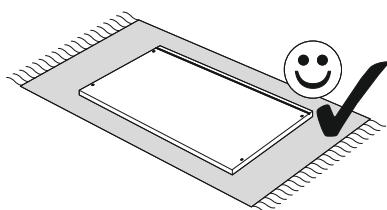
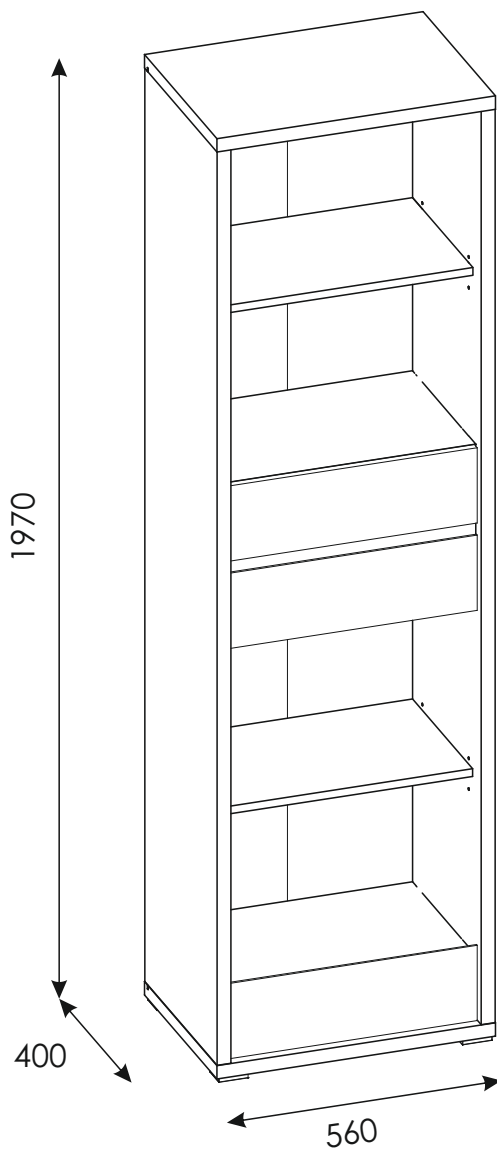
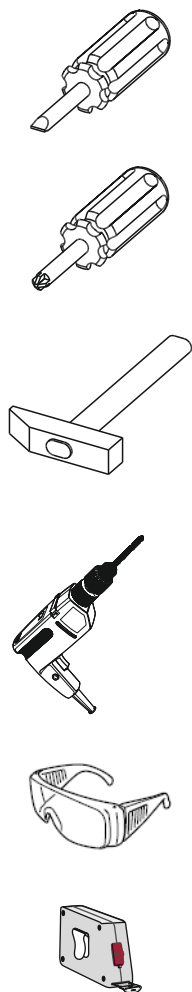


# SHETLAND - 11

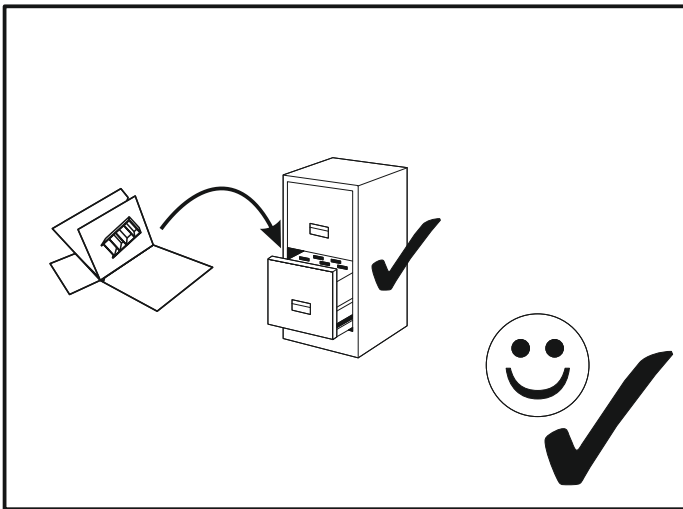


PL.

UWAGA! Mebel należy trwale  
zamocować do ściany, aby uniknąć  
ryzyka związanego z  
przewróceniem się mebla.

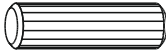

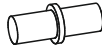


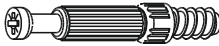




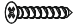
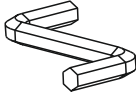


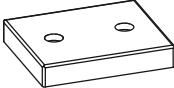

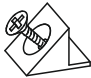

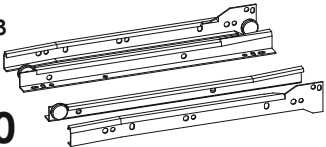
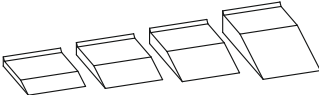
W paczce nie ma śrub mocujących,

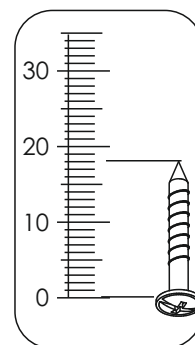
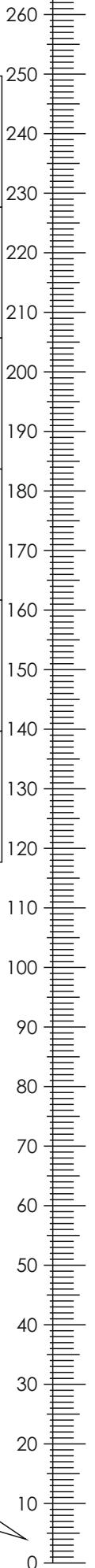
p



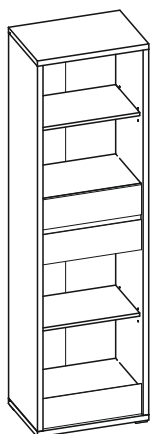
# SHETLAND - 11

MM

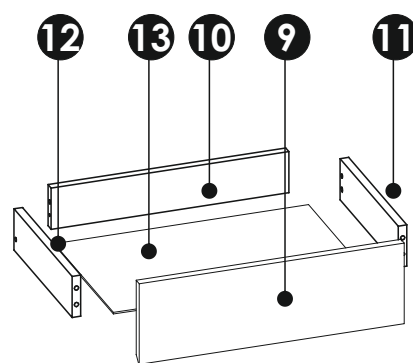
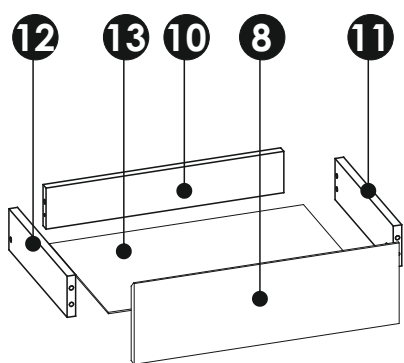
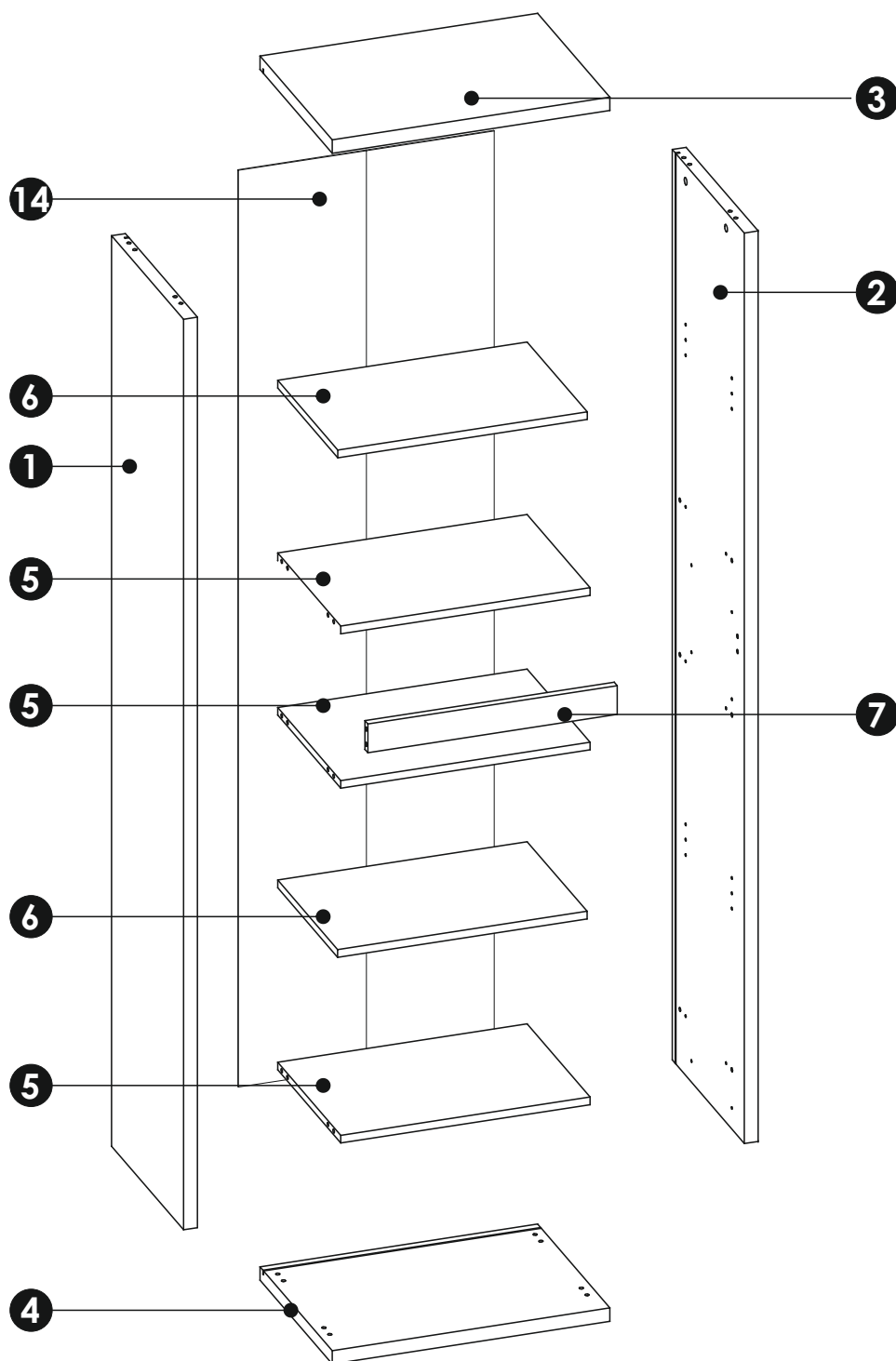
|   |  |  |
|---|--|--|
| <p><b>A1</b> x36 <math>\varnothing 8 \times 35</math>mm</p>  | <p><b>C2</b> x12 EURO 5 x 13mm</p>                            | <p><b>D2</b> x8</p>   |
| <p><b>E0</b> x22</p>   | <p><b>E1</b> x22 <math>\varnothing 15 \times 12</math>mm</p>  | <p><b>F1</b> x22</p>                                        |
| <p><b>G0</b> x10</p>   | <p><b>G1</b> x6 <math>\varnothing 7 \times 50</math>mm</p>    | <p><b>G2</b> x4 <math>\varnothing 7 \times 60</math>mm</p>  |
| <p><b>I2</b> x1 4 x 16mm</p>                                 | <p><b>J1</b> x18 US 3 x 20mm</p>                              | <p><b>M</b> x1</p>    |
| <p><b>N1</b> x20 US 3 x 16mm</p>                            | <p><b>N2</b> x8 US 3,5 x 16mm</p>                            | <p><b>O15</b> x4</p>                                       |
| <p><b>Q9</b> x1</p>                                        | <p><b>R4</b> x13</p>                                        | <p><b>R8</b> x6</p>                                       |
| <p><b>T2</b> x3</p> <p><b>L-300</b></p>                    | <p><b>Z</b> x1</p>    |  |



# SHETLAND - 11

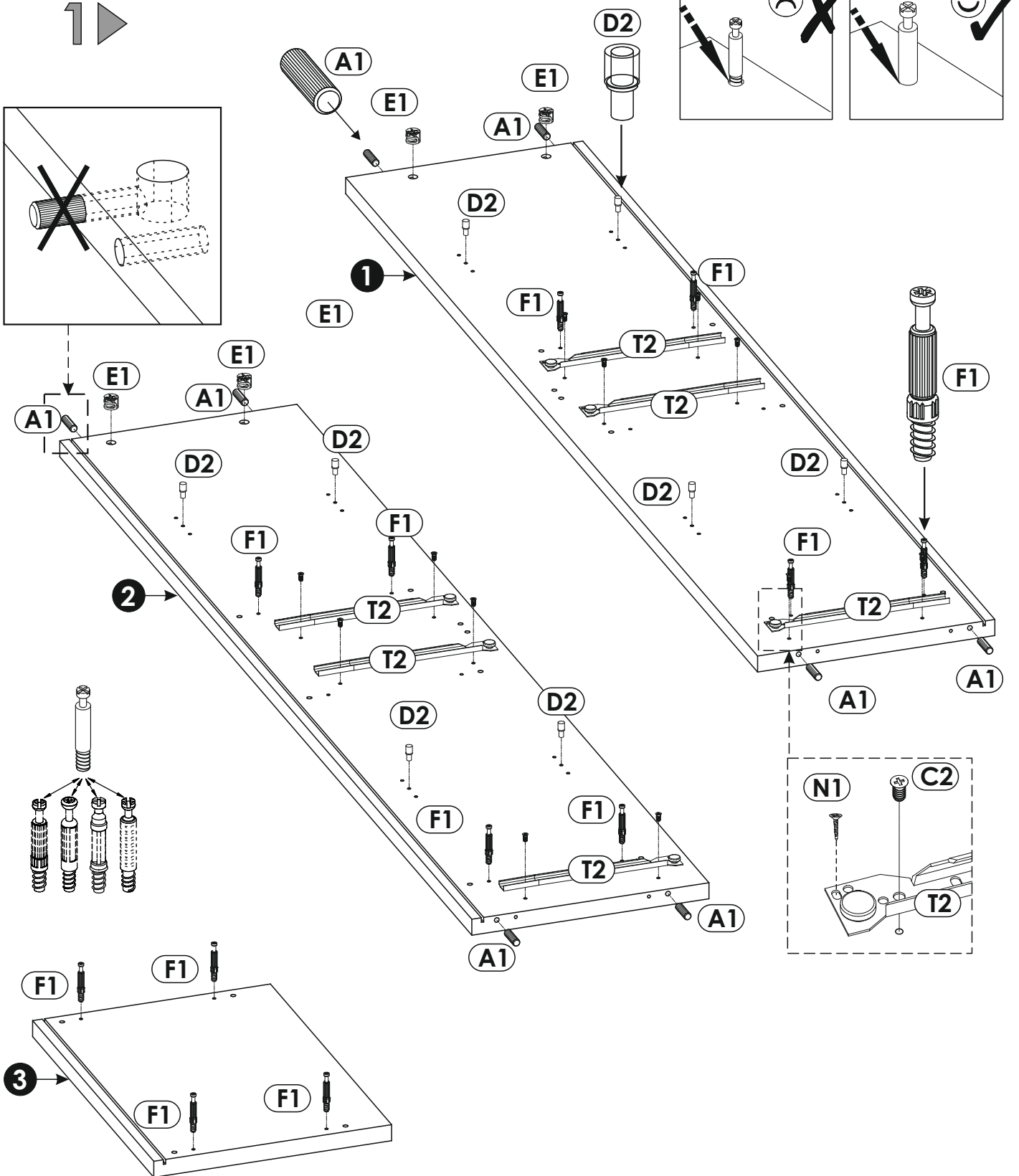
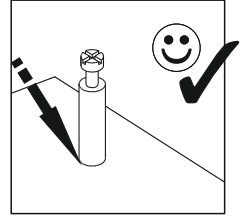
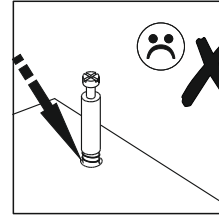
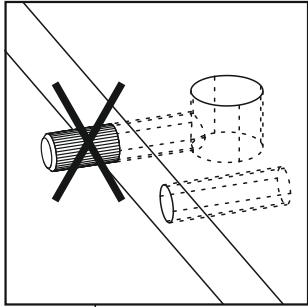


|    |      |     |    |    |     |
|----|------|-----|----|----|-----|
| 1  | 1904 | 399 | 28 | x1 | 2/2 |
| 2  | 1904 | 399 | 28 | x1 | 2/2 |
| 3  | 560  | 400 | 28 | x1 | 1/2 |
| 4  | 560  | 400 | 28 | x1 | 1/2 |
| 5  | 503  | 349 | 16 | x3 | 1/2 |
| 6  | 503  | 333 | 16 | x2 | 1/2 |
| 7  | 503  | 60  | 16 | x1 | 1/2 |
| 8  | 497  | 157 | 16 | x2 | 1/2 |
| 9  | 497  | 157 | 16 | x1 | 1/2 |
| 10 | 446  | 80  | 16 | x3 | 1/2 |
| 11 | 330  | 80  | 16 | x2 | 1/2 |
| 12 | 330  | 80  | 16 | x2 | 1/2 |
| 13 | 477  | 335 | 3  | x2 | 2/2 |
| 14 | 1917 | 516 | 3  | x1 | 2/2 |

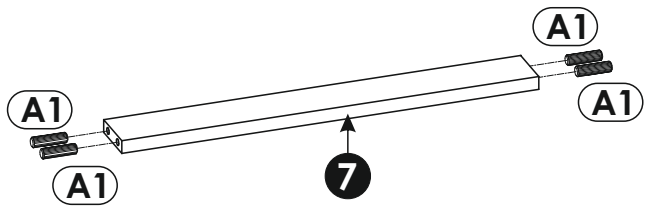
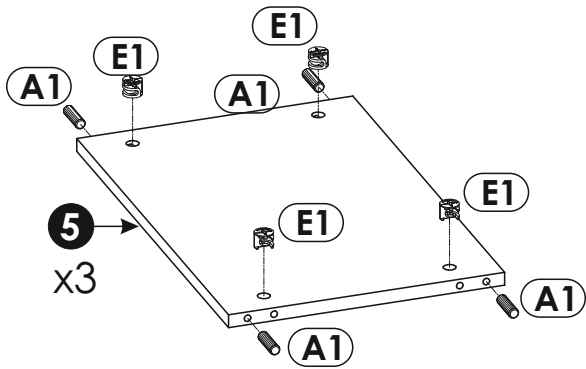
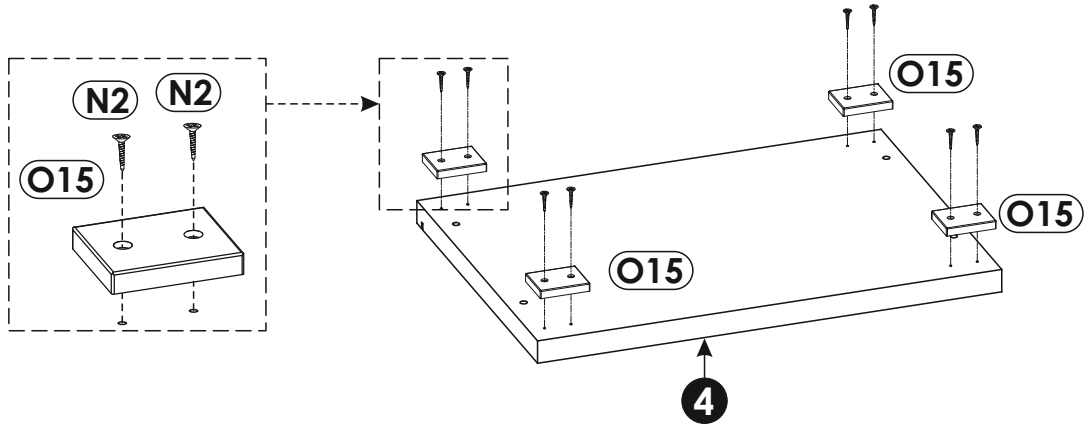




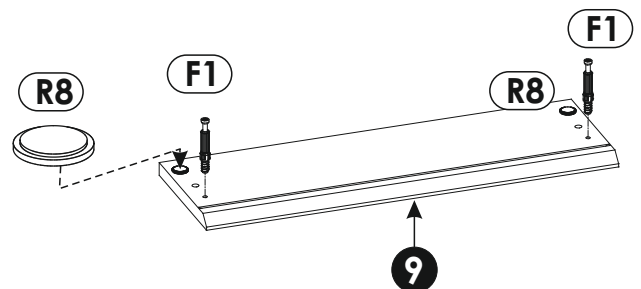
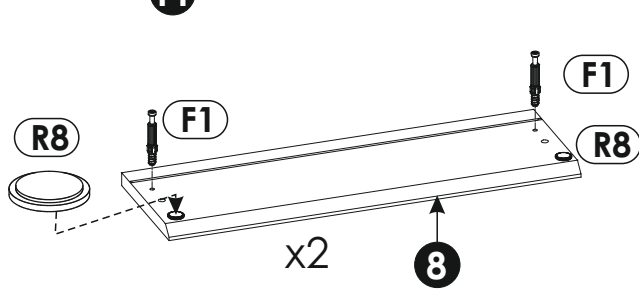
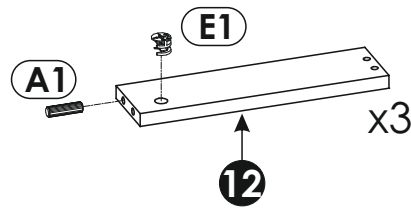
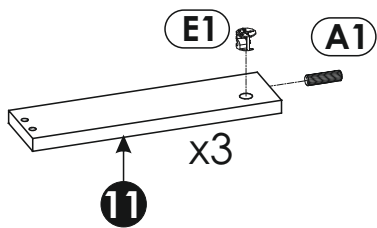
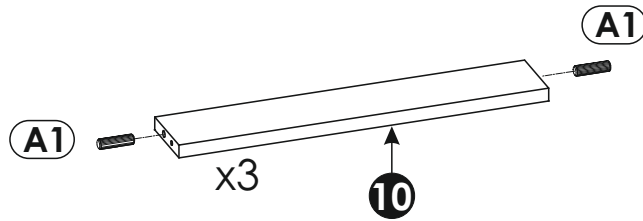
1 ▶



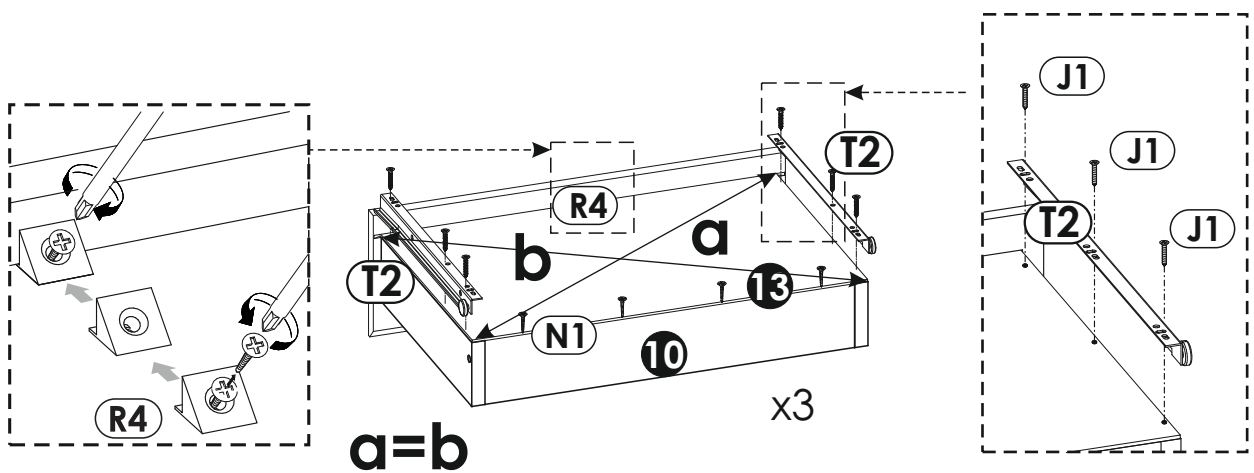
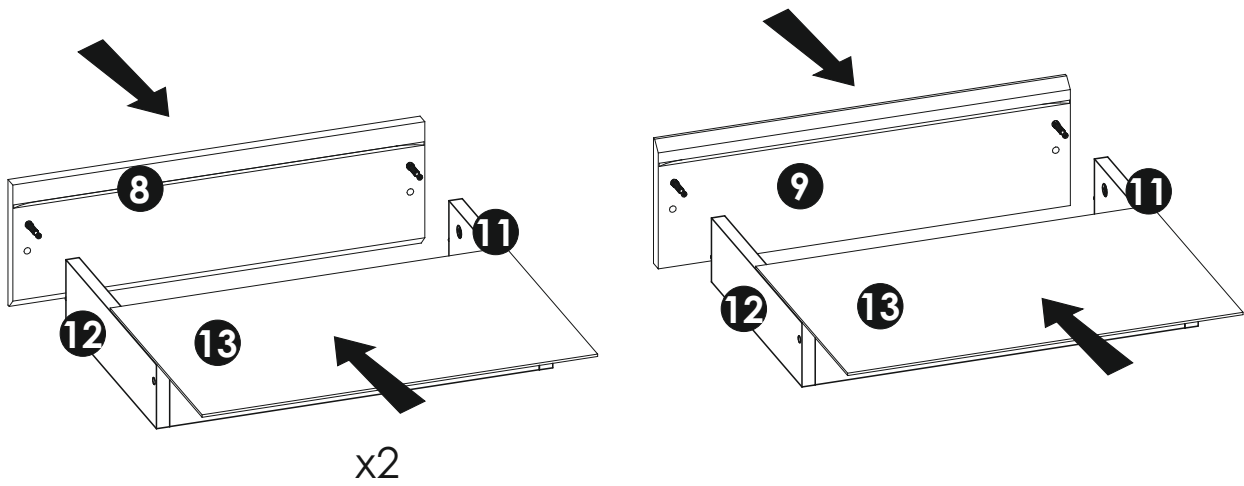
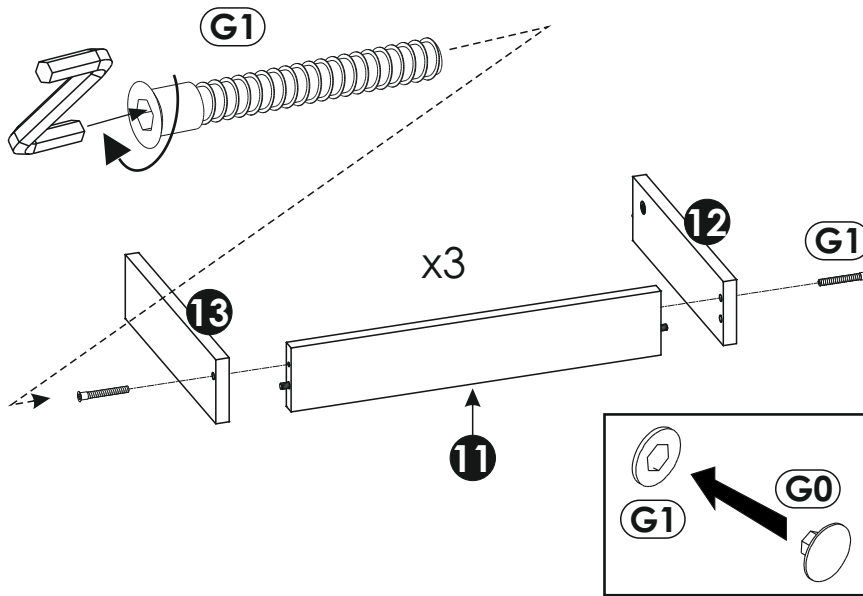
2 ▶



3 ▶

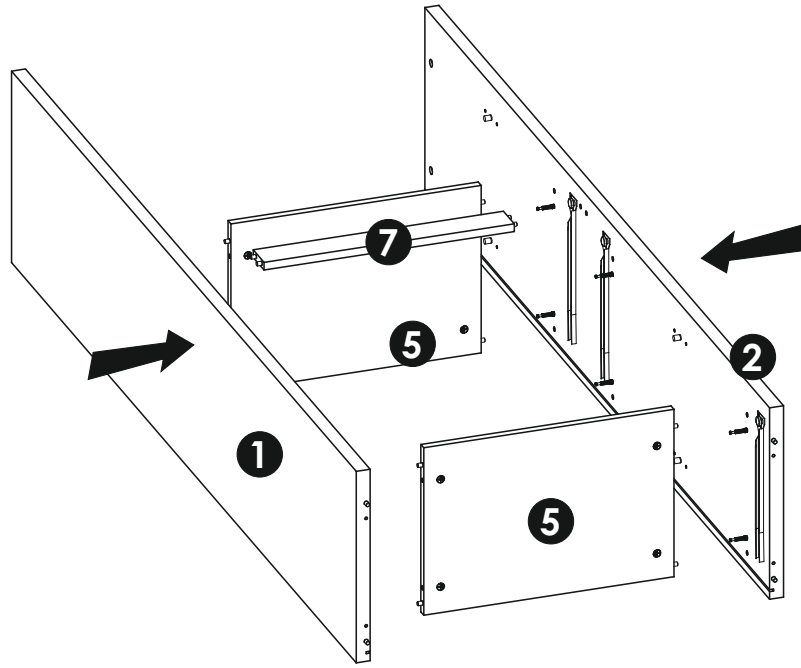


4 ▶

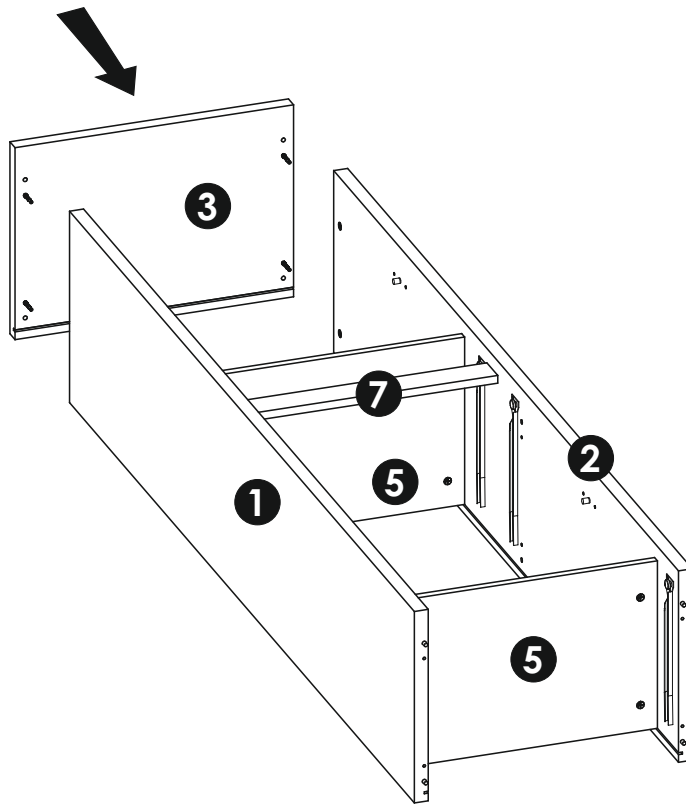




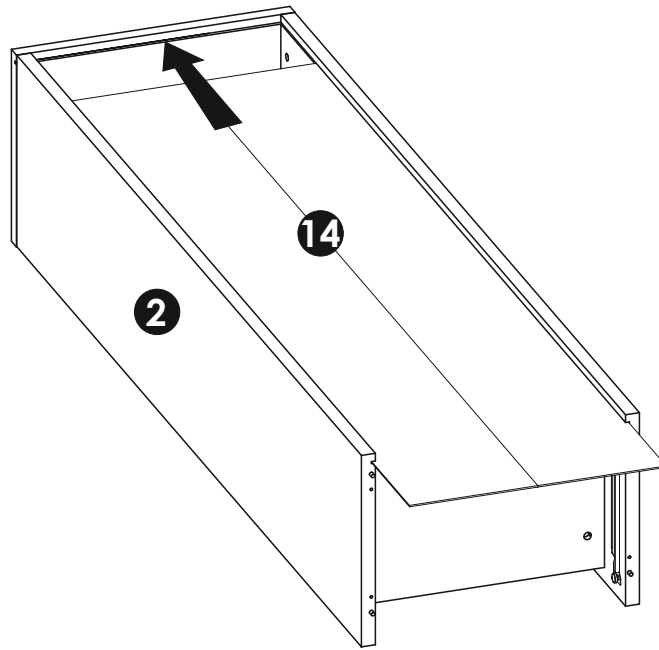
5 ▶



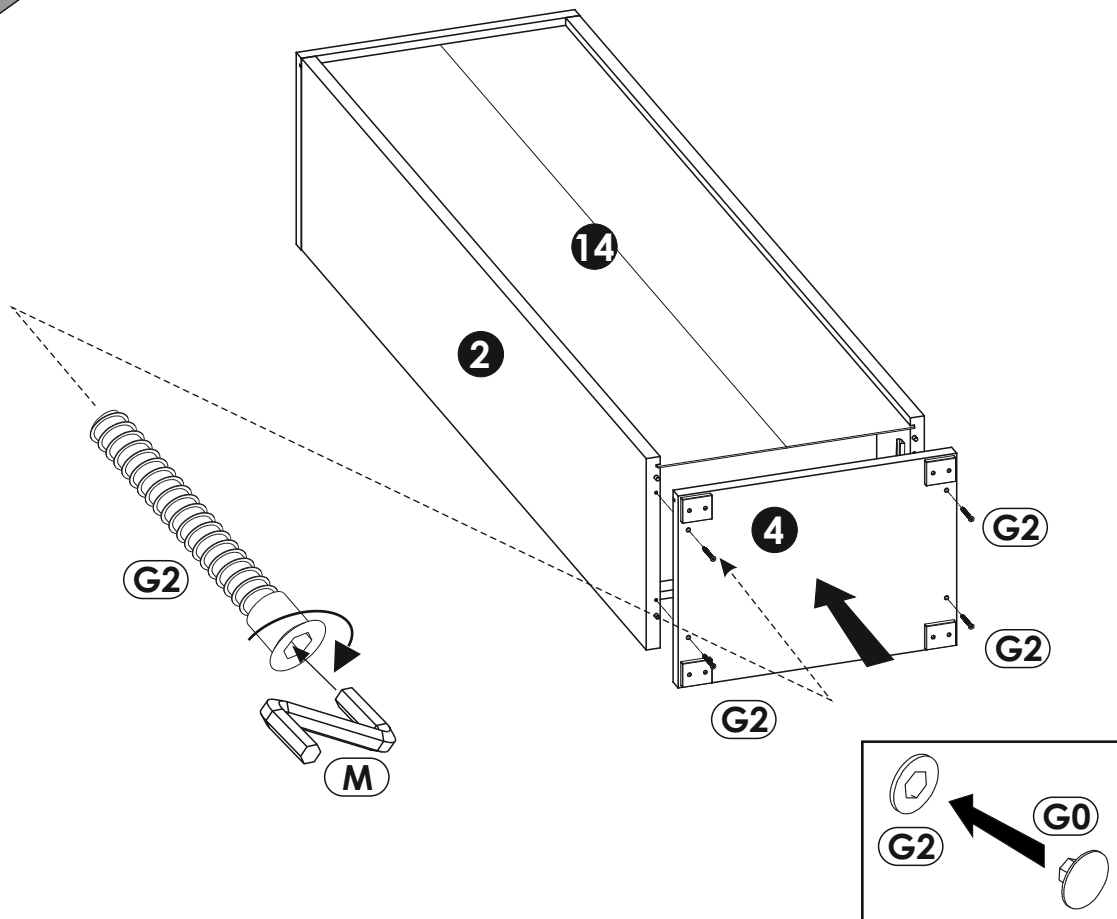
6 ▶

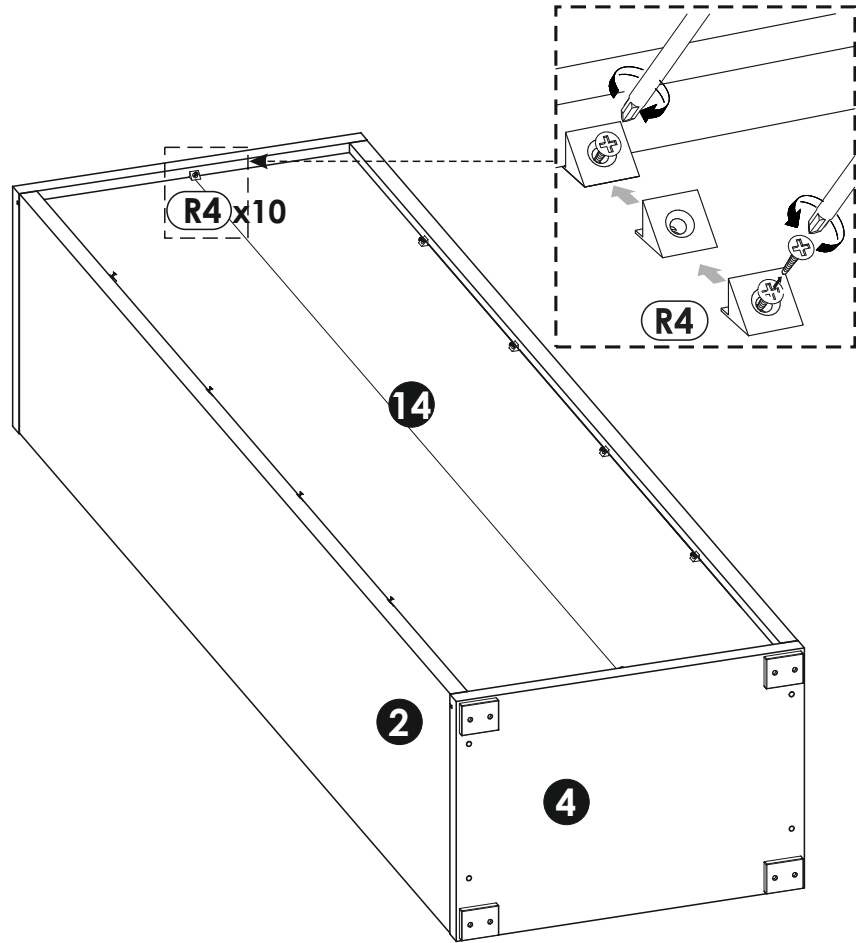
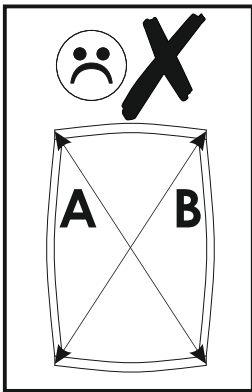
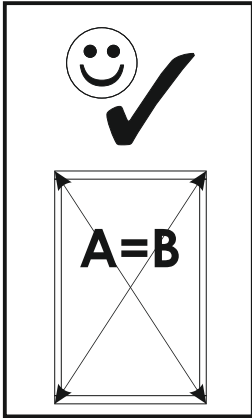


7 ▶

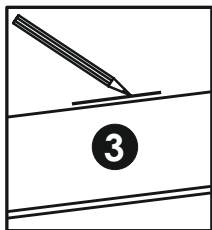
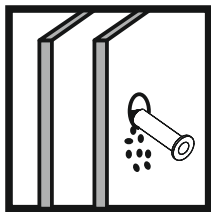
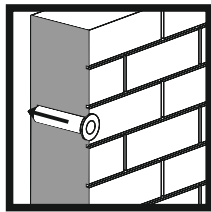


8 ▶

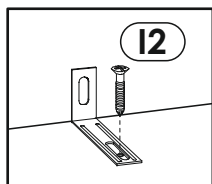
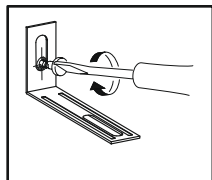
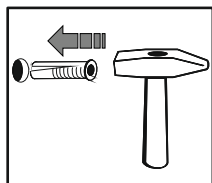
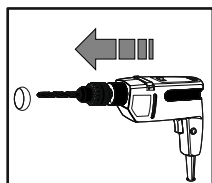
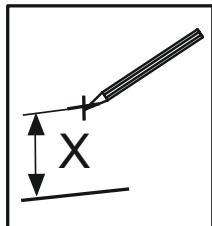




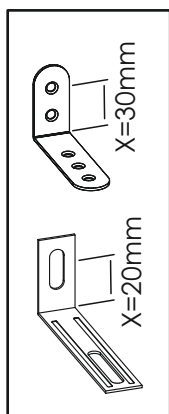
10 ▶



3

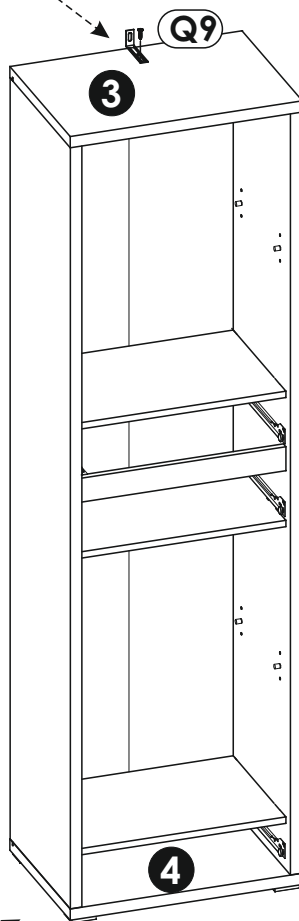
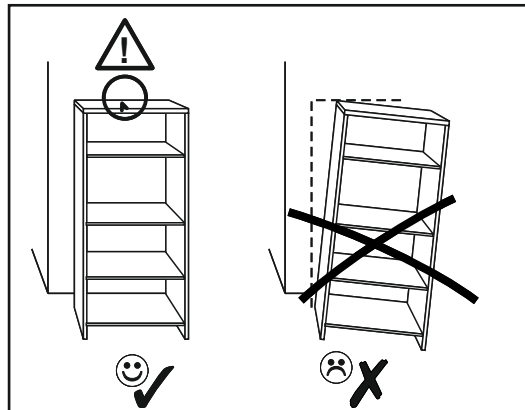


12



X=30mm

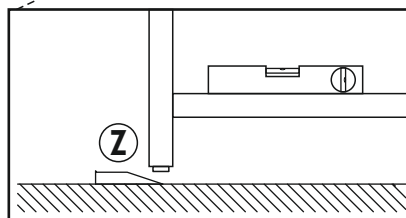
X=20mm



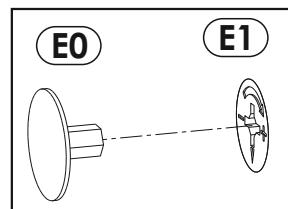
Q9

3

4



Z



E0

E1

