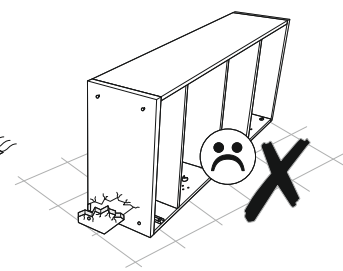
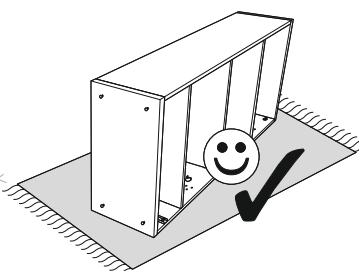
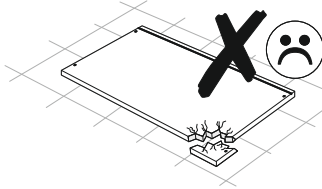
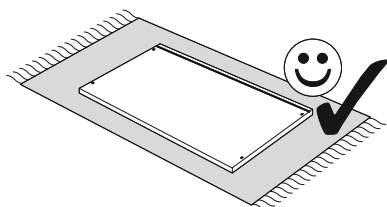
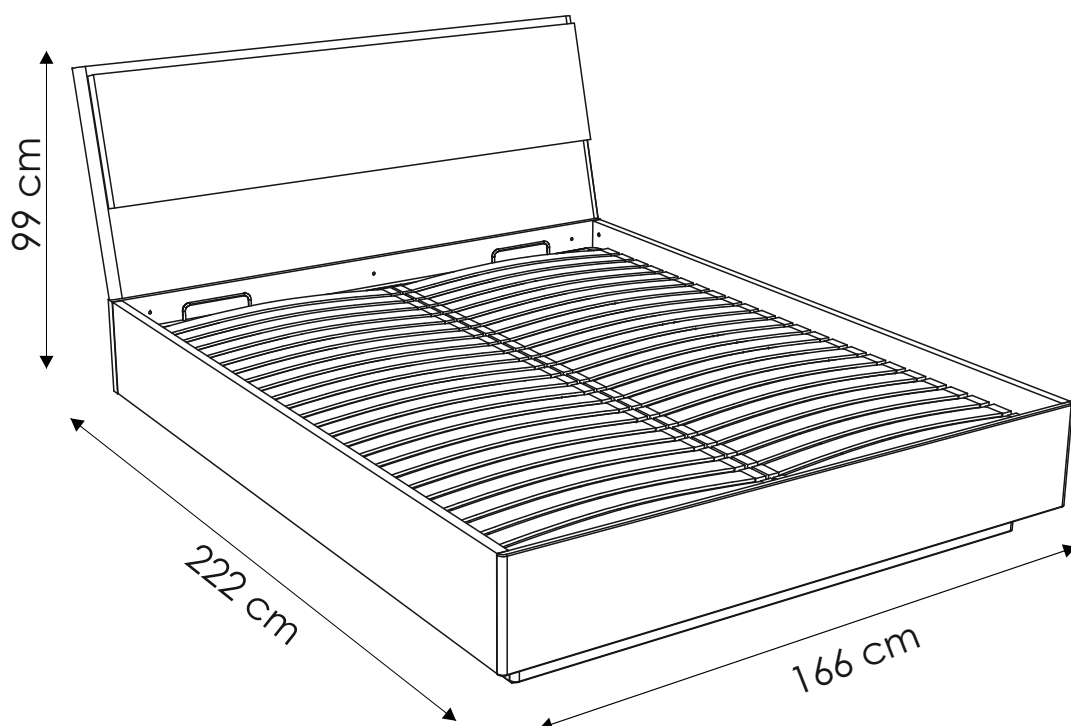
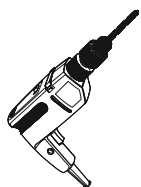
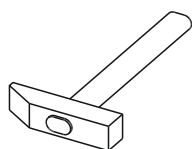
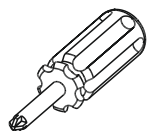
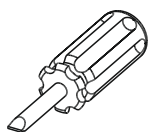
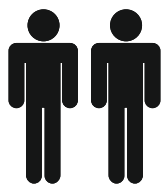
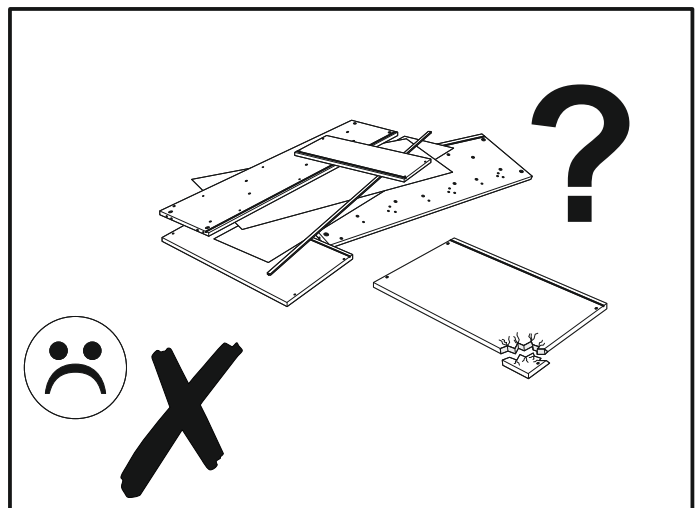
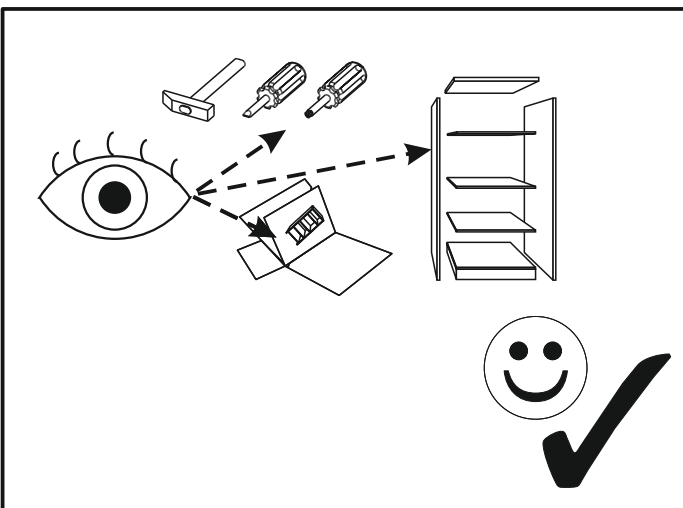
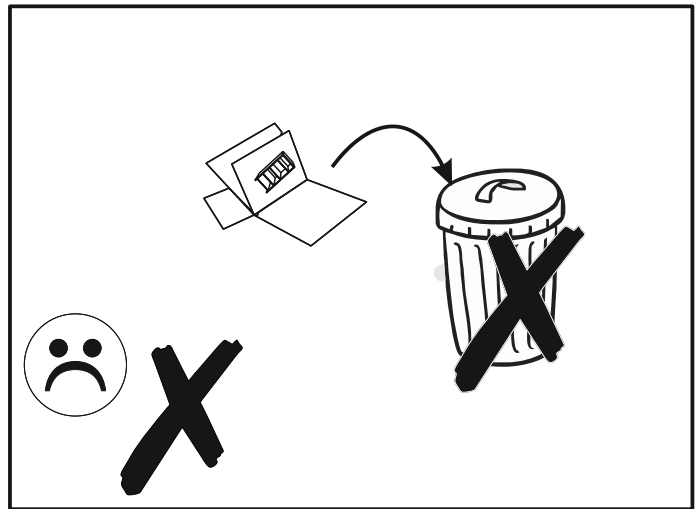
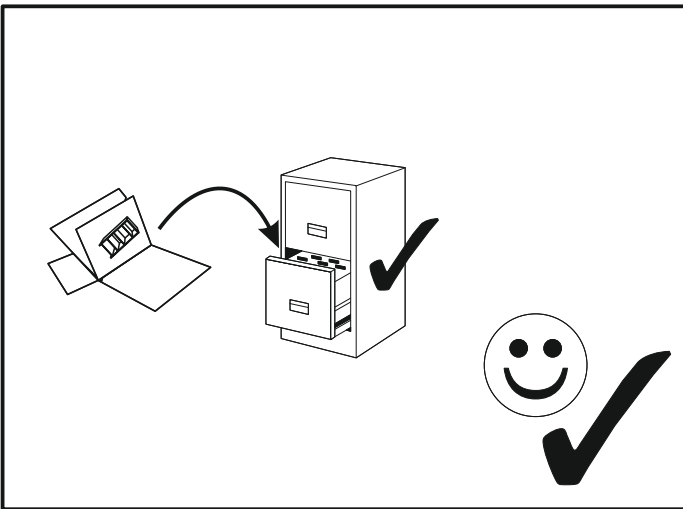
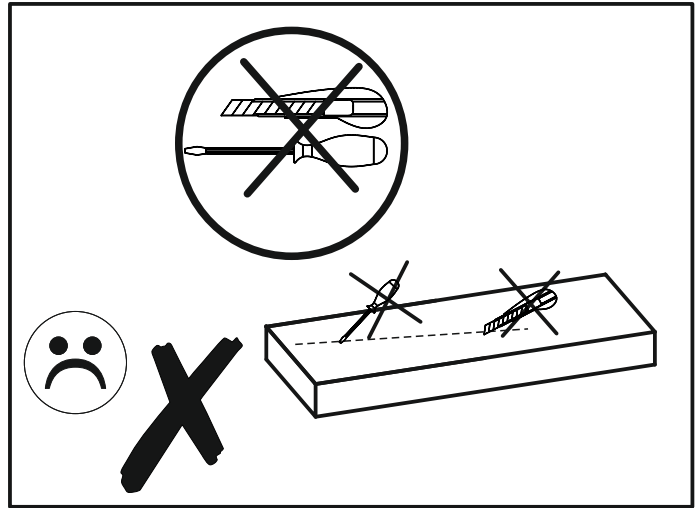
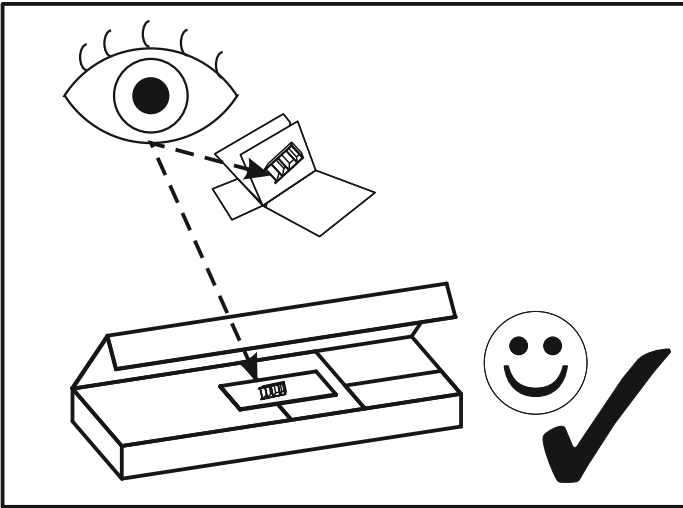
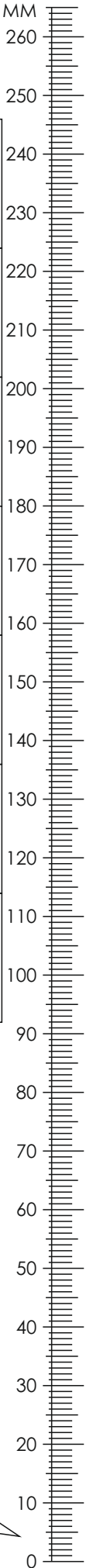


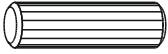
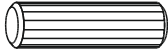
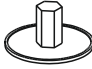







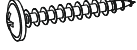

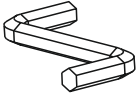


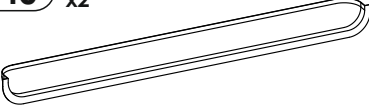





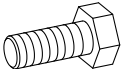

SUMMER TYP 92

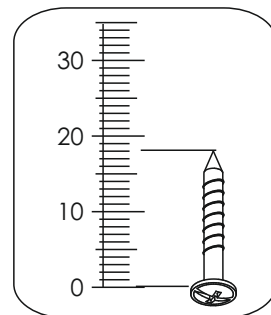
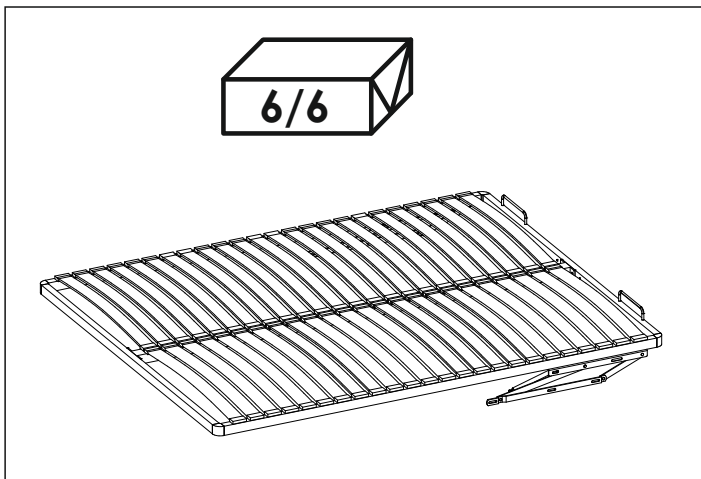




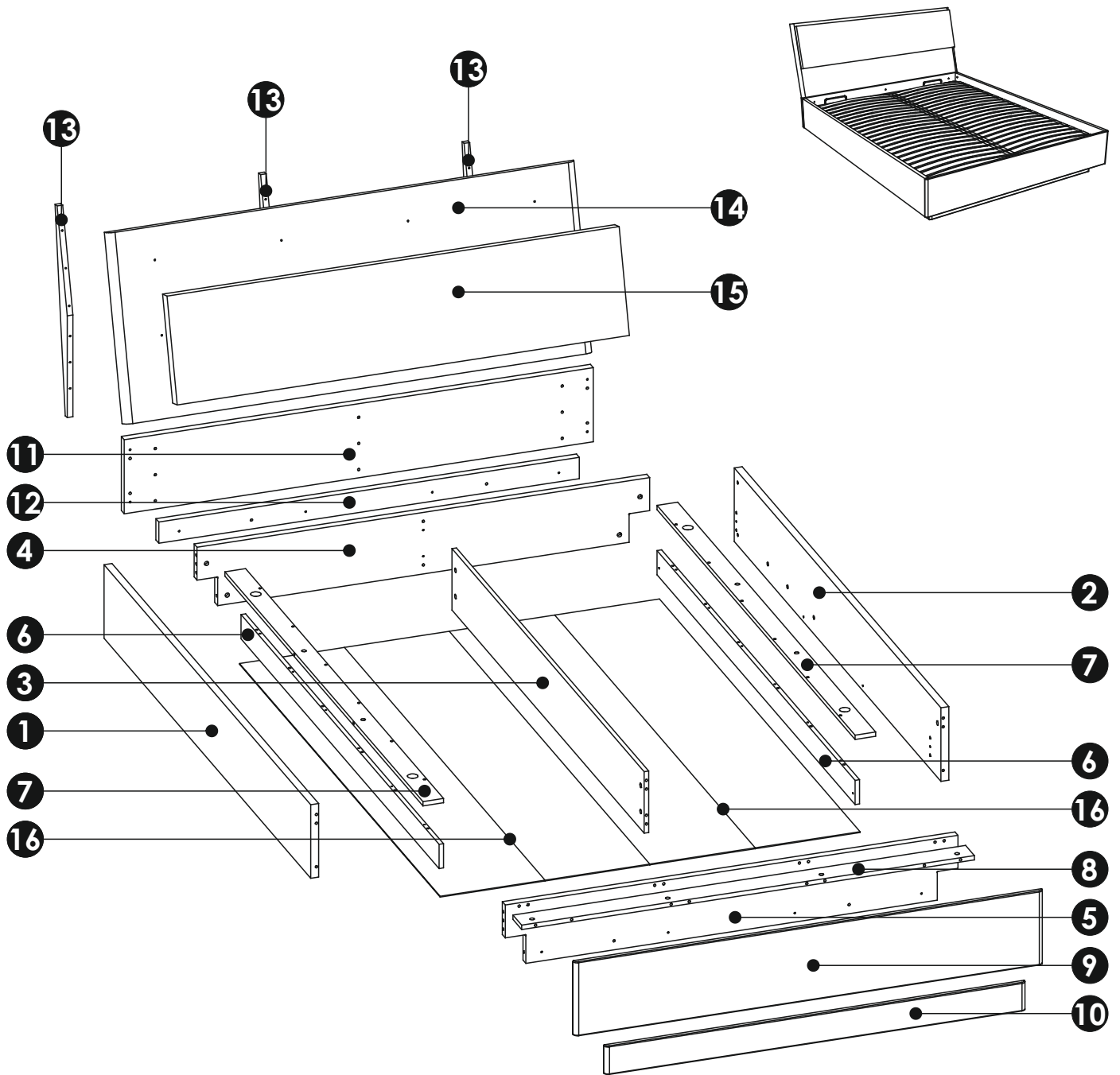
SUMMER TYP 92



A0 x4 $\phi 8 \times 24$ mm 	A1 x40 $\phi 8 \times 35$ mm 	E0 x22 
E1 x22 	F1 x22 	G0 x25 
G1 x12 $\phi 7 \times 50$ mm 	G2 x13 $\phi 7 \times 60$ mm 	I6 x8 4 x 40 mm 
I7 x8 4 x 35 mm 	I8 x9 4 x 27 mm 	I15 x8 3,5 x 16 mm 
M x1 	N1 x100 3 x 16 mm 	O21 x25 
P40 x2 	R1 x13 	R22 x6 
S1 x4 	S2 x4 M6x70 	S18 x6 M8x15 
S19 x6 M8x25 	W16 x4 	



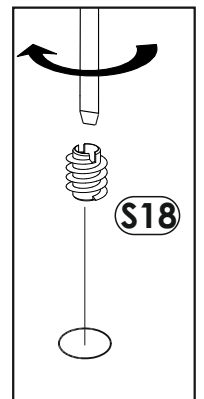
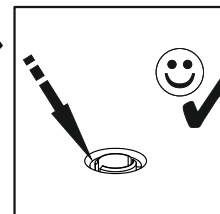
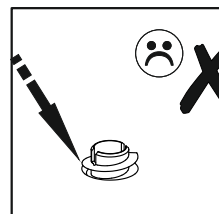
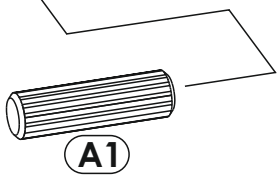
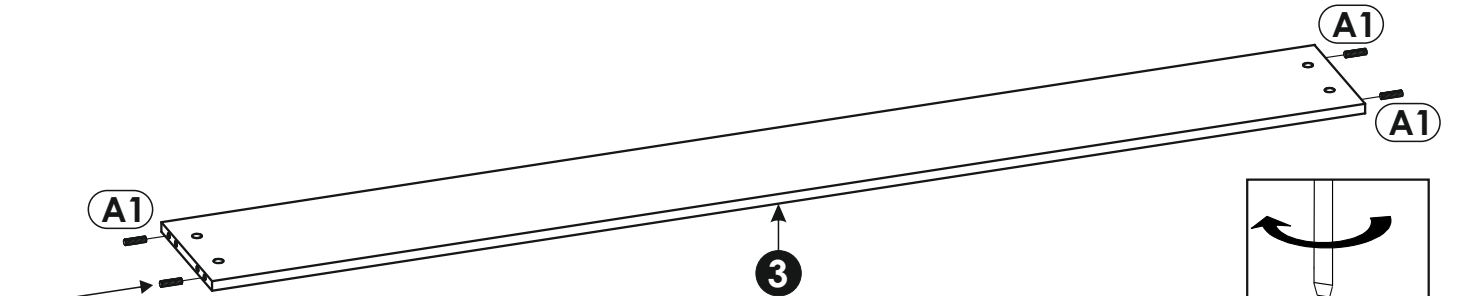
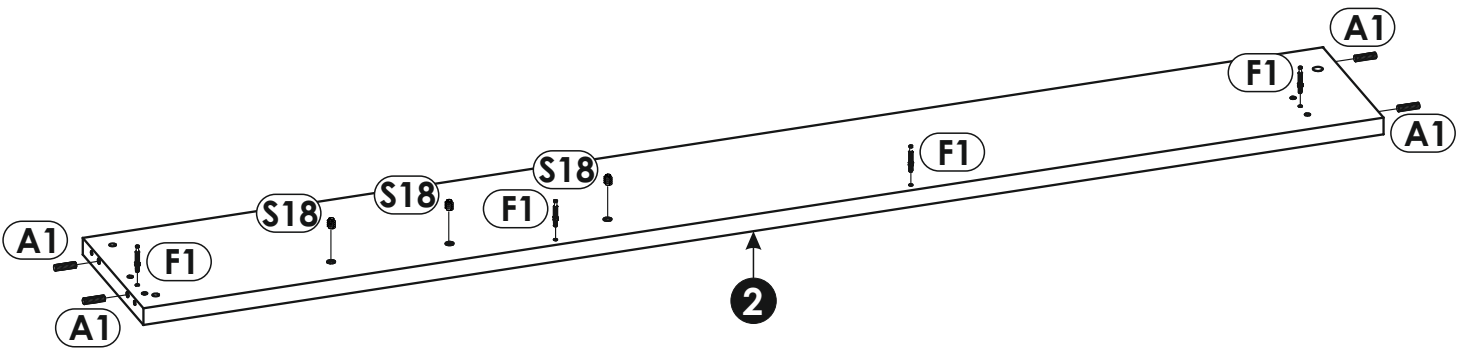
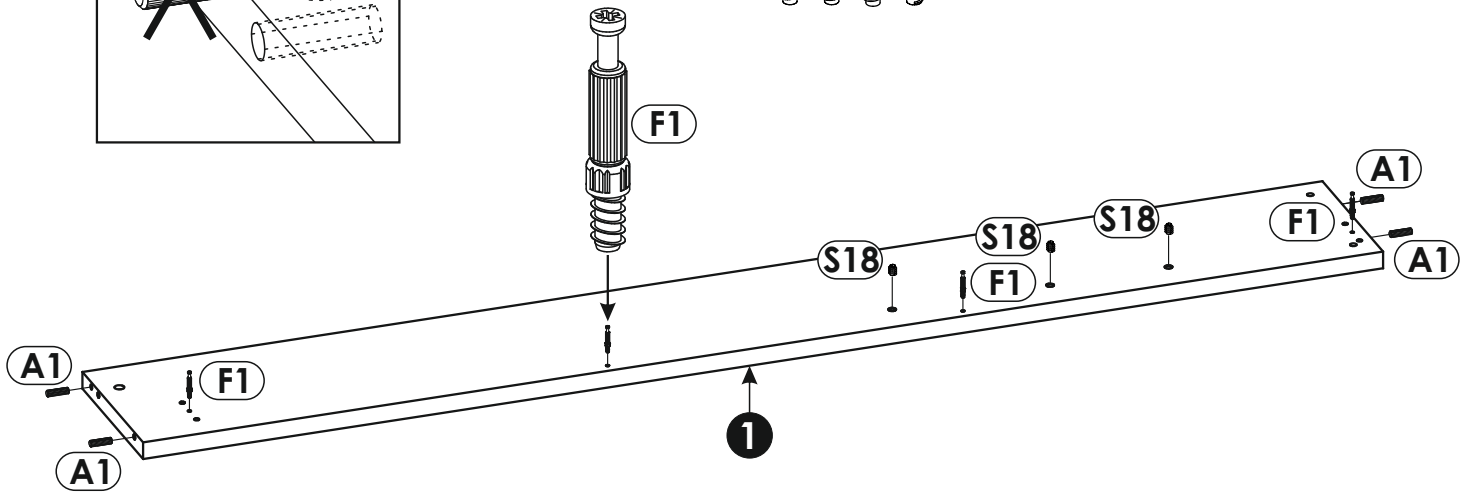
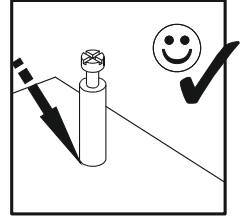
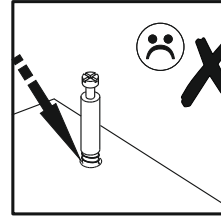
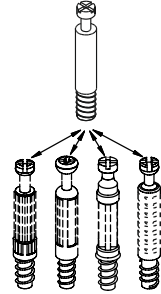
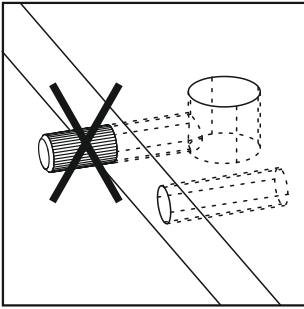
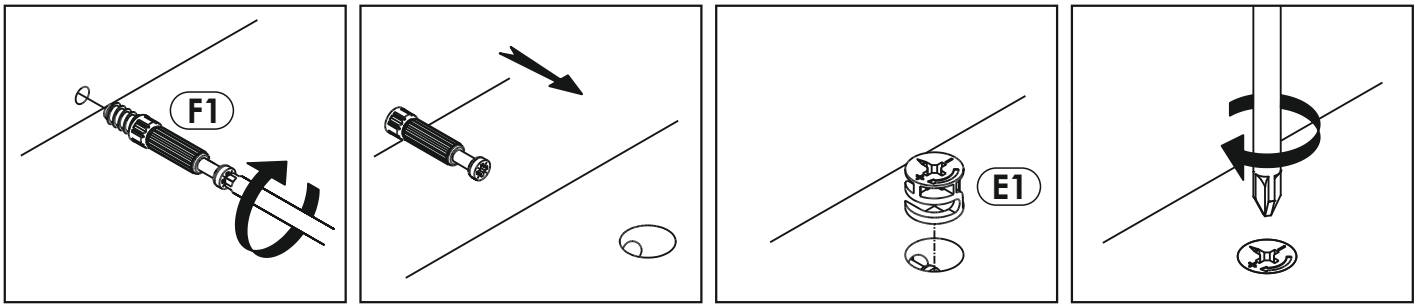
SUMMER TYP 92



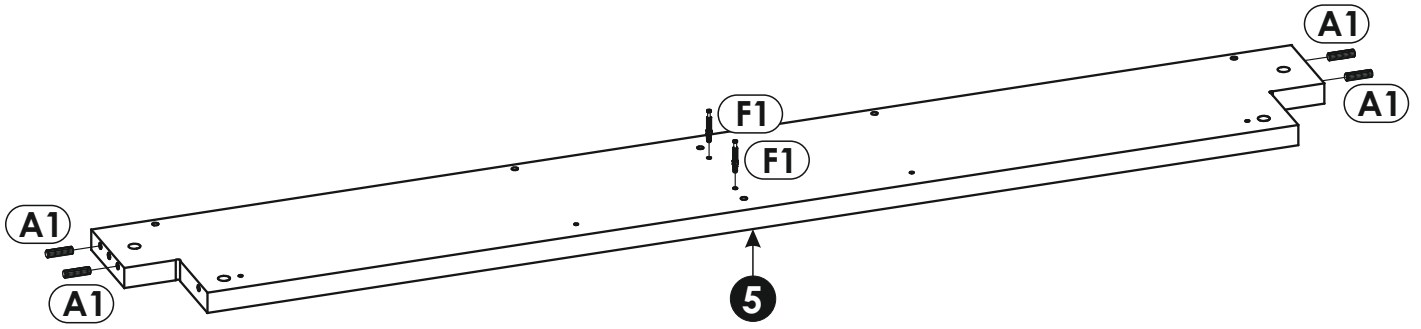
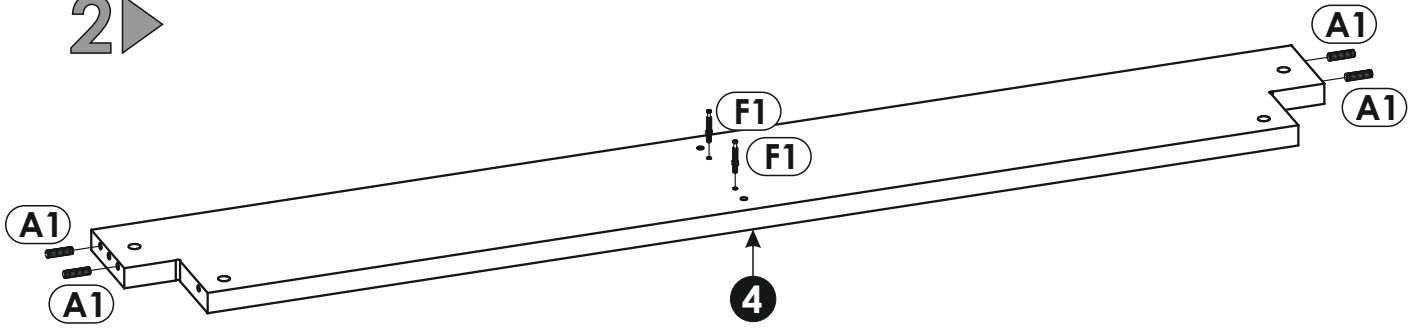
1	2010	270	28	x1	3/6
2	2010	270	28	x1	3/6
3	1869	226	16	x1	1/6
4	1602	226	28	x1	2/6
5	1602	226	28	x1	2/6
6	1925	89	16	x2	4/6

7	1925	73	16	x2	4/6
8	1602	85	16	x1	1/6
9	1660	272	16	x1	1/6
10	1490	105	16	x1	1/6
11	1660	272	28	x1	1/6
12	1488	78	28	x1	3/6

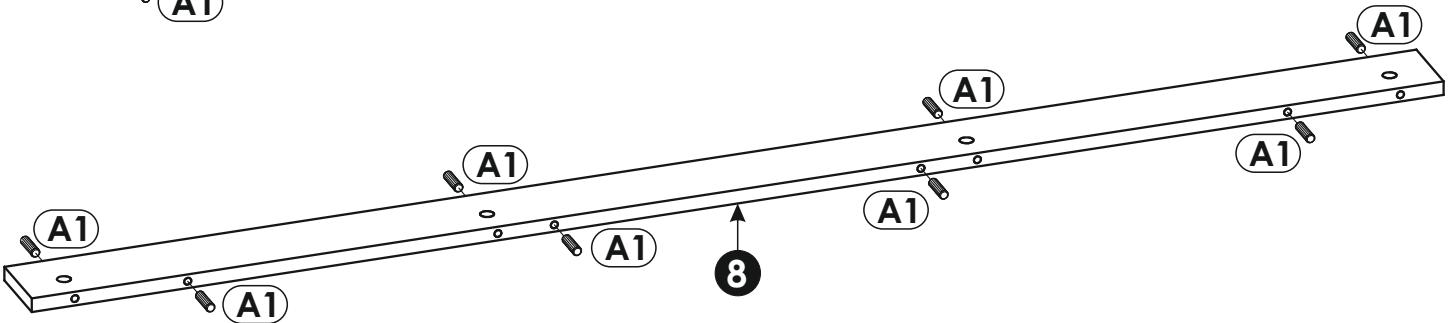
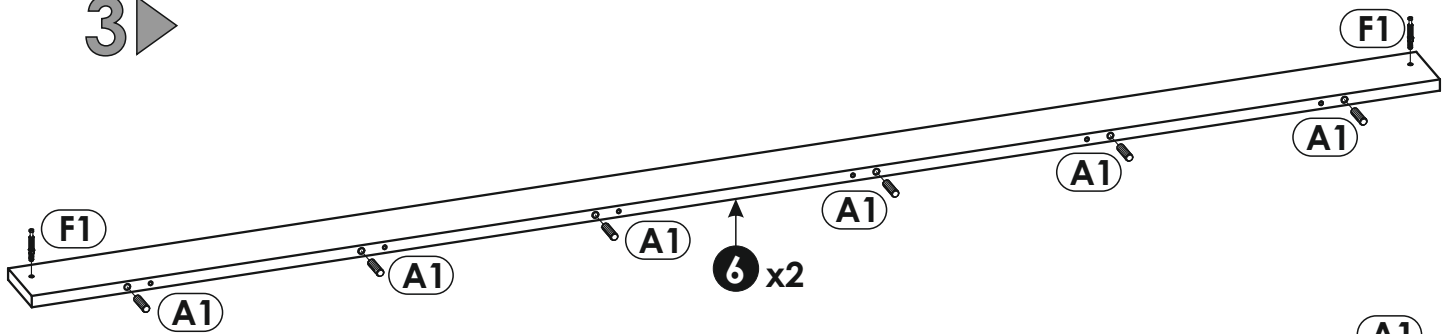
13	740	70	20	x3	4/6
14	1660	650	28	x1	2/6
15	1600	370	45	x1	5/6
16	1950	742	3	x2	4/6



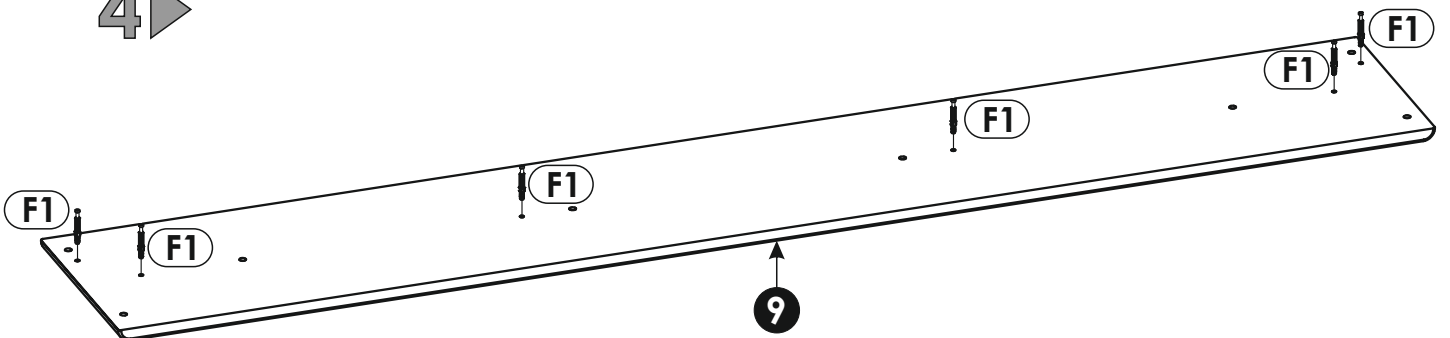
2▶



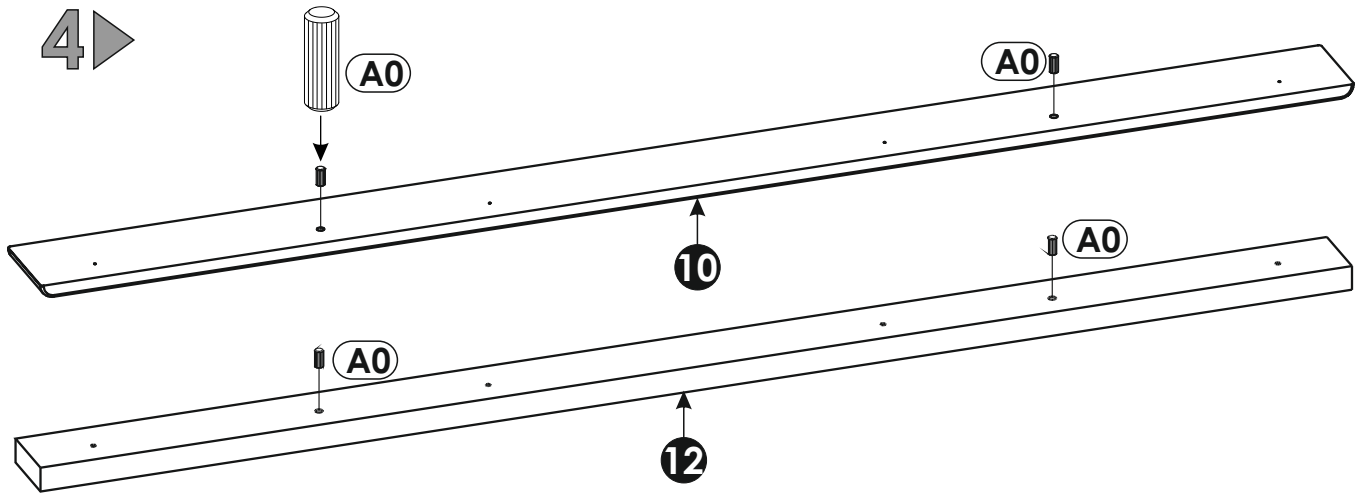
3▶



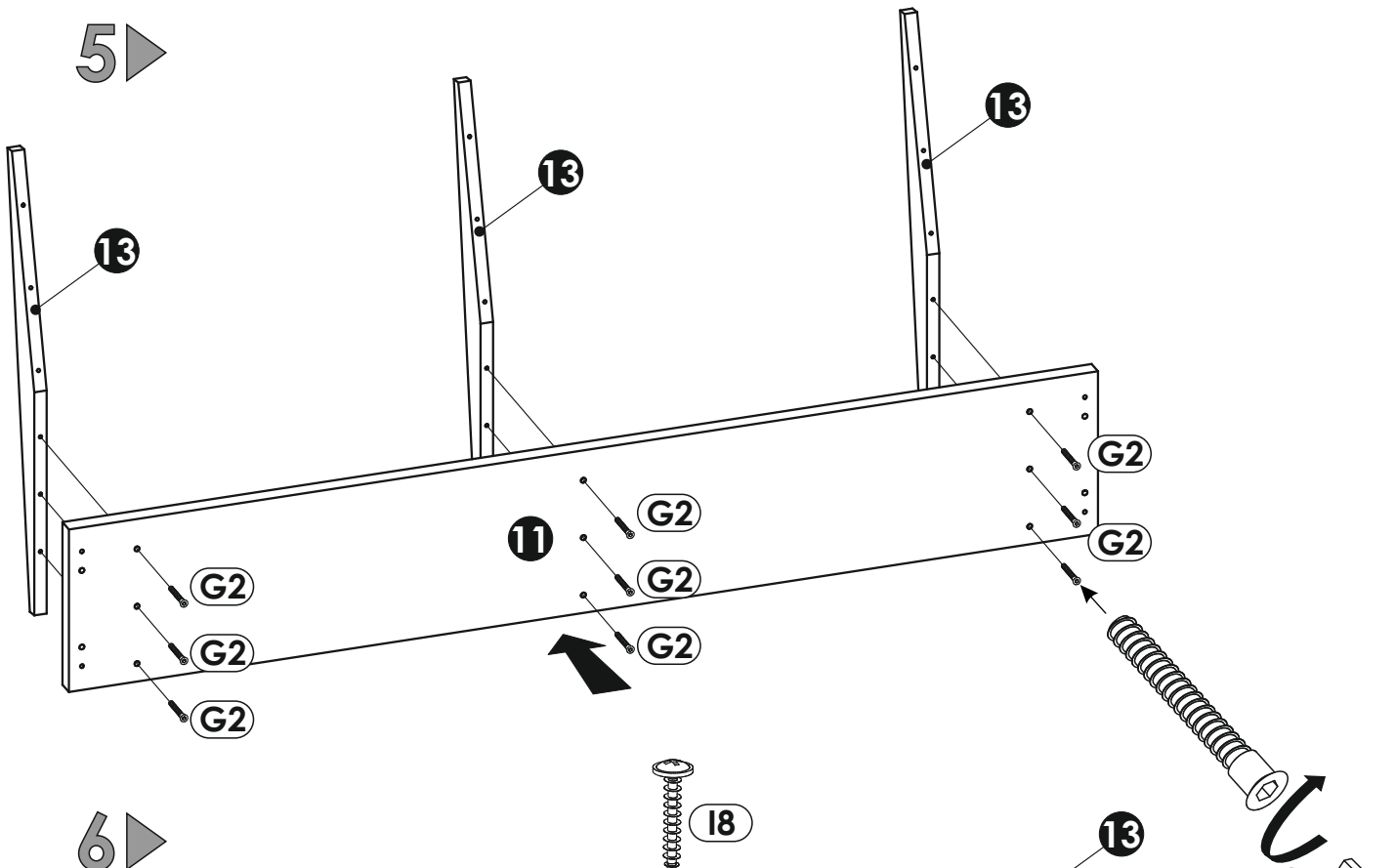
4▶



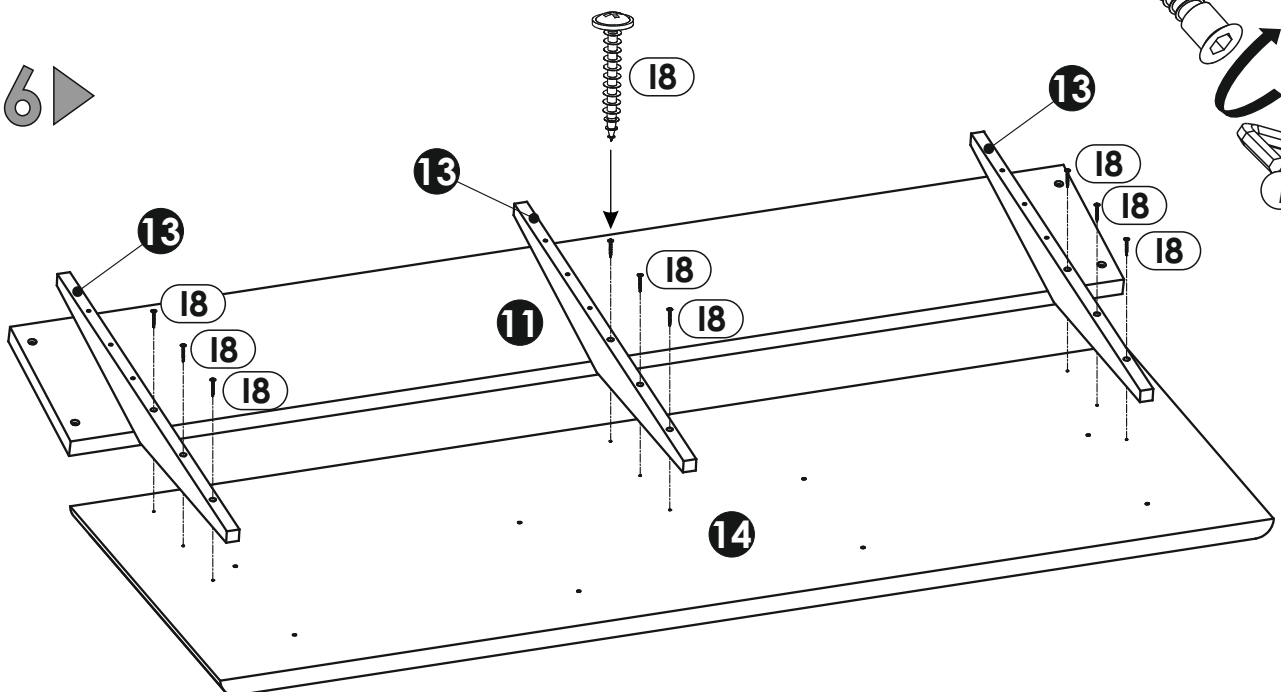
4 ▶



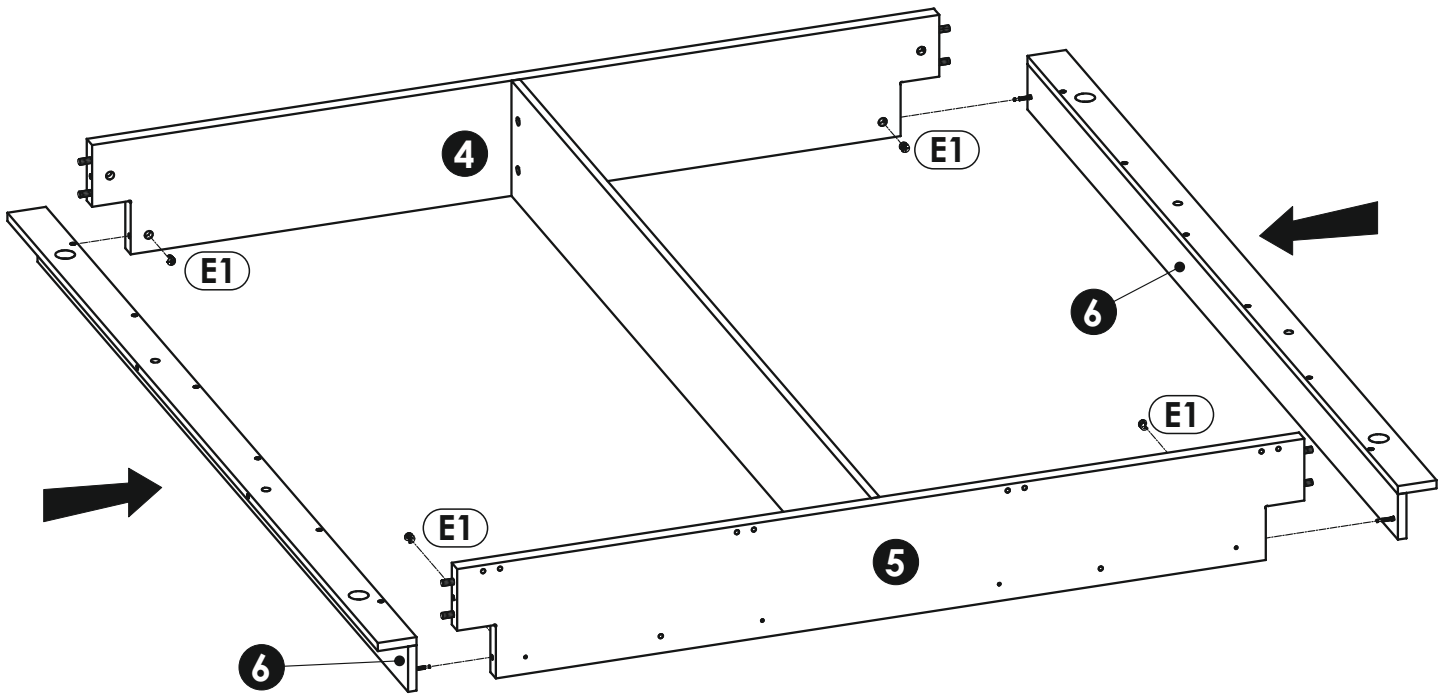
5 ▶



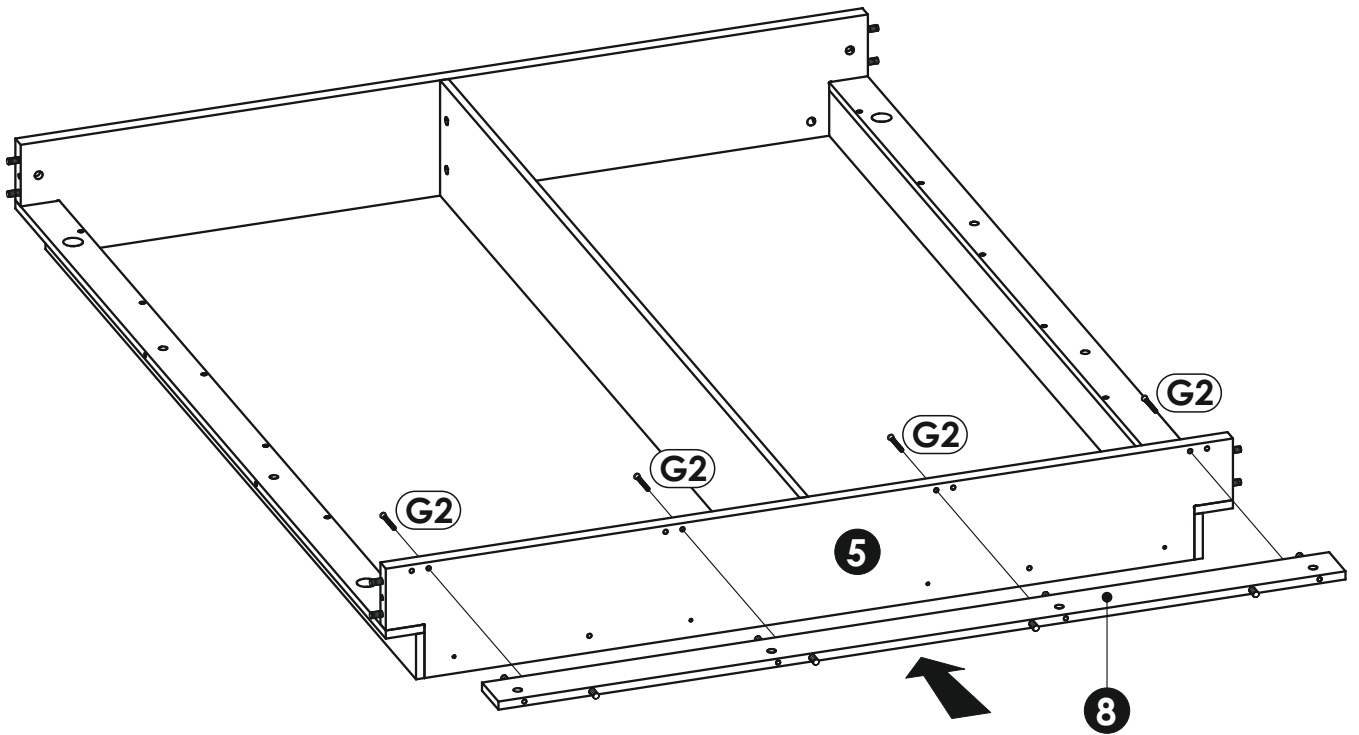
6 ▶

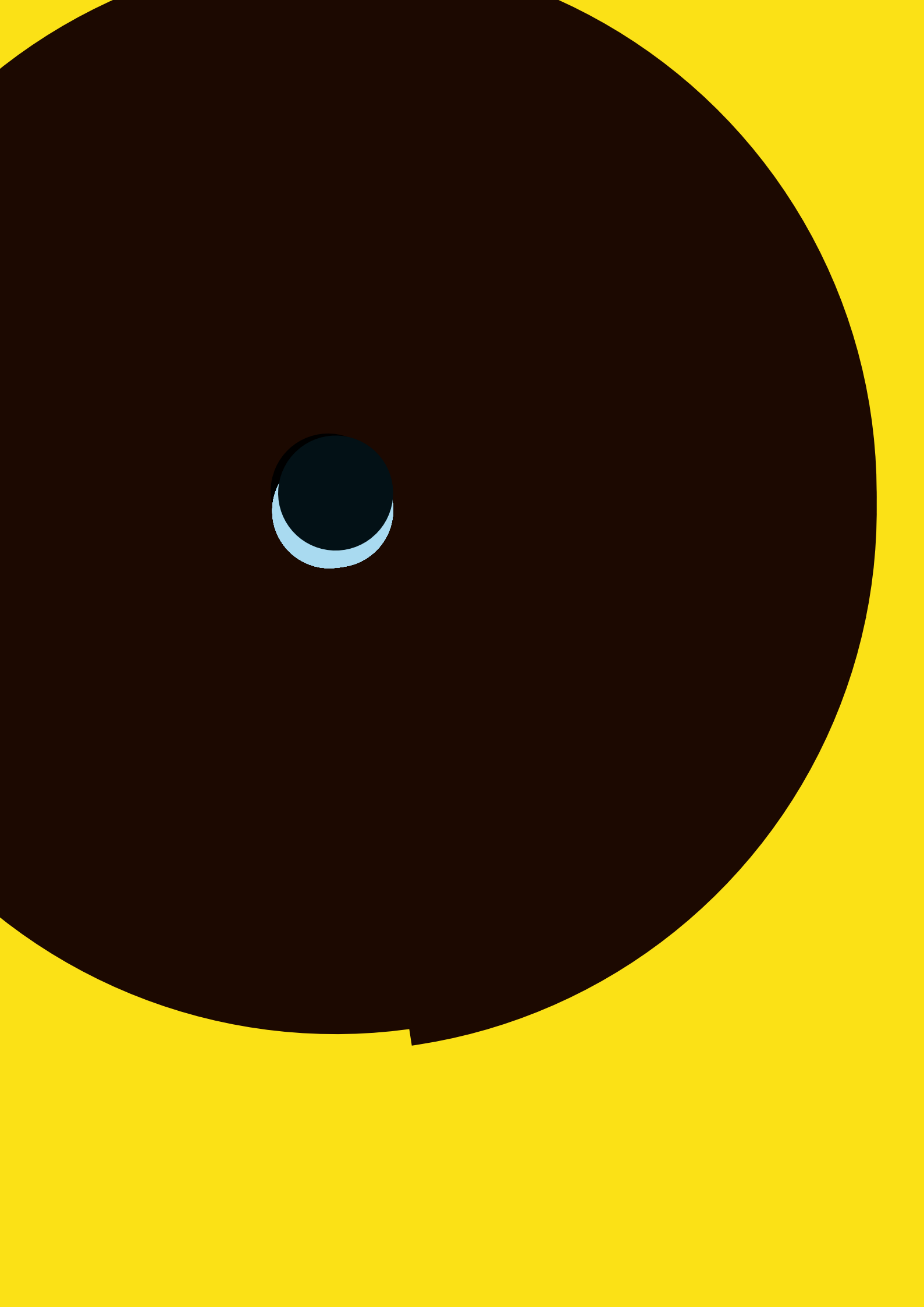


9 ▶

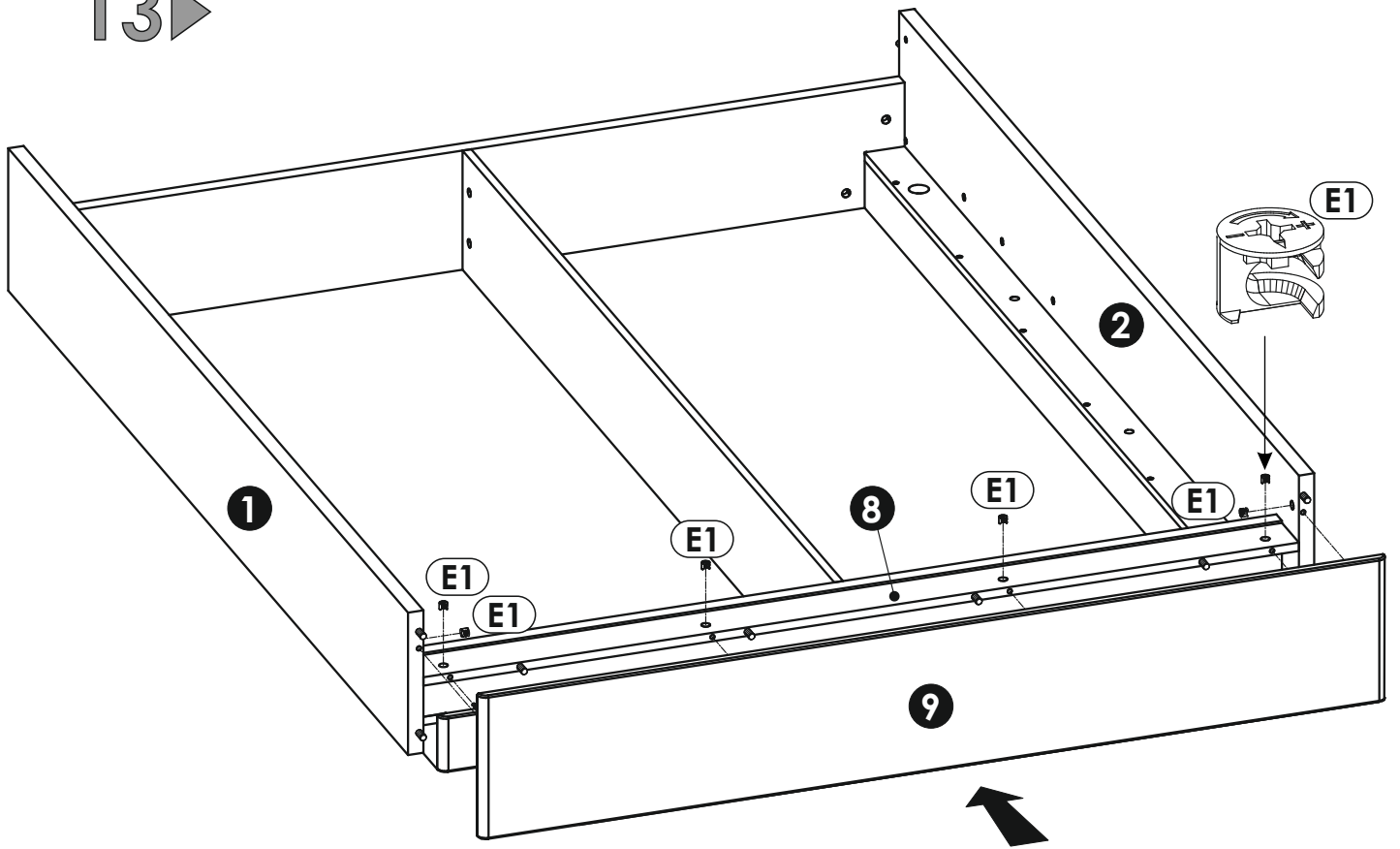


10 ▶

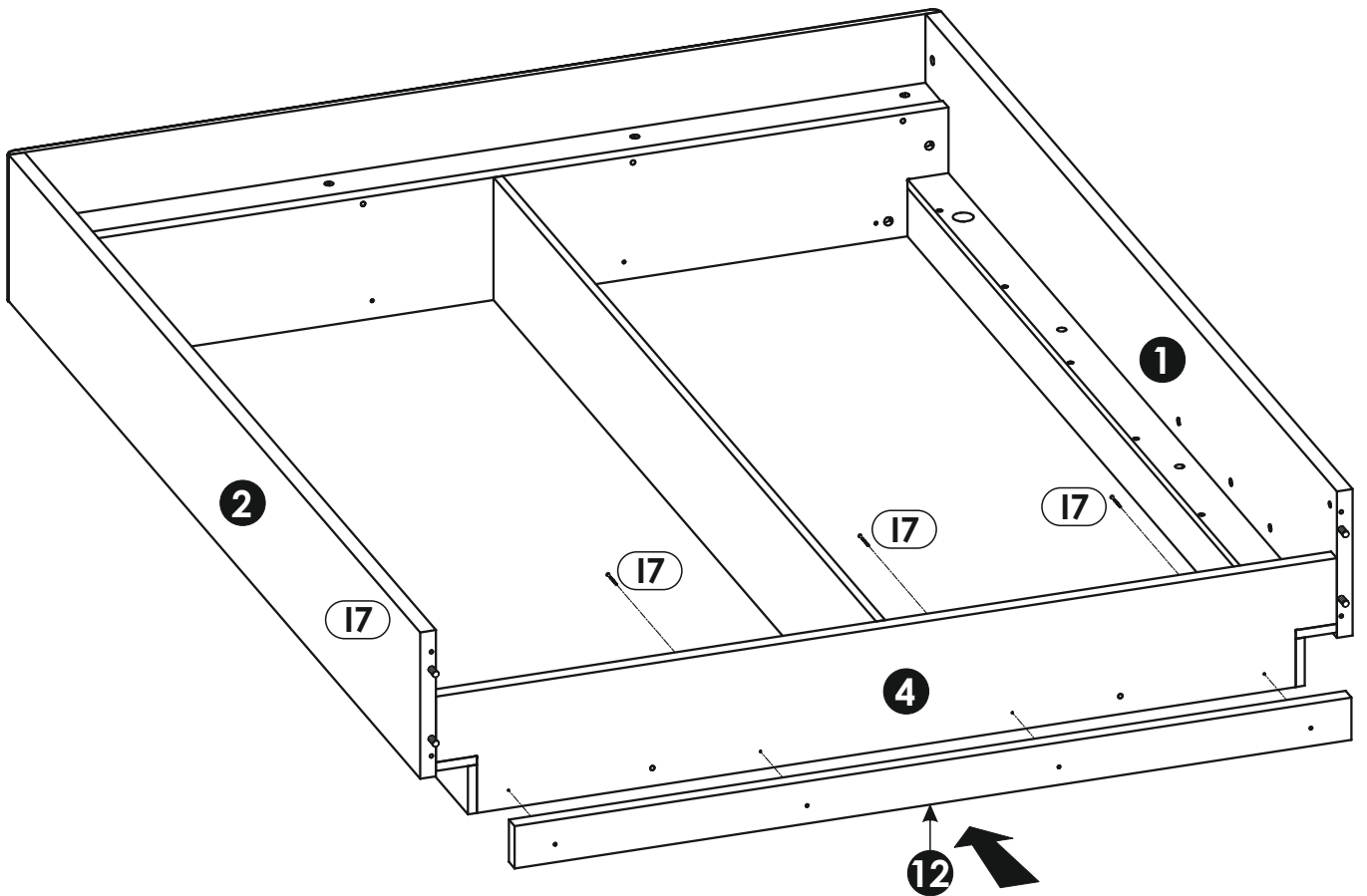




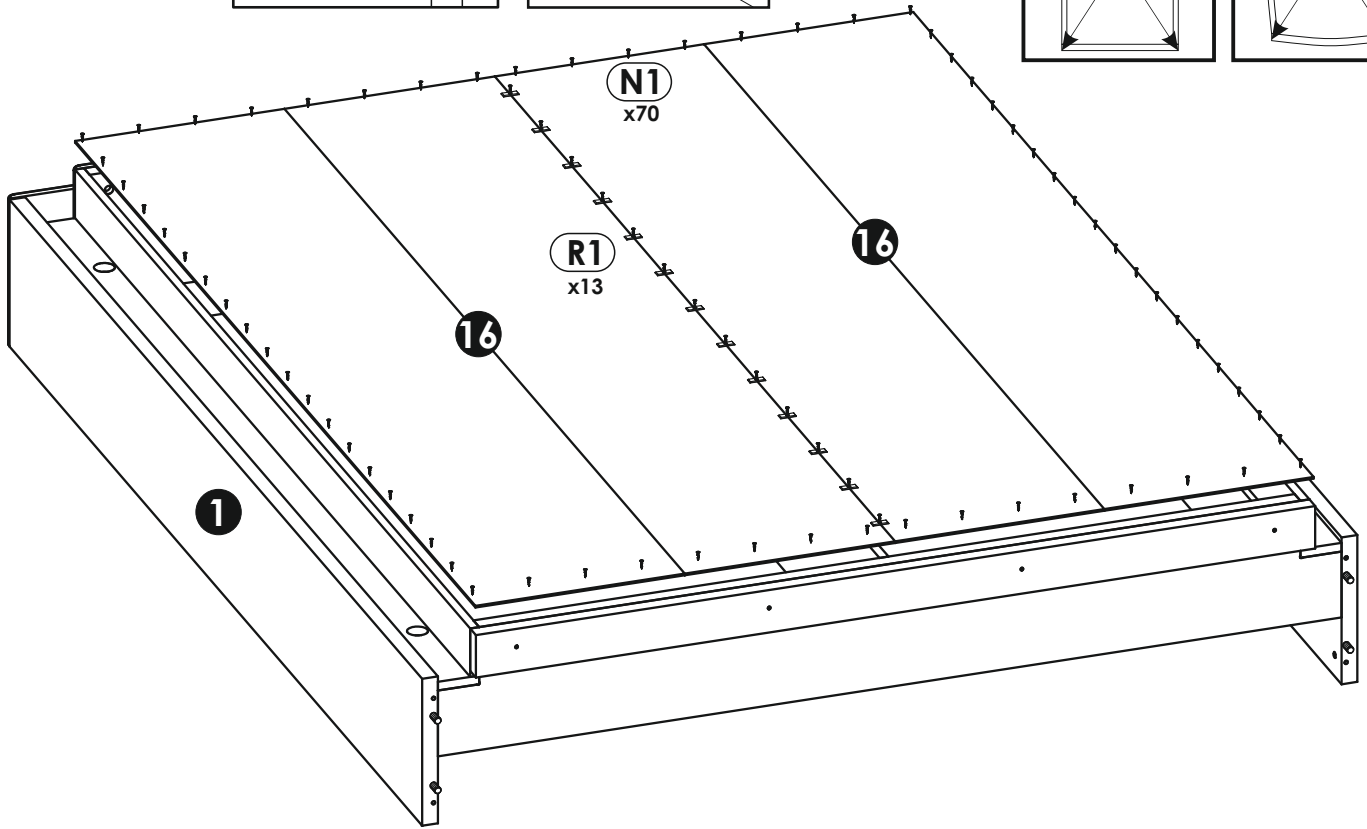
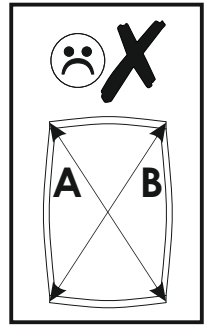
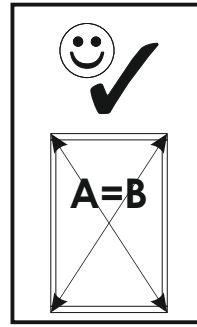
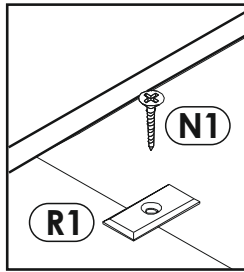
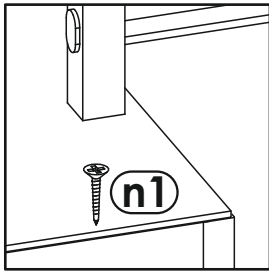
13 ▶



14 ▶

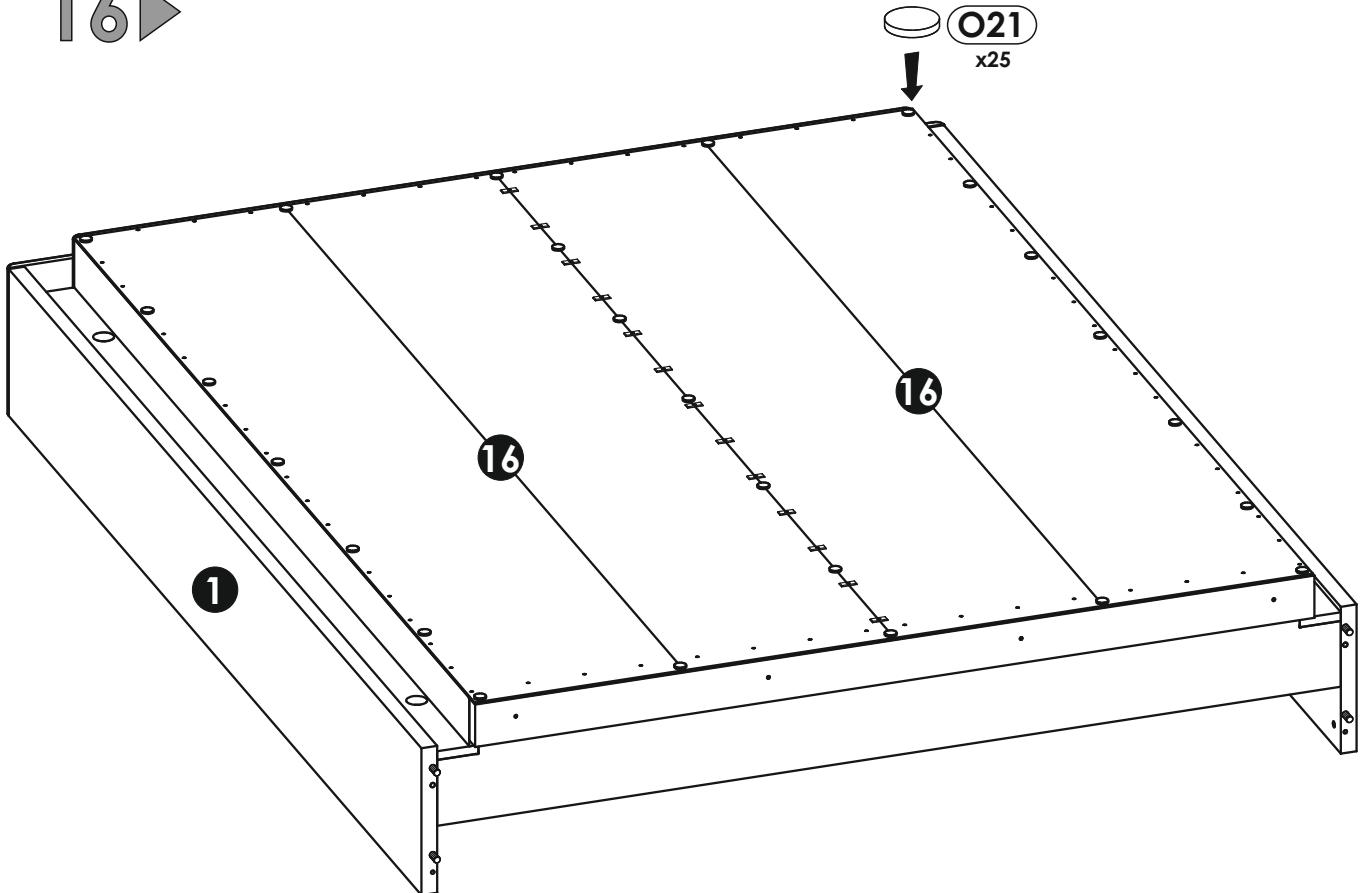


15 ▶

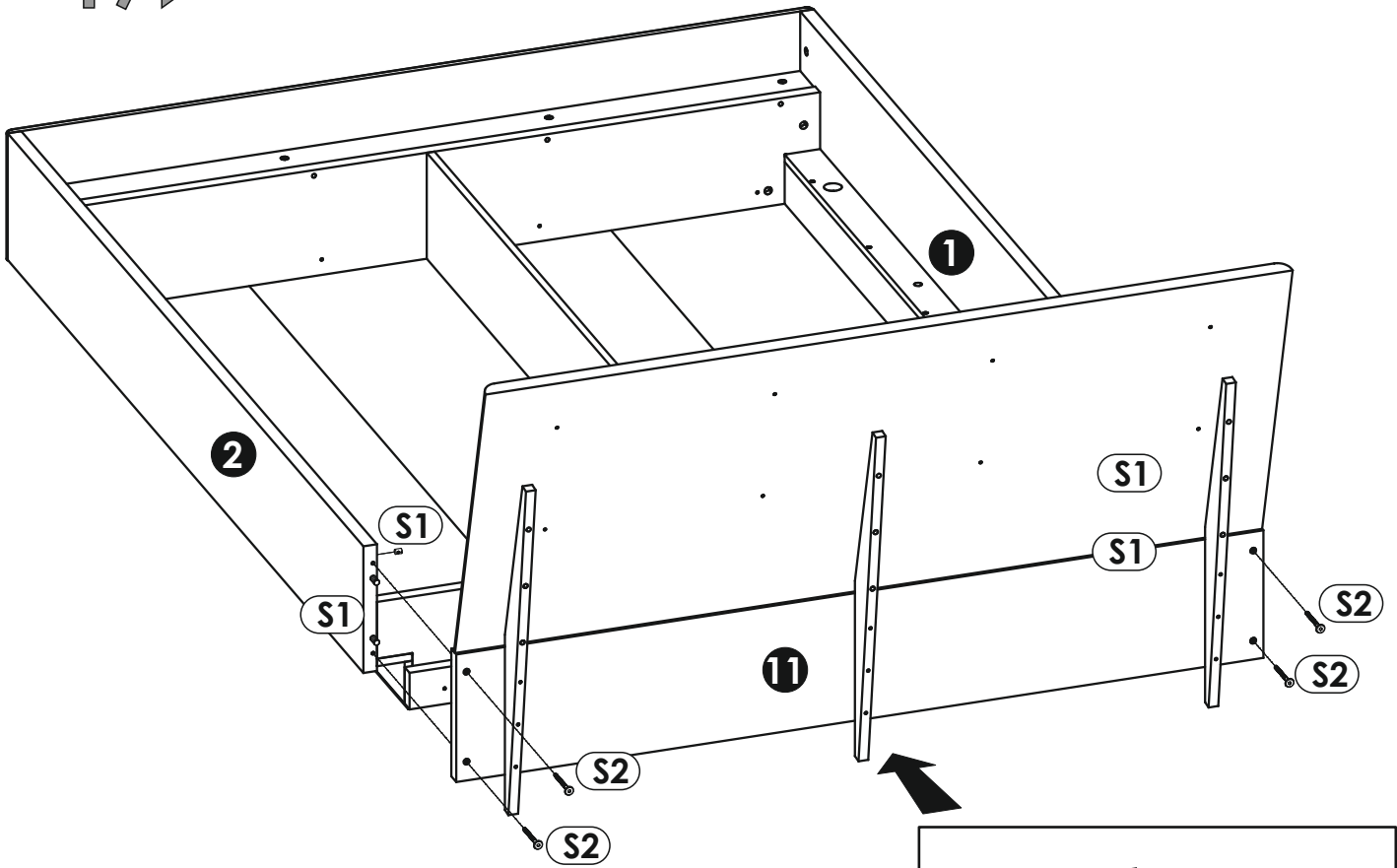


16 ▶

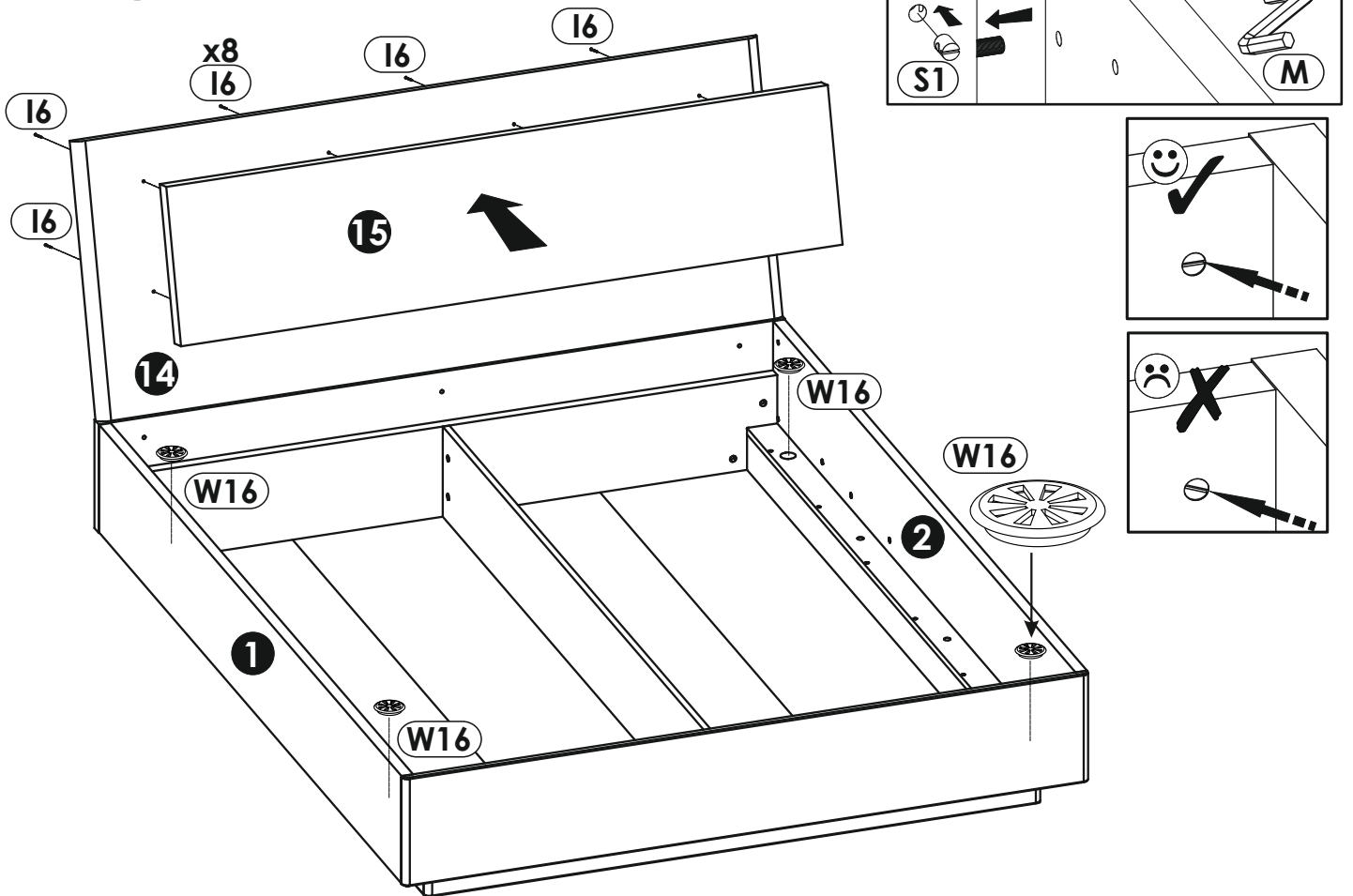
O21
x25



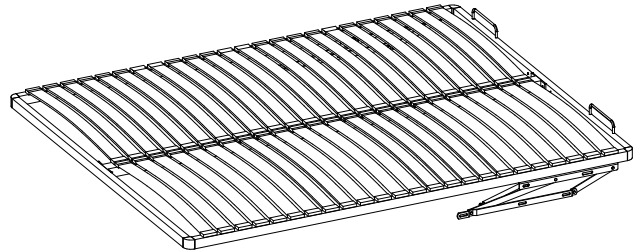
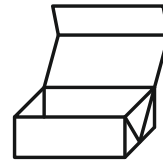
17 ▶



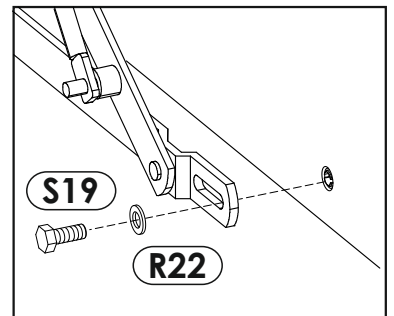
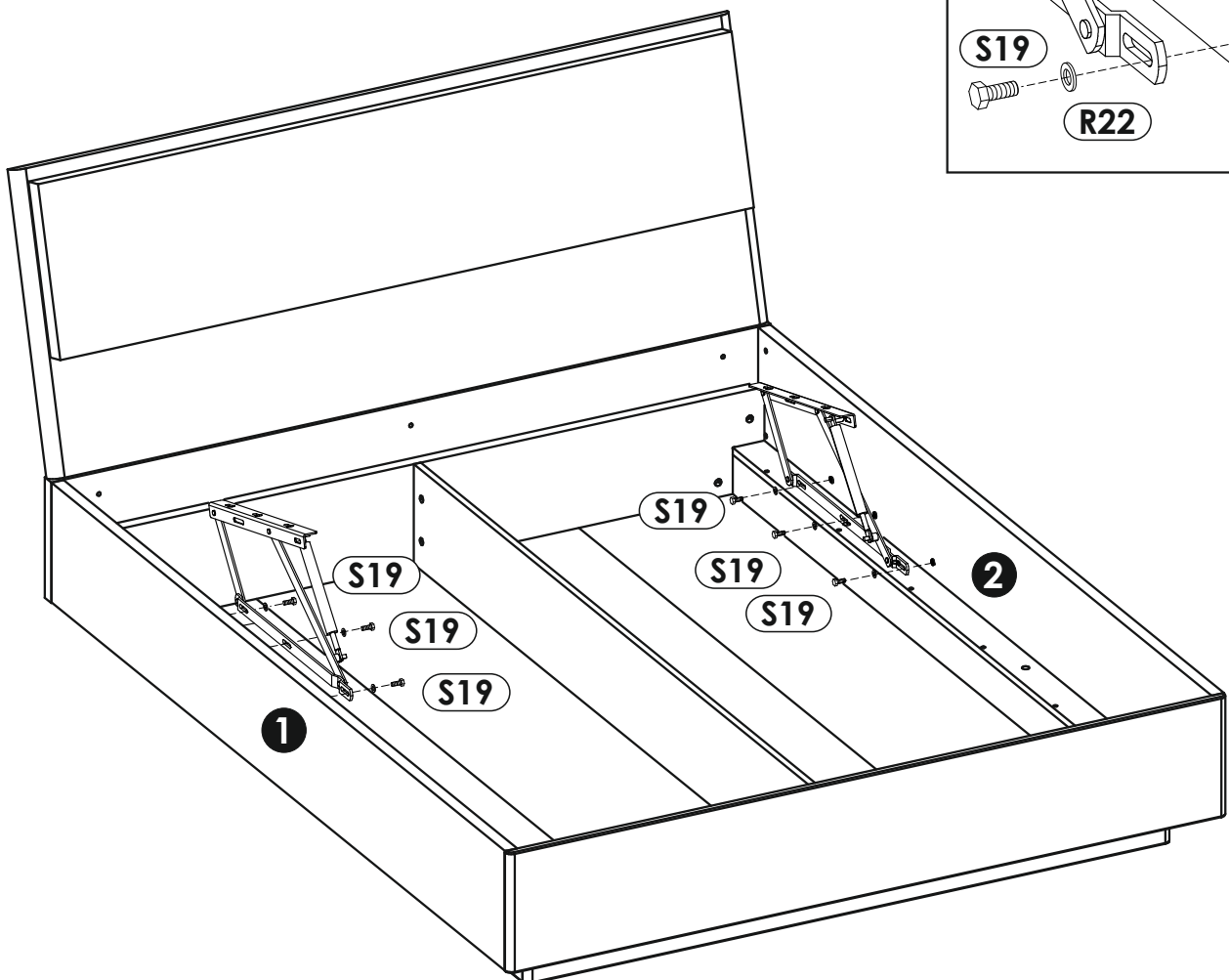
18 ▶



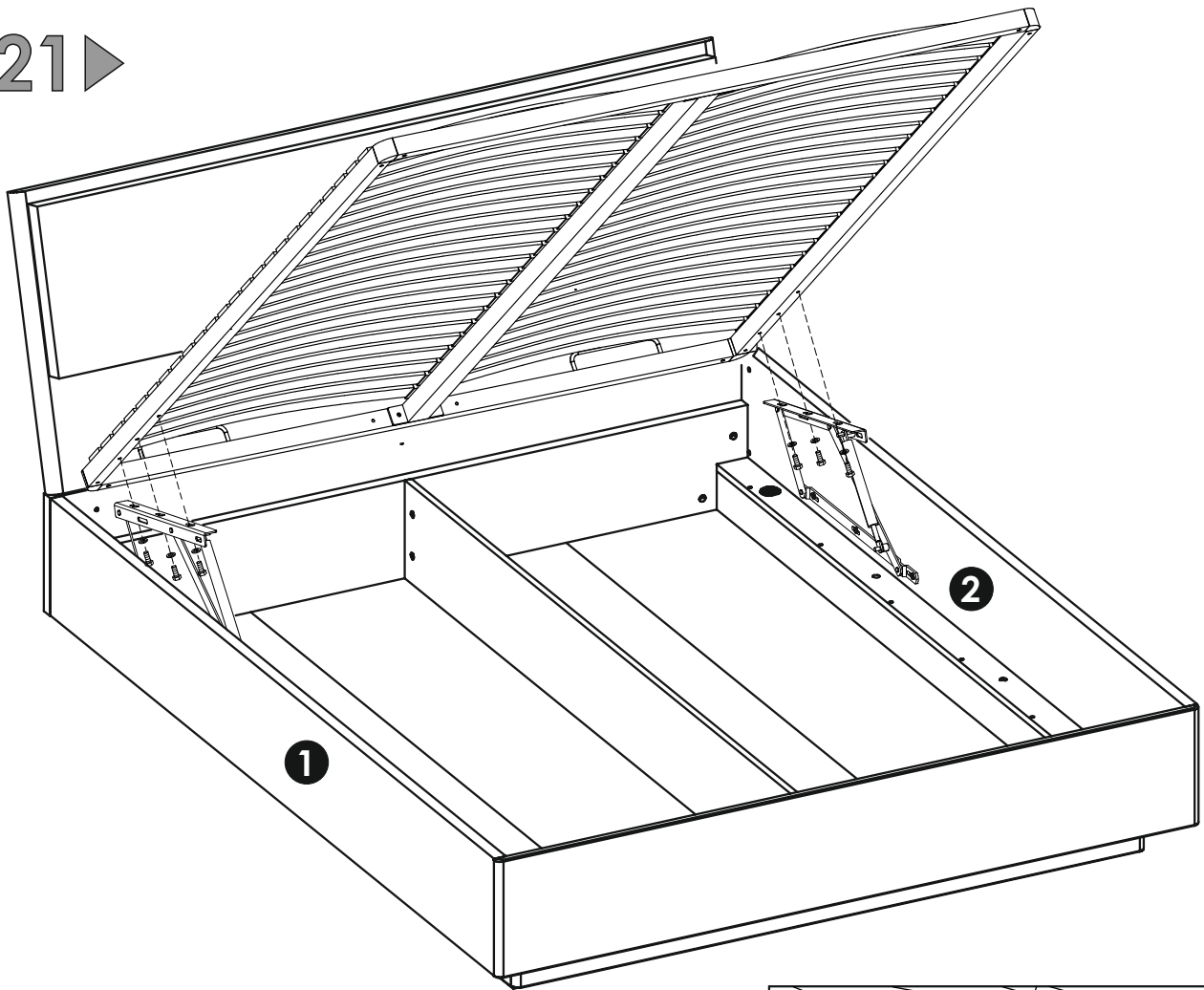
19 ▶



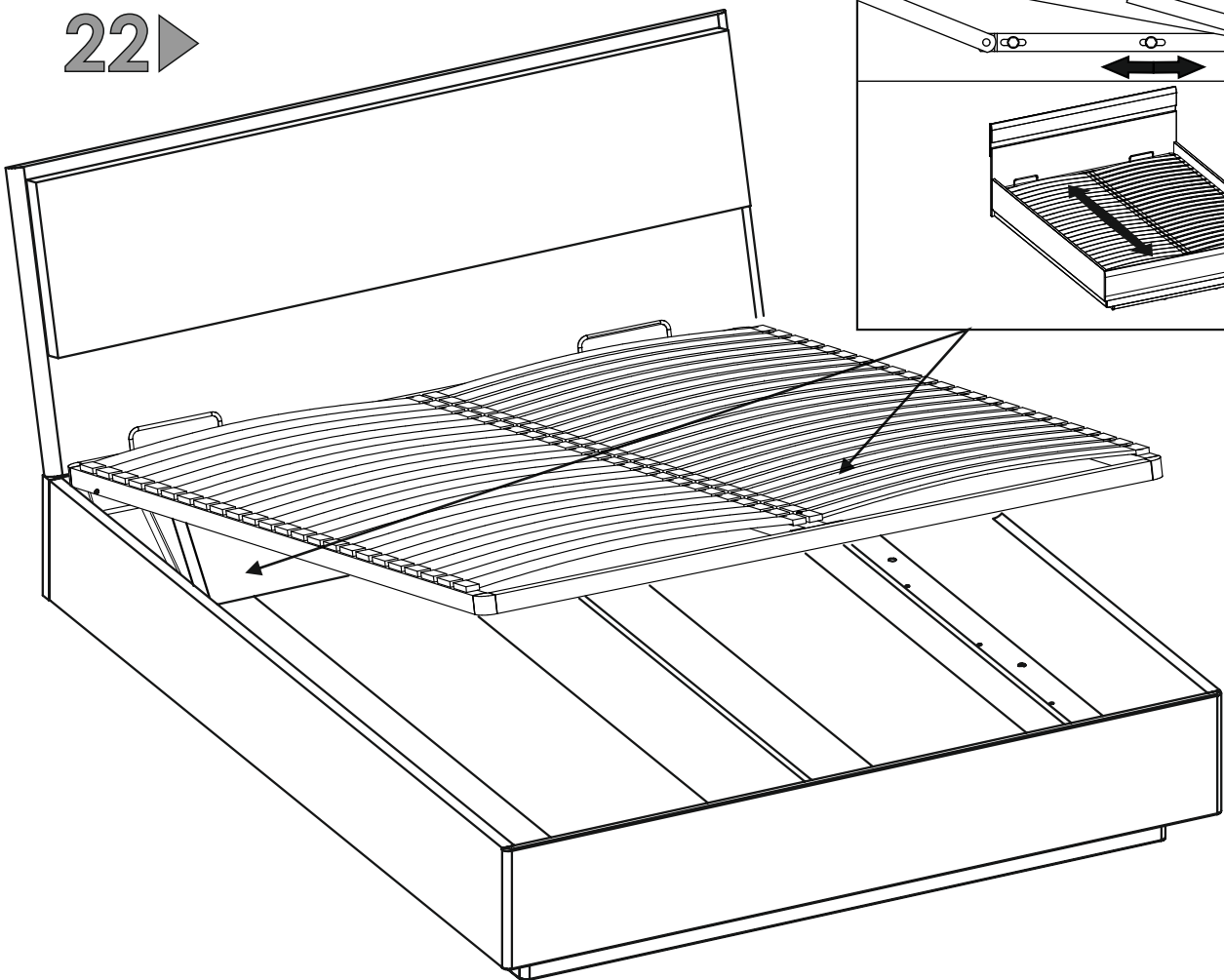
20 ▶



21 ▶



22 ▶



23 ▶

