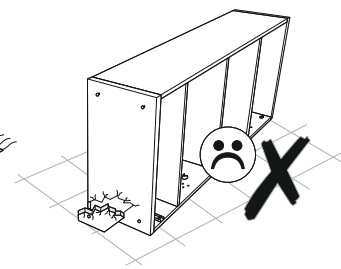
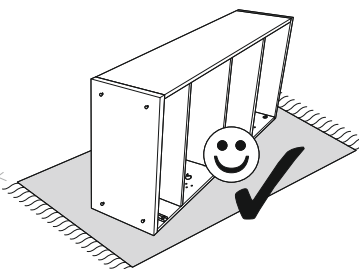
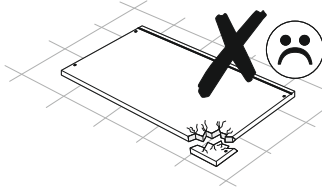
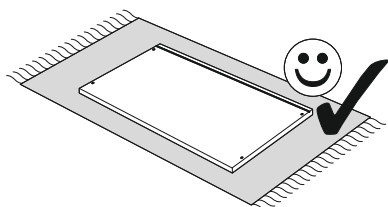
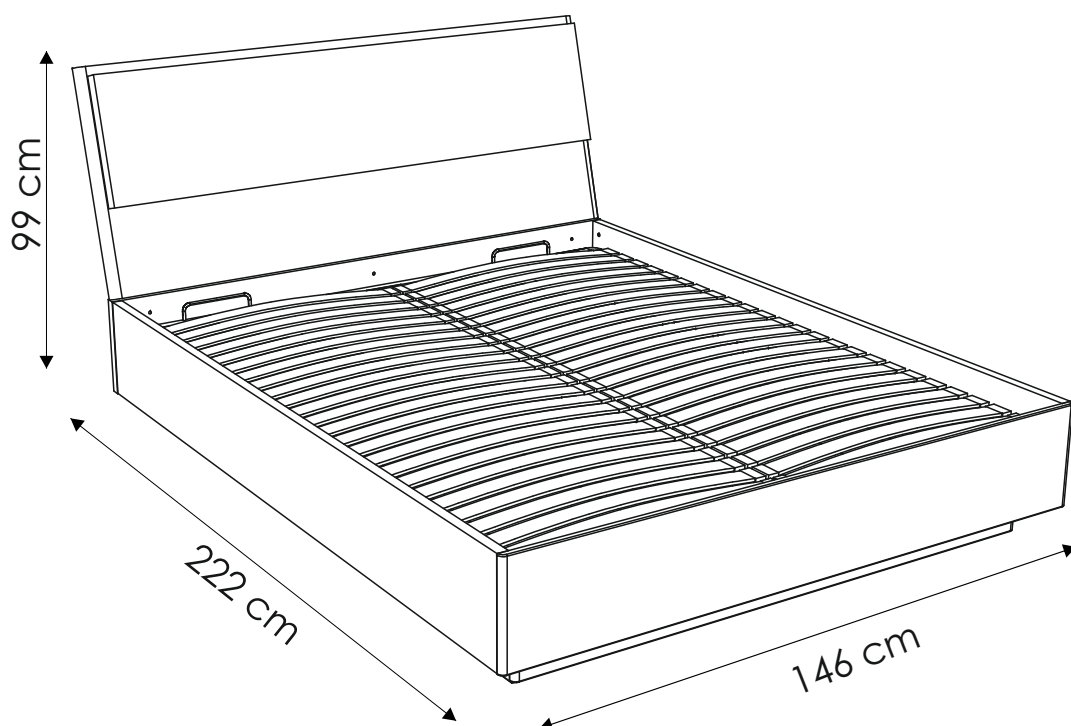
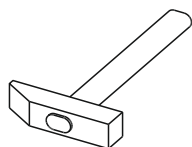
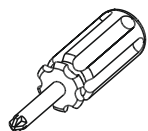
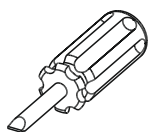
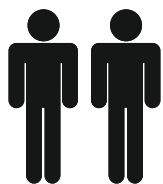
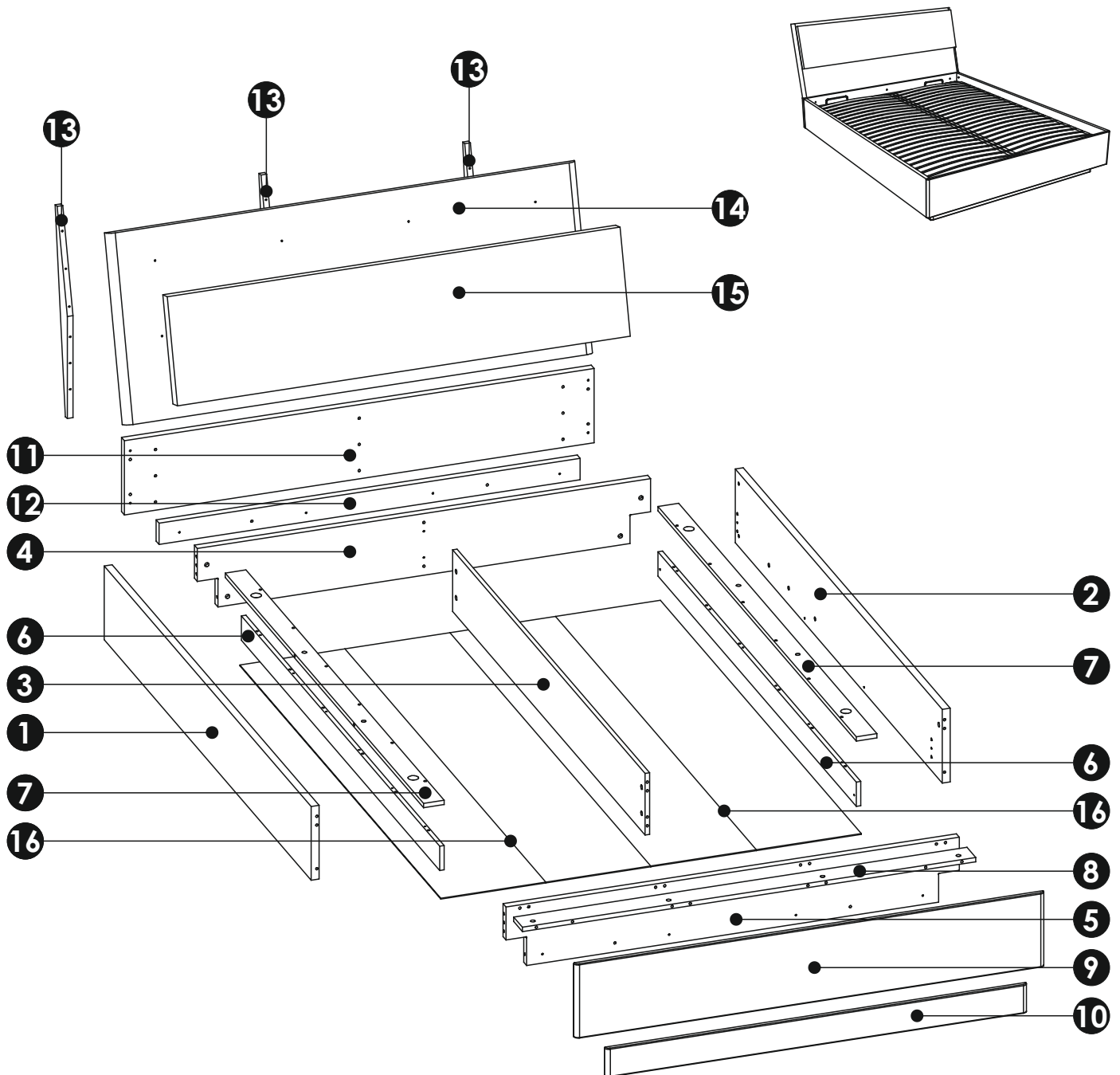


SUMMER TYP 91





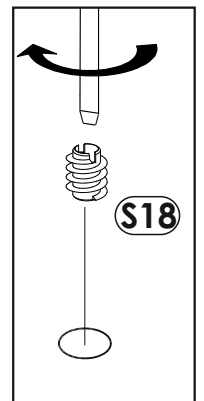
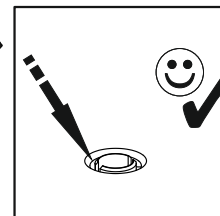
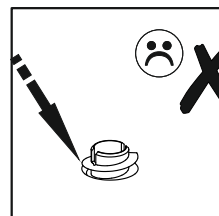
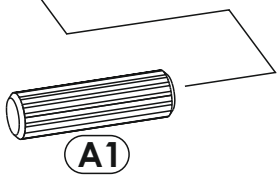
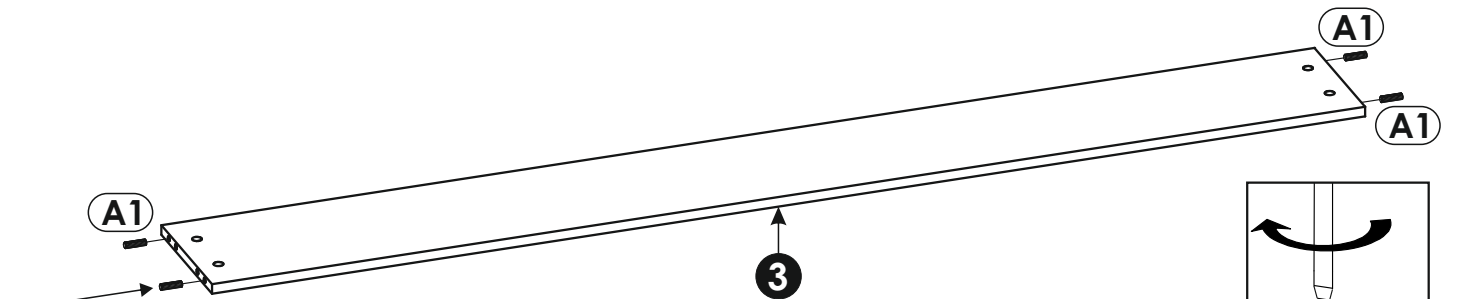
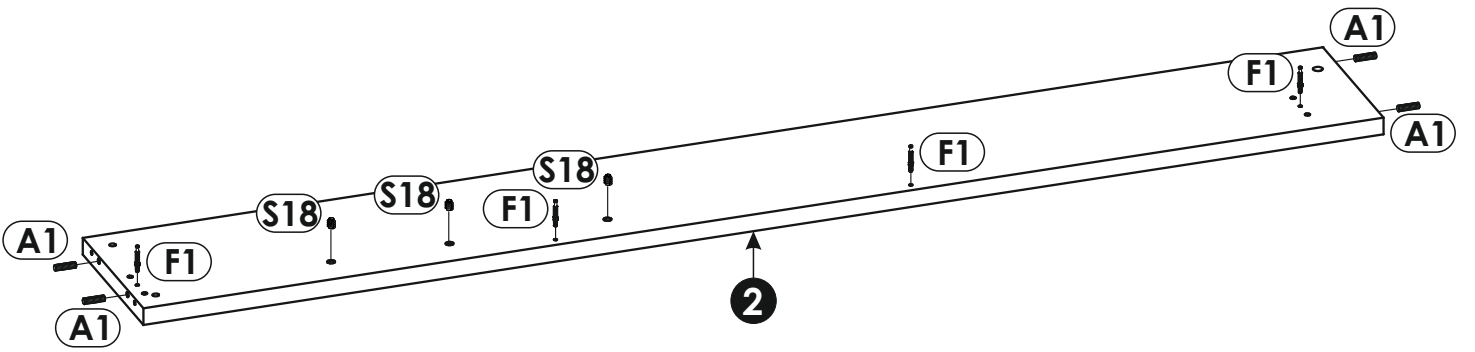
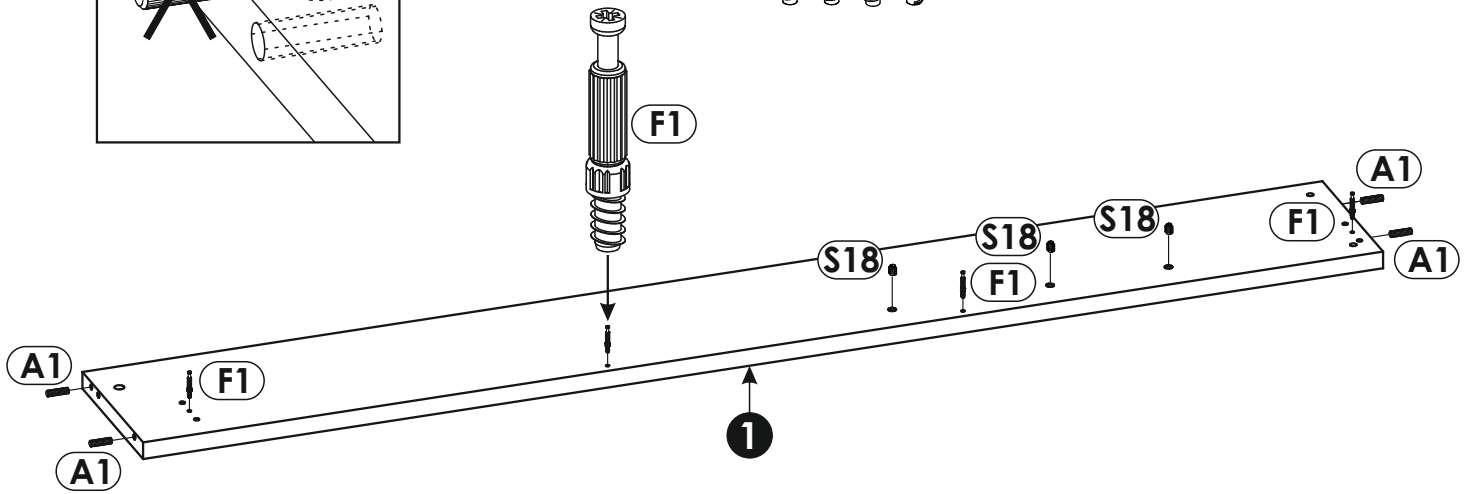
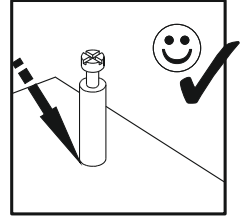
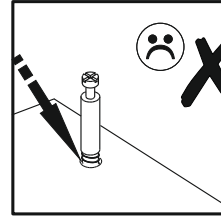
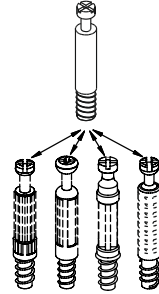
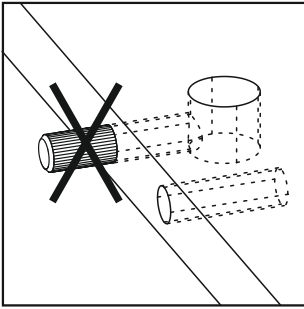
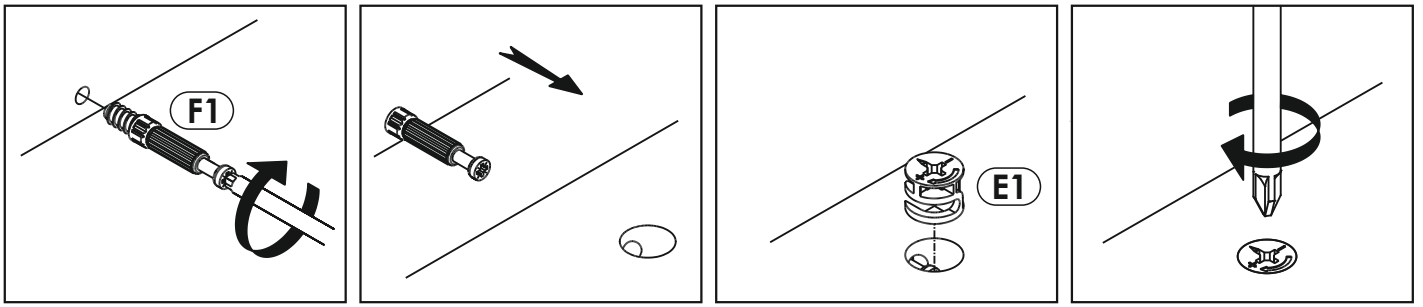
SUMMER TYP 91

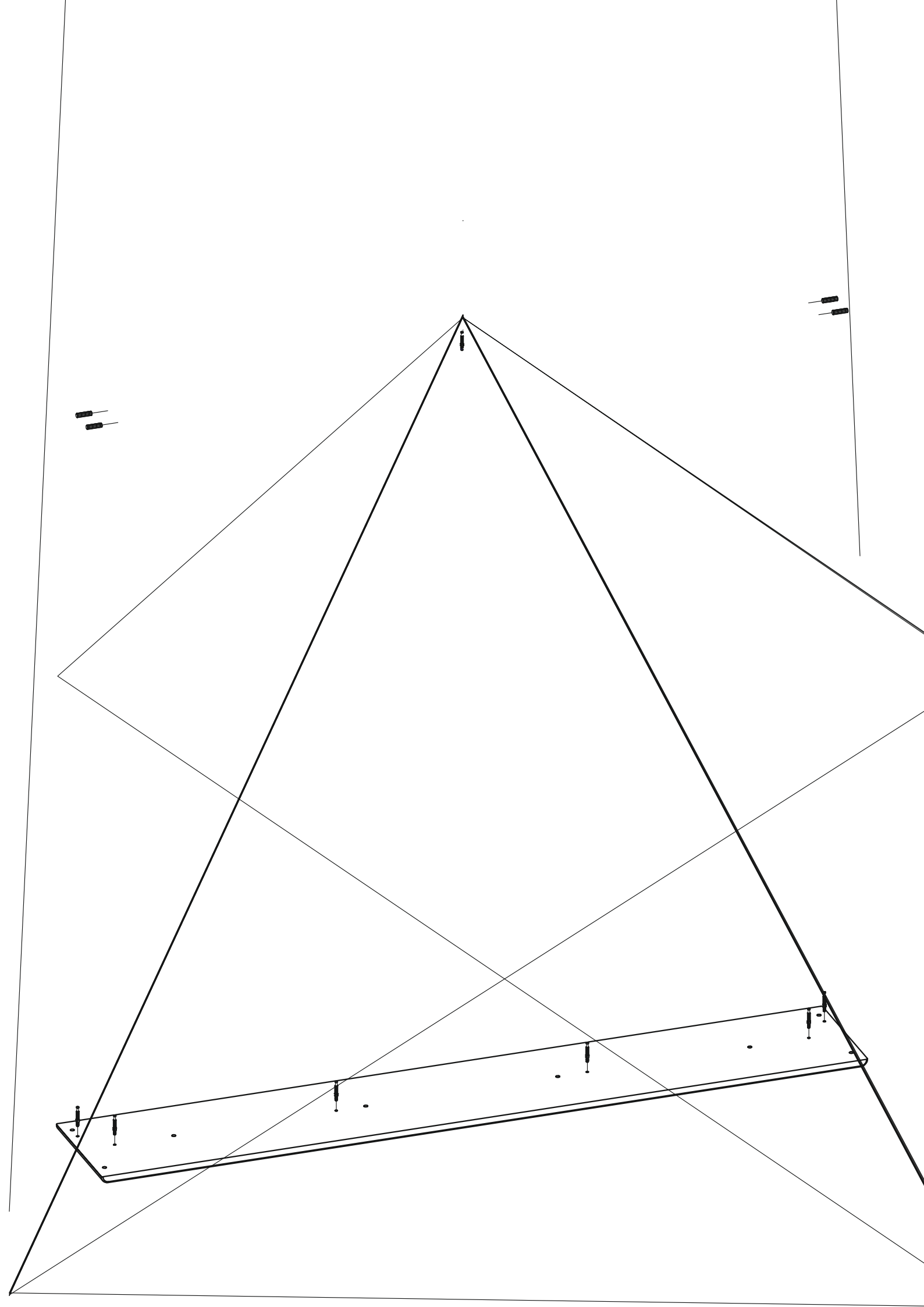


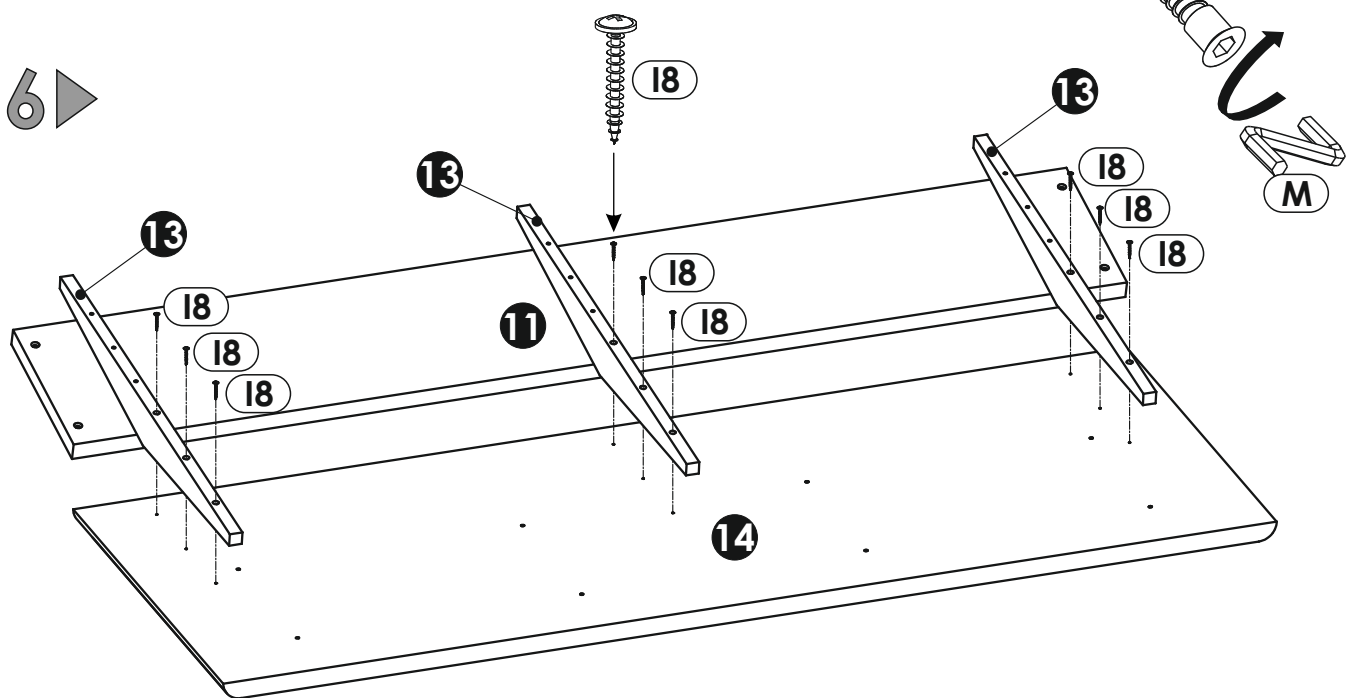
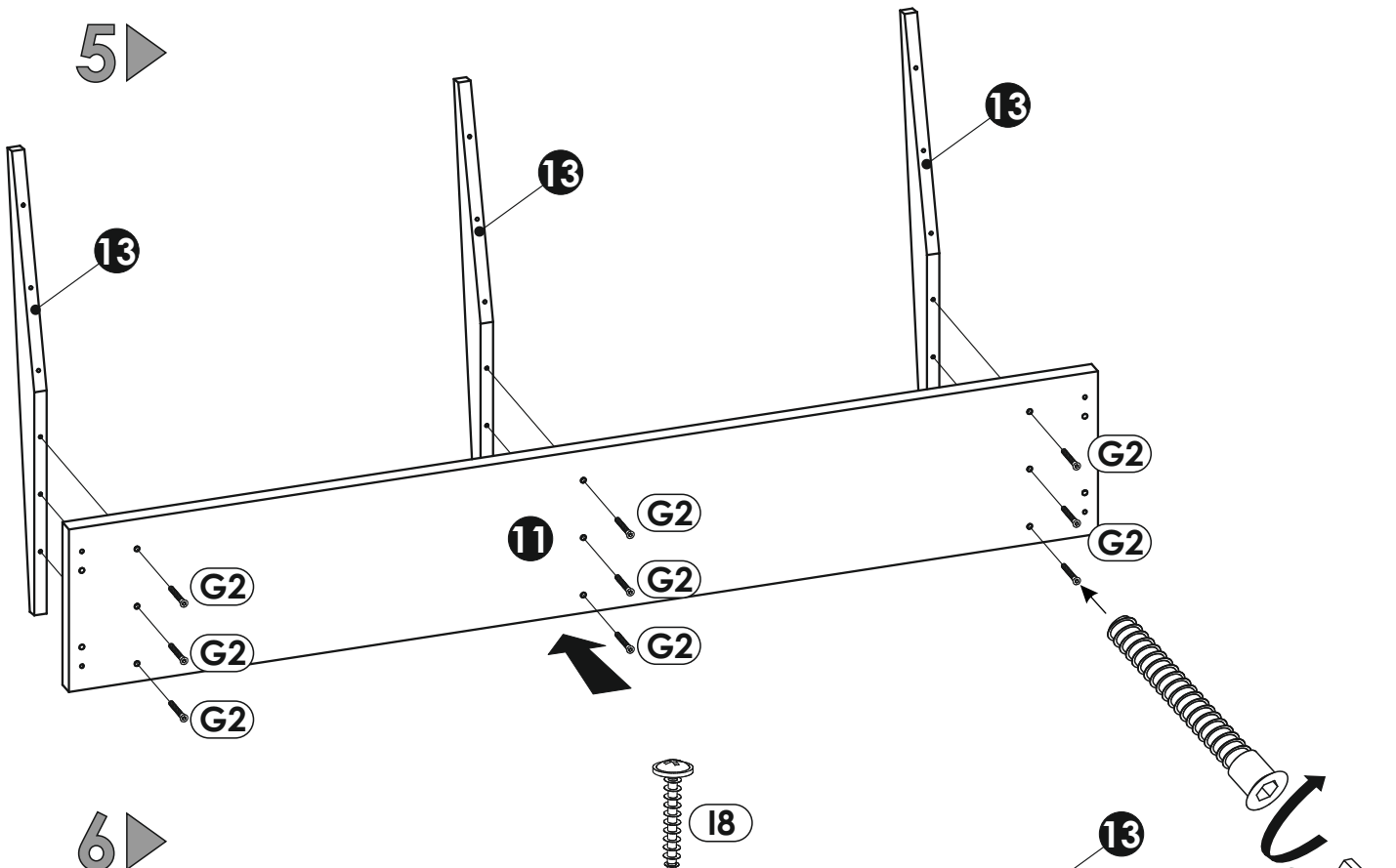
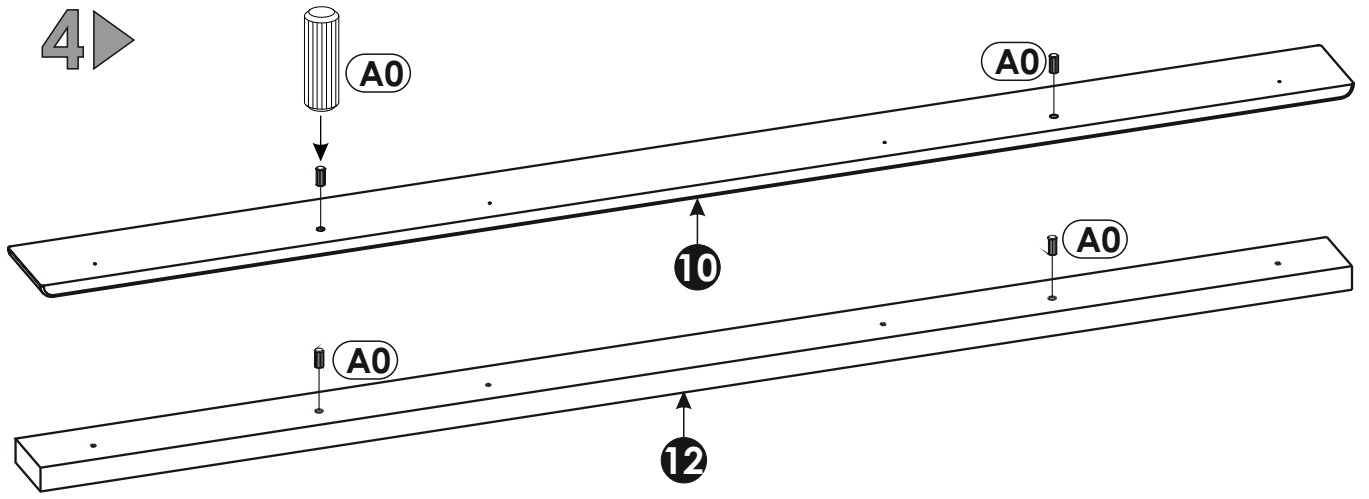
1	2010	270	28	x1	3/6
2	2010	270	28	x1	3/6
3	1869	226	16	x1	1/6
4	1402	226	28	x1	2/6
5	1402	226	28	x1	2/6
6	1925	89	16	x2	4/6

7	1925	73	16	x2	4/6
8	1402	85	16	x1	1/6
9	1460	272	16	x1	1/6
10	1290	105	16	x1	1/6
11	1460	272	28	x1	1/6
12	1288	78	28	x1	3/6

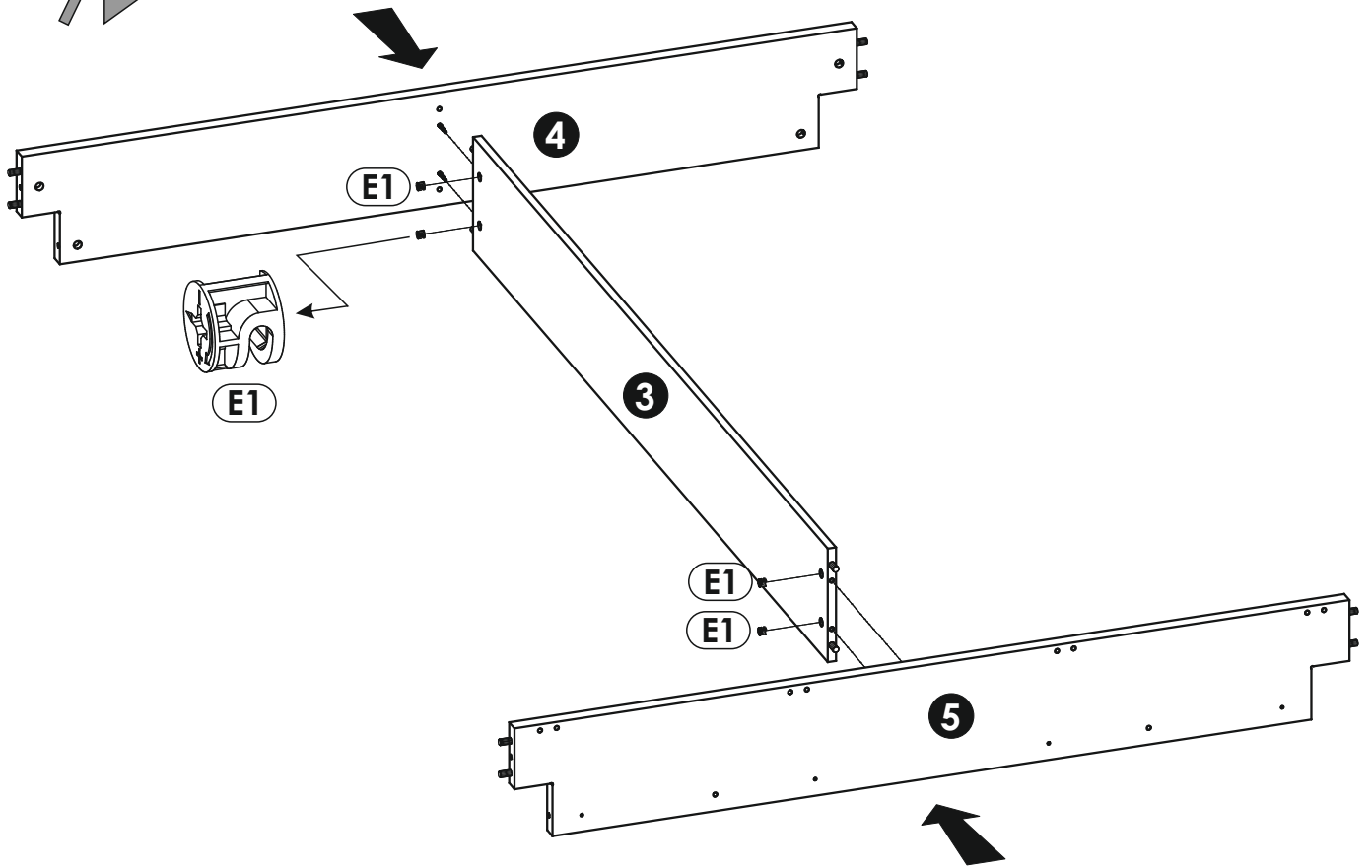
13	740	70	20	x3	4/6
14	1460	650	28	x1	2/6
15	1400	370	45	x1	5/6
16	1950	642	3	x2	4/6



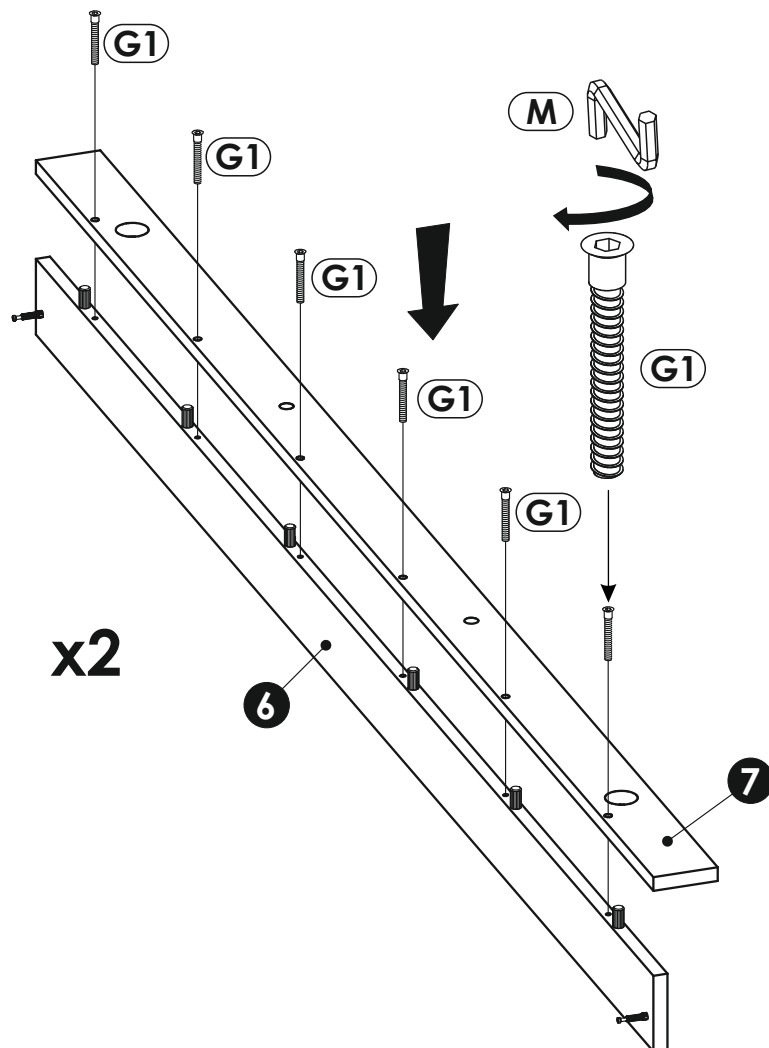




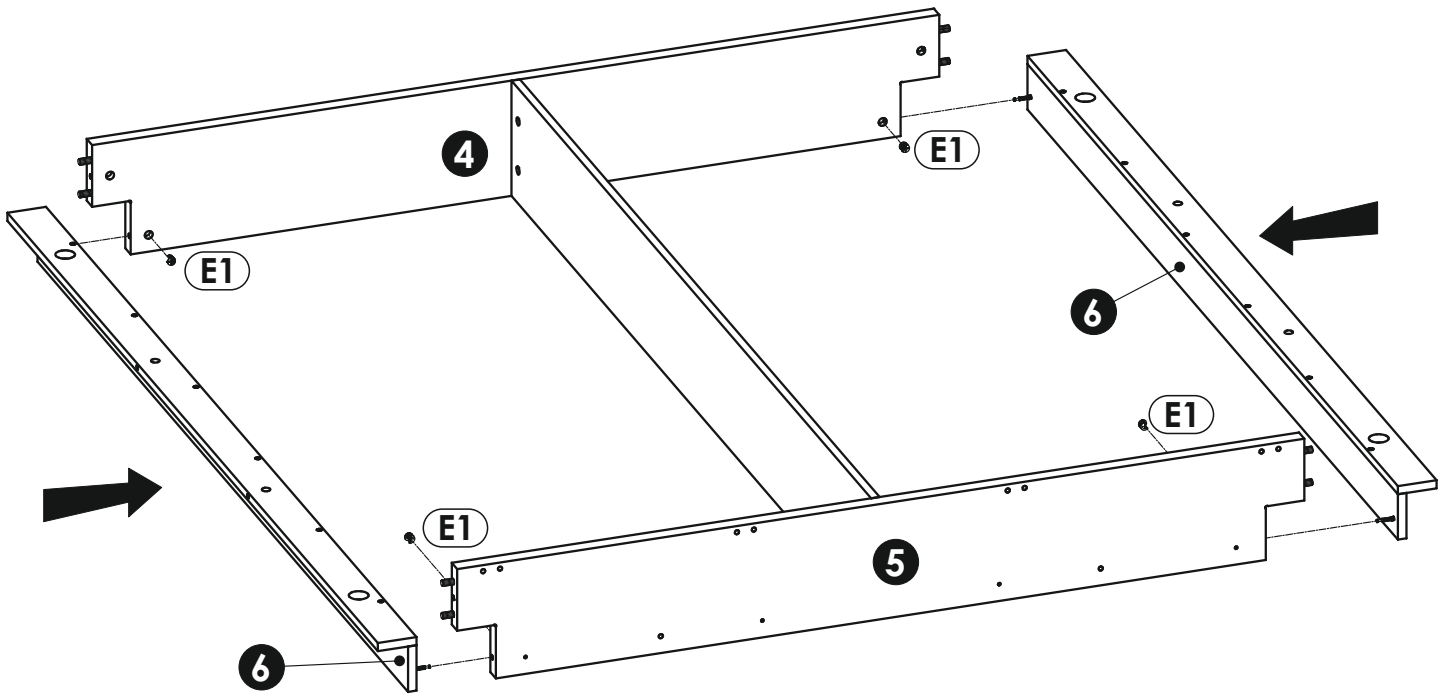
7 ▶



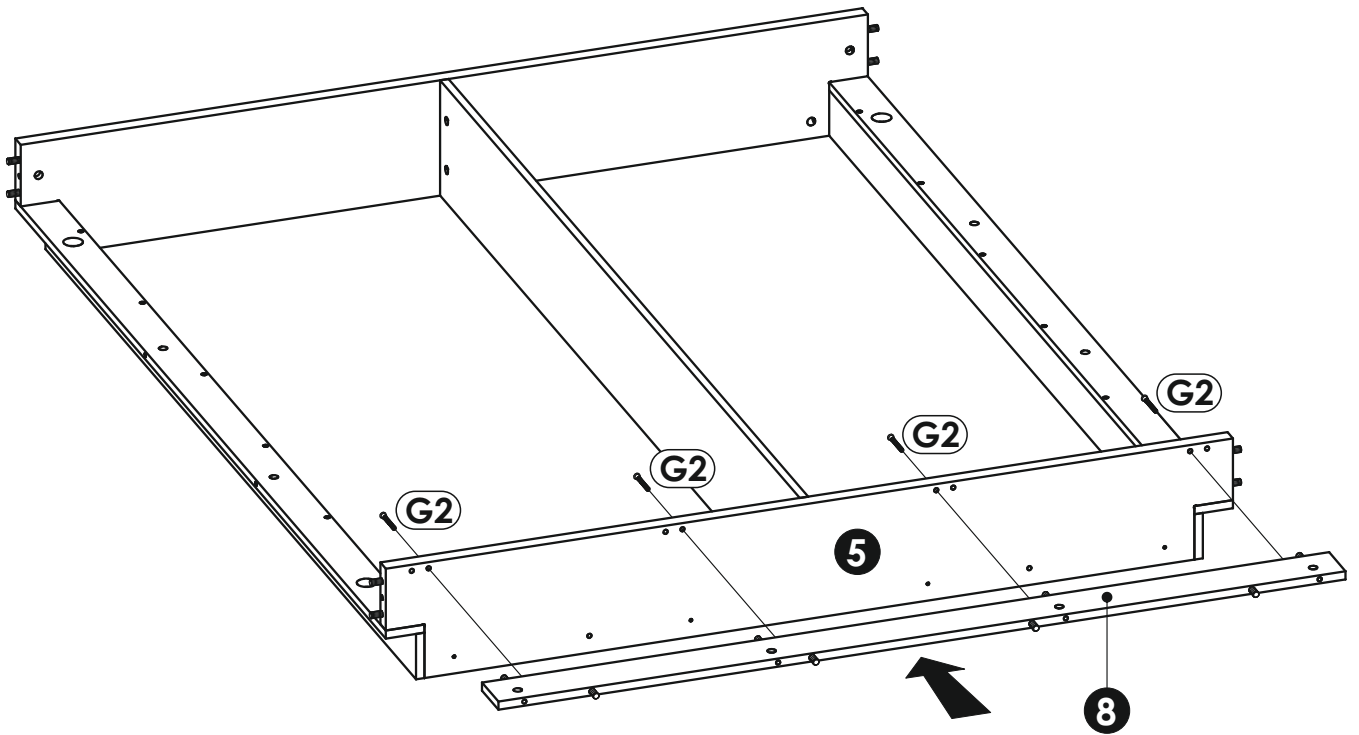
8 ▶



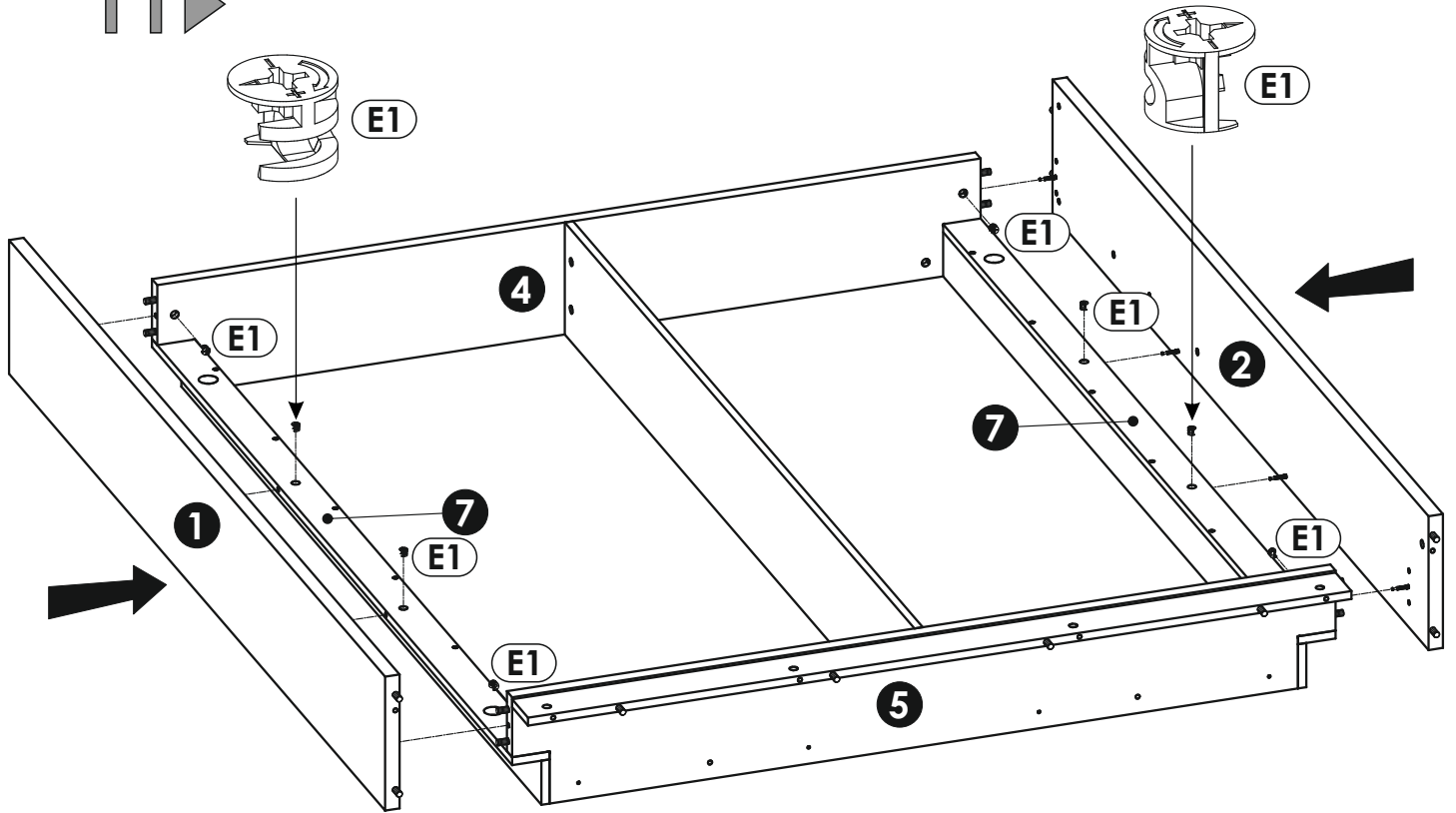
9 ▶



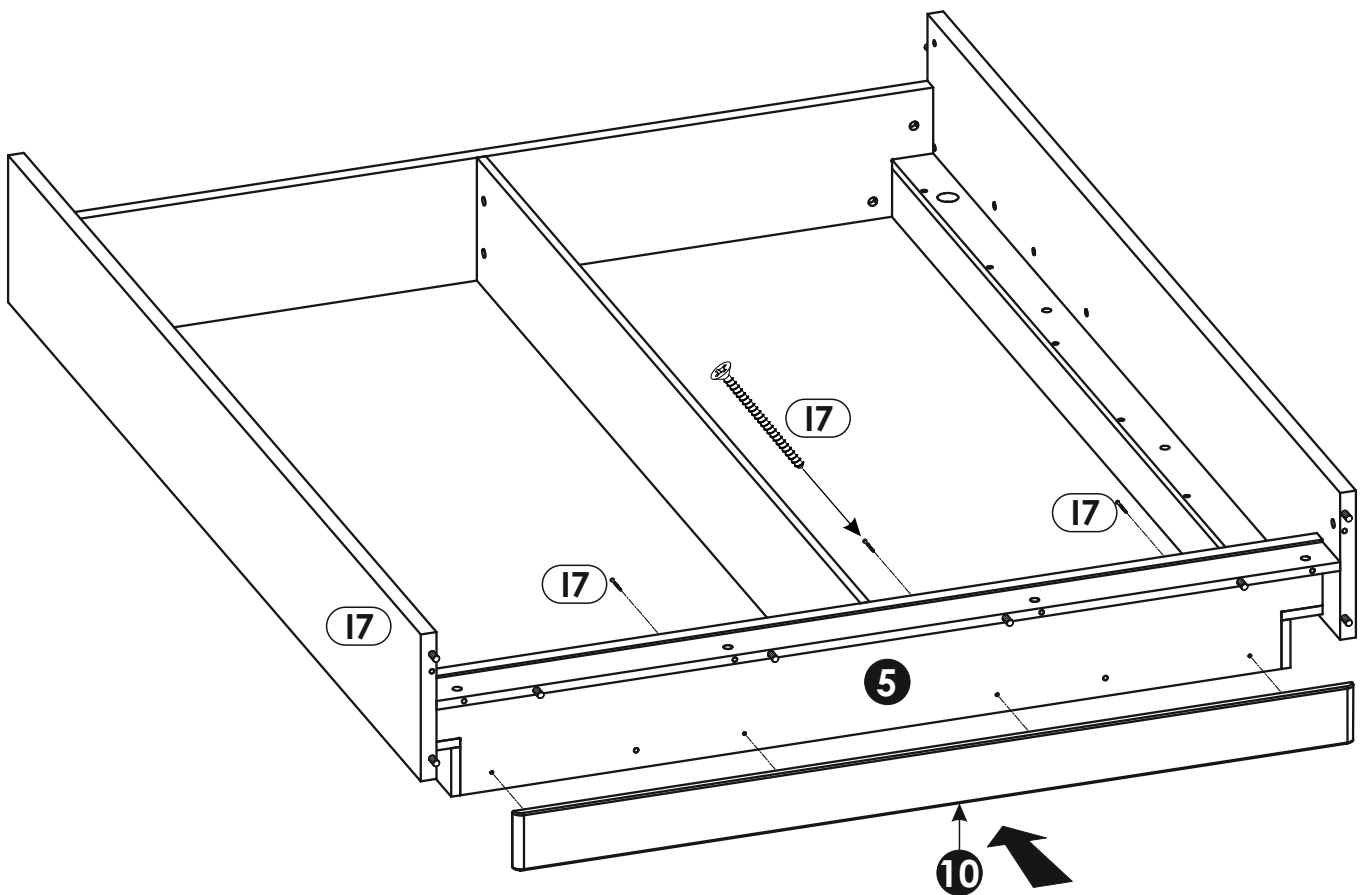
10 ▶



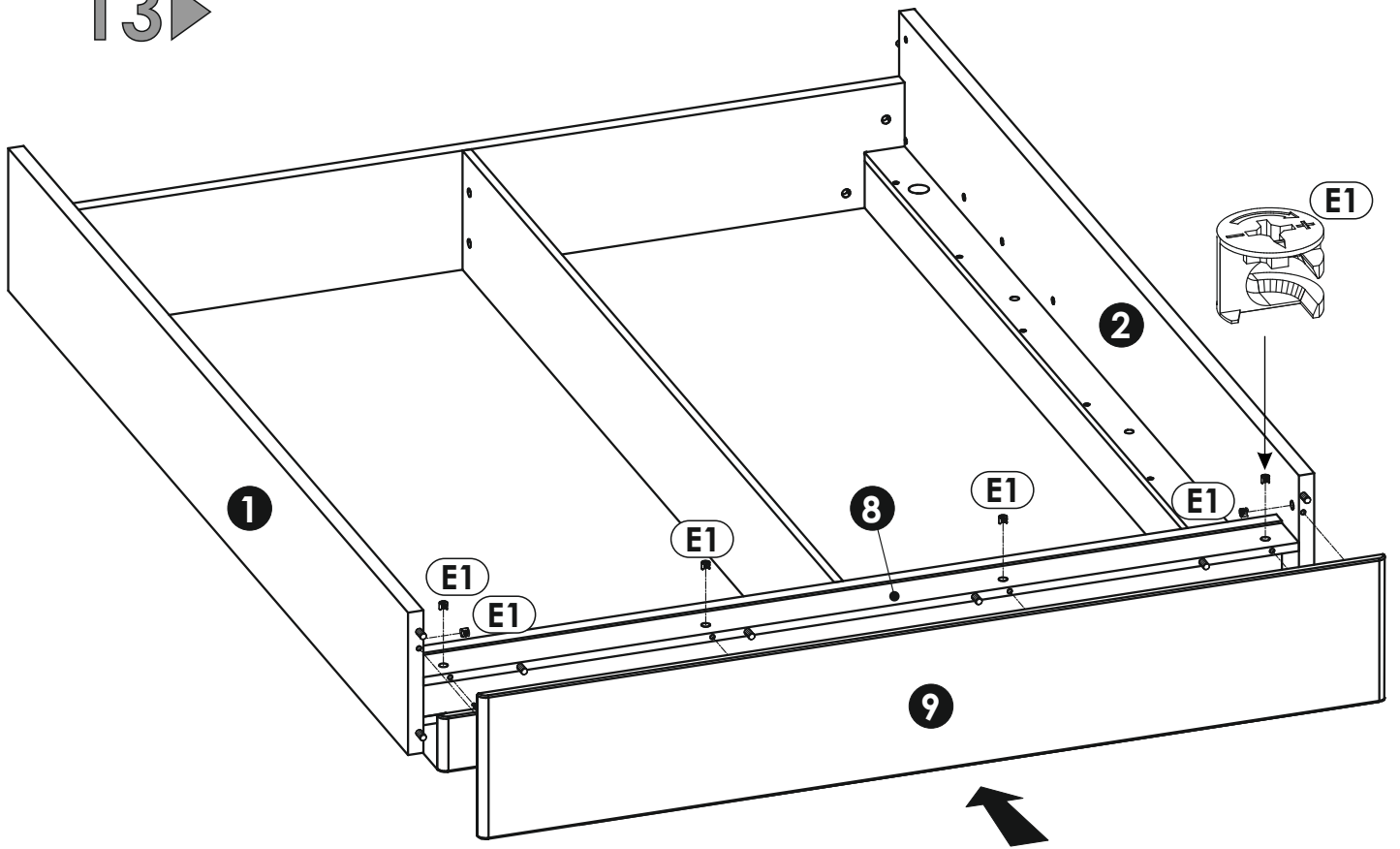
11 ▶



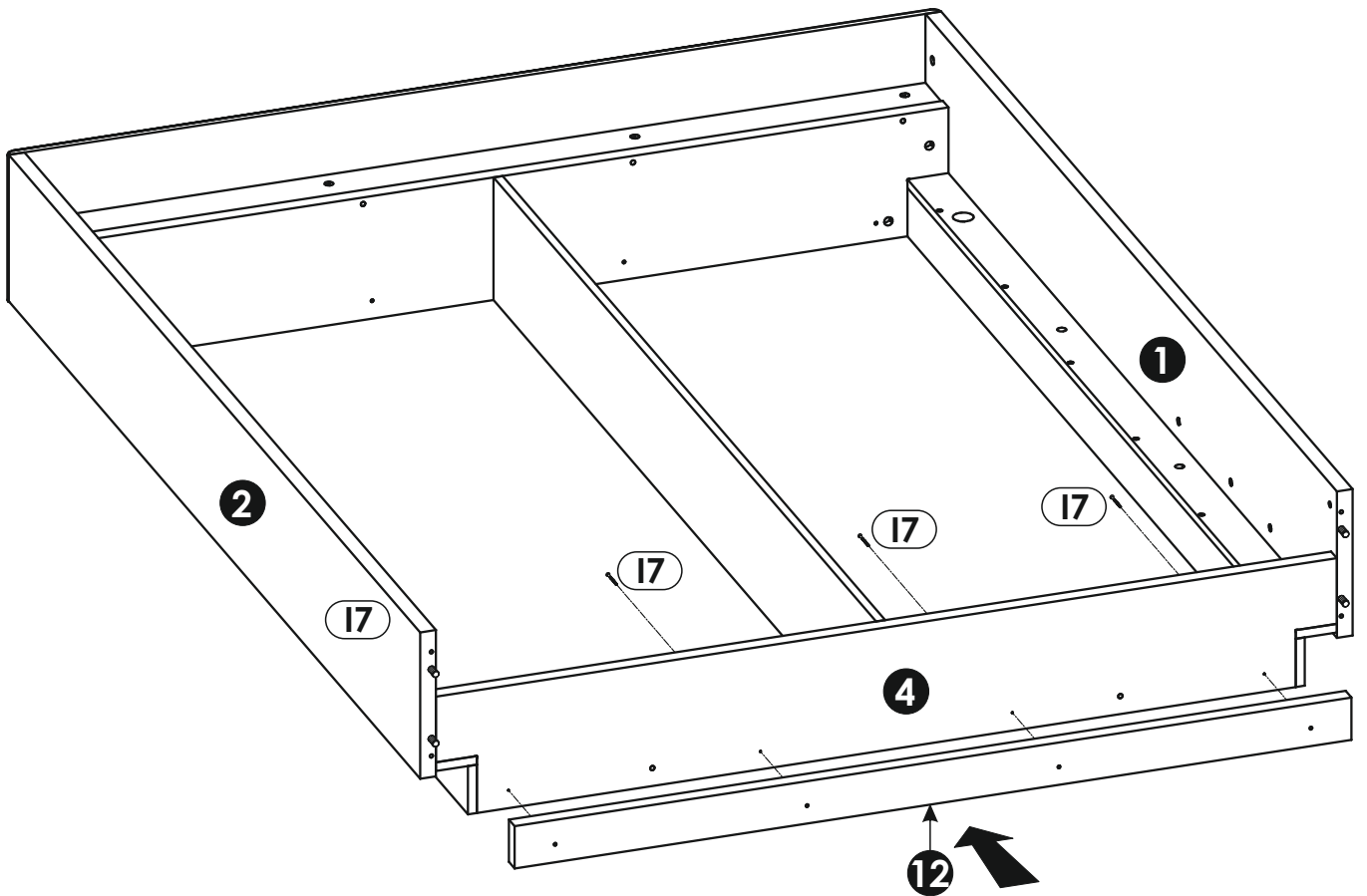
12 ▶



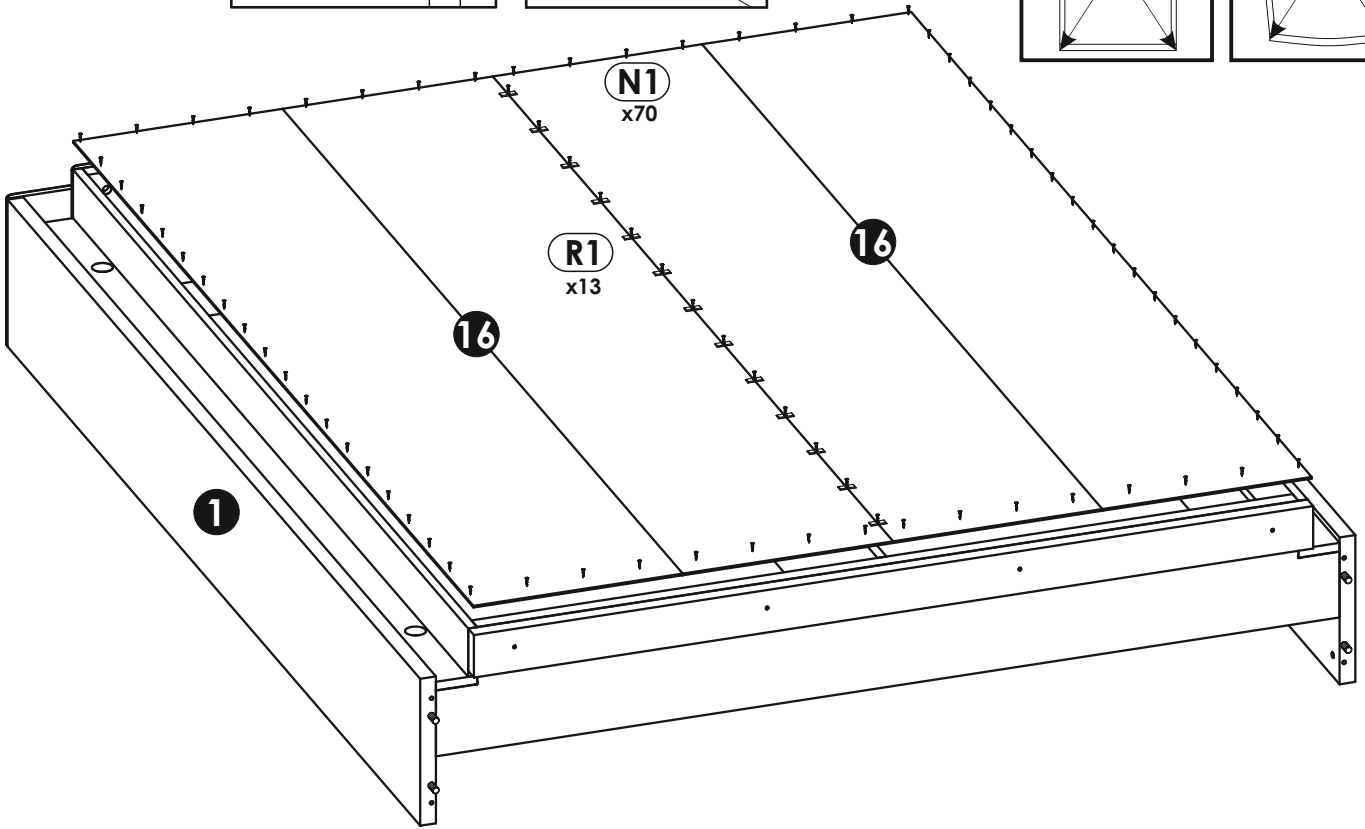
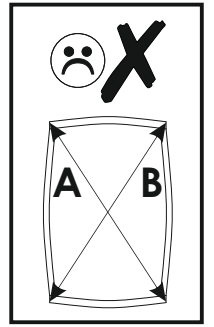
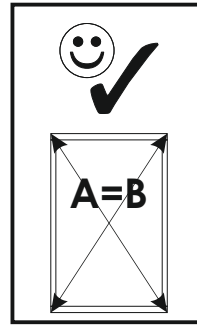
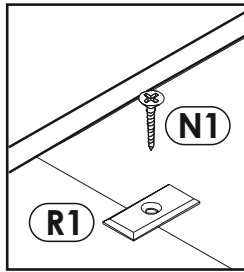
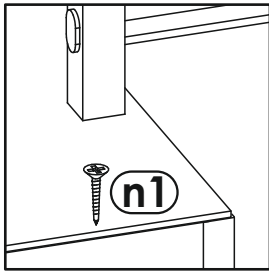
13 ▶



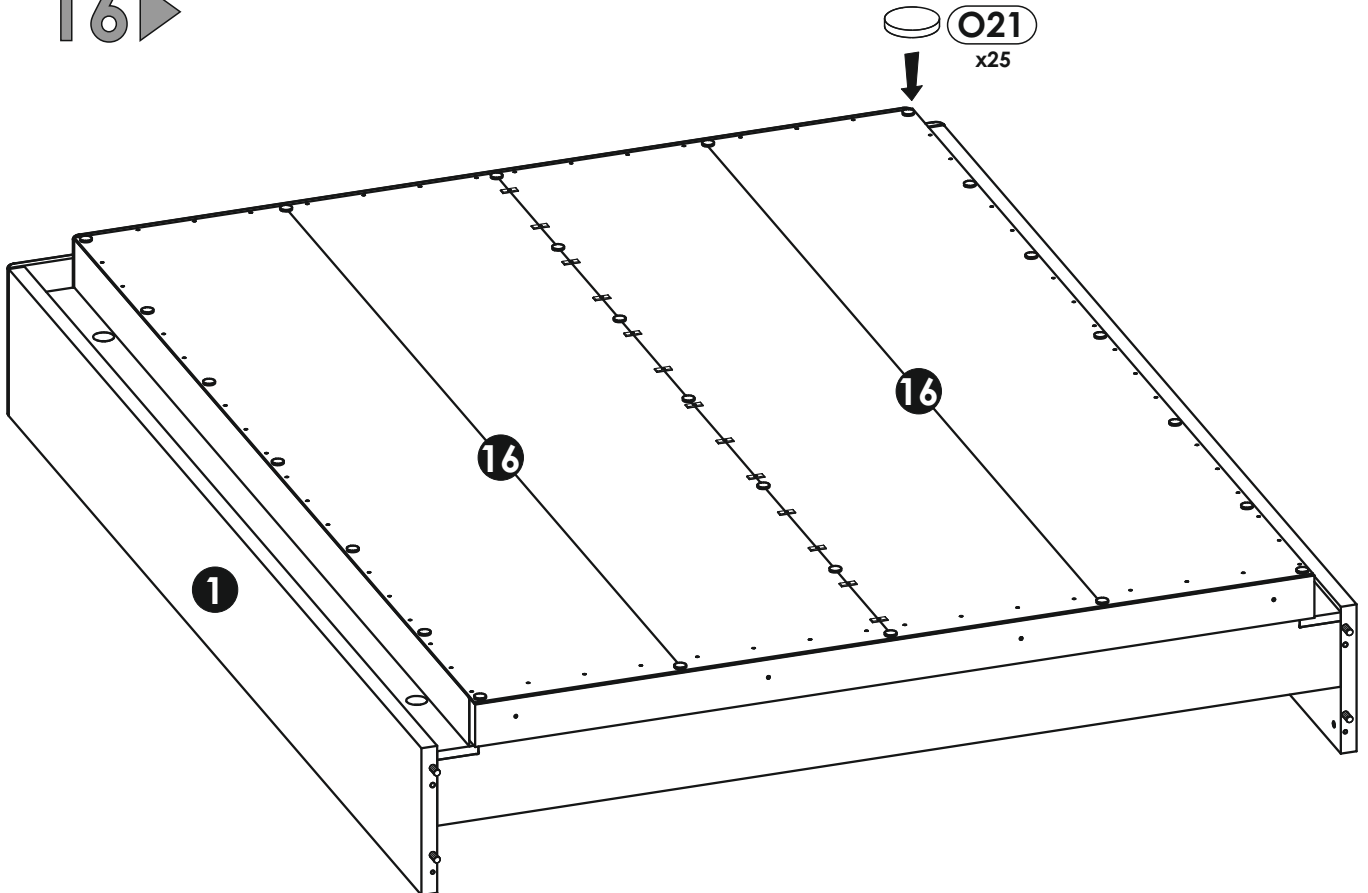
14 ▶



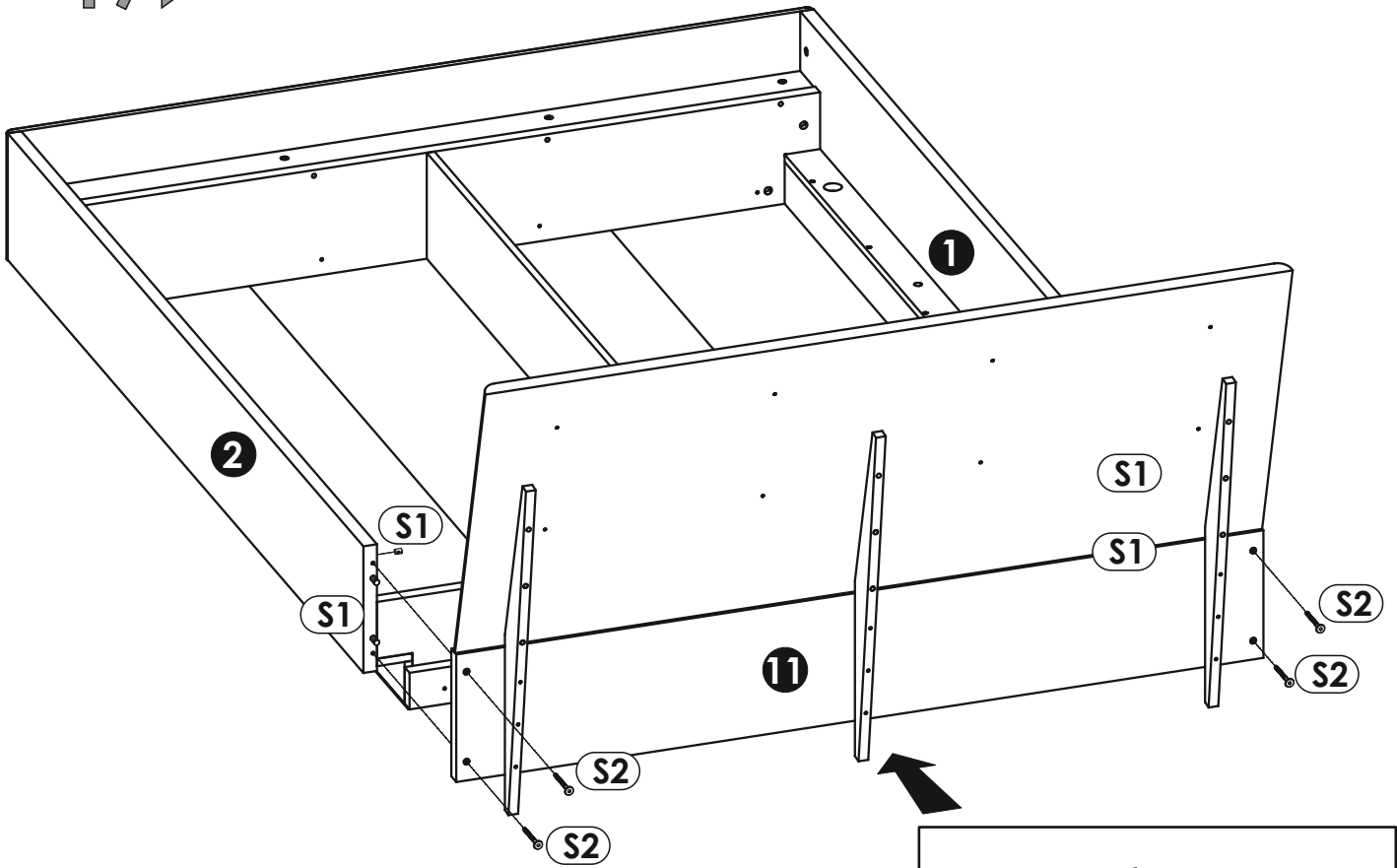
15 ▶



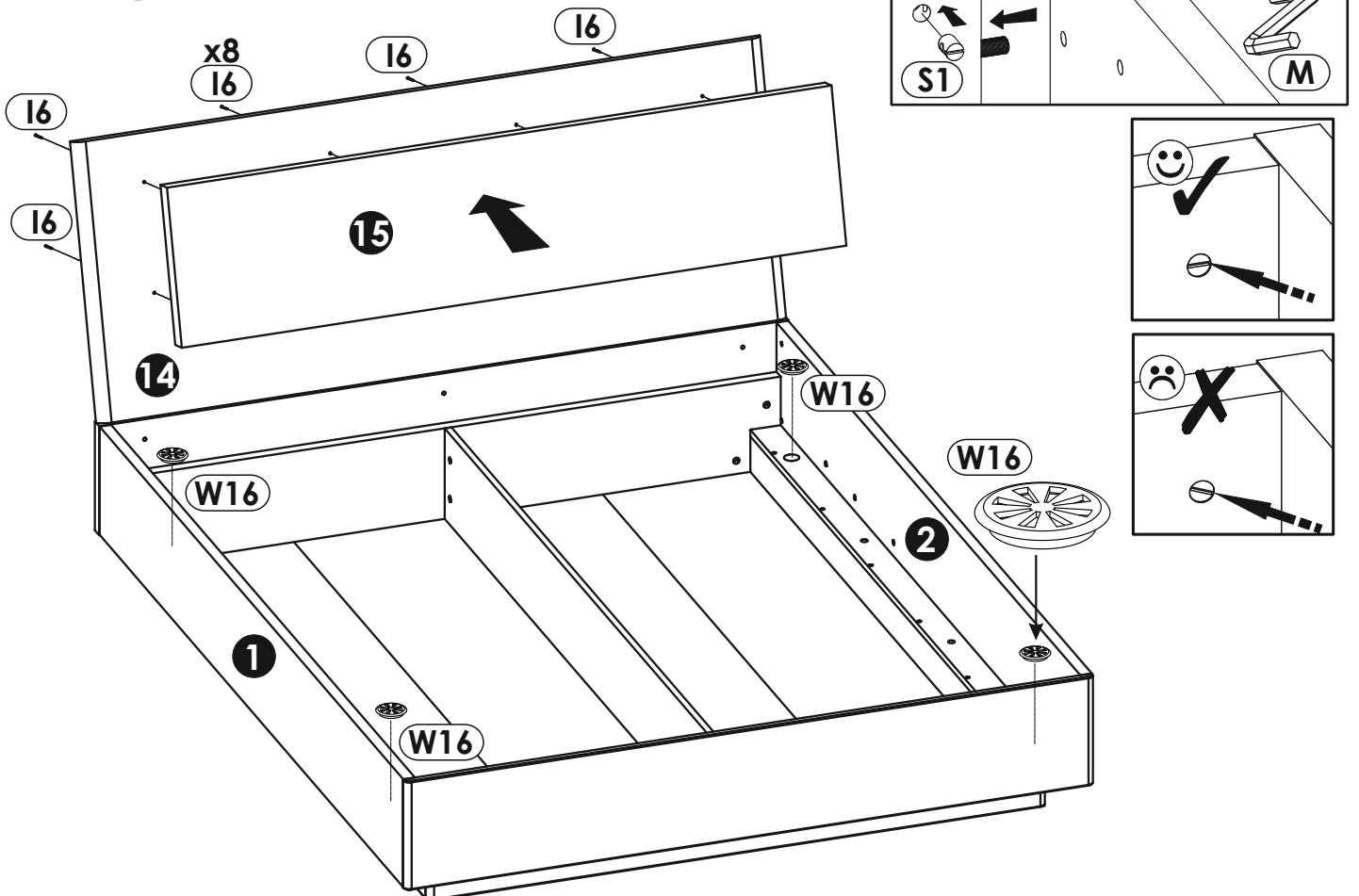
16 ▶



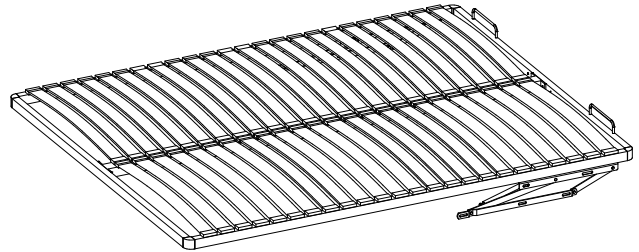
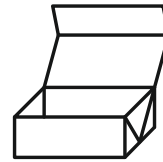
17 ▶



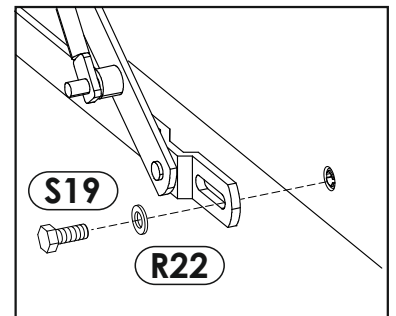
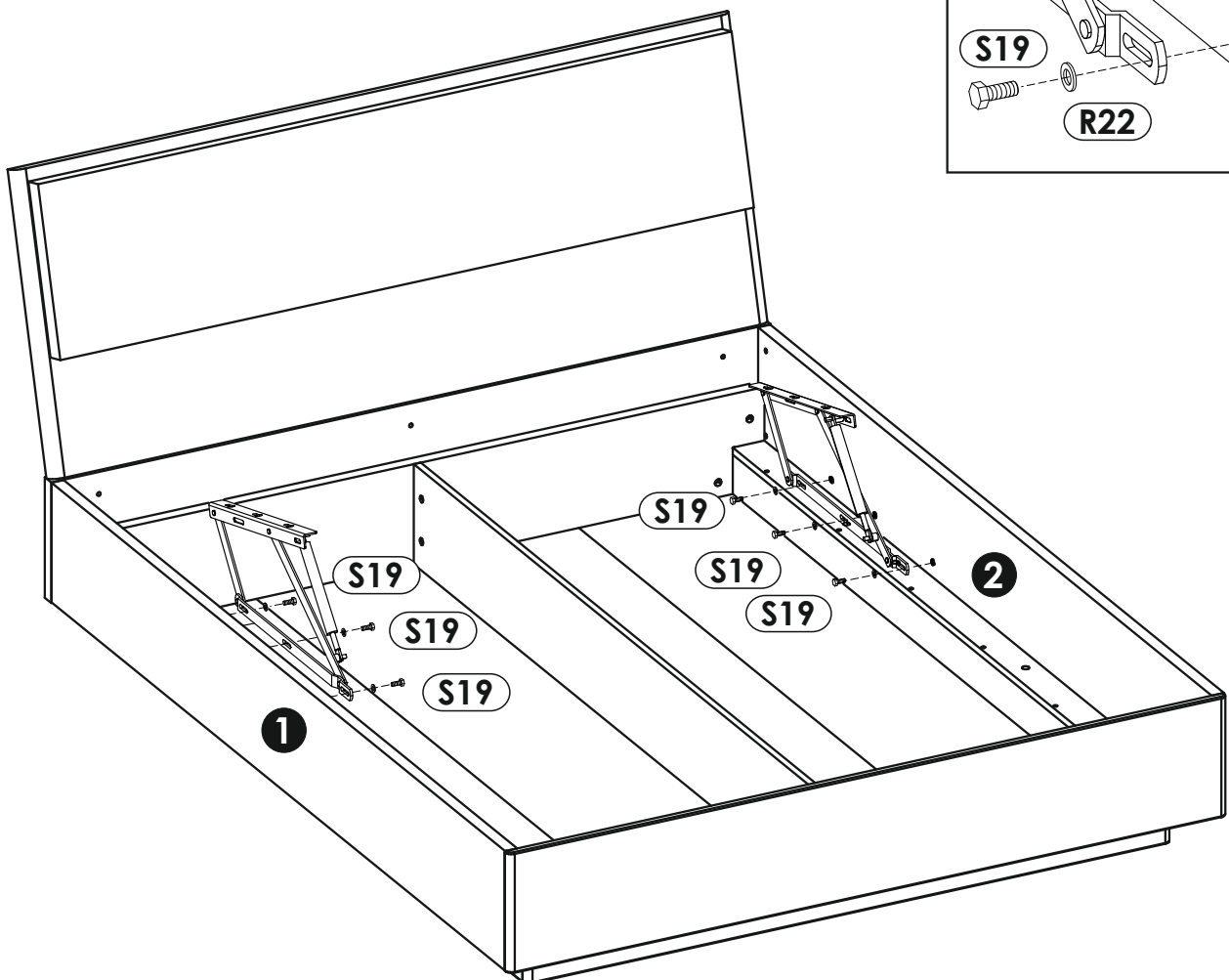
18 ▶



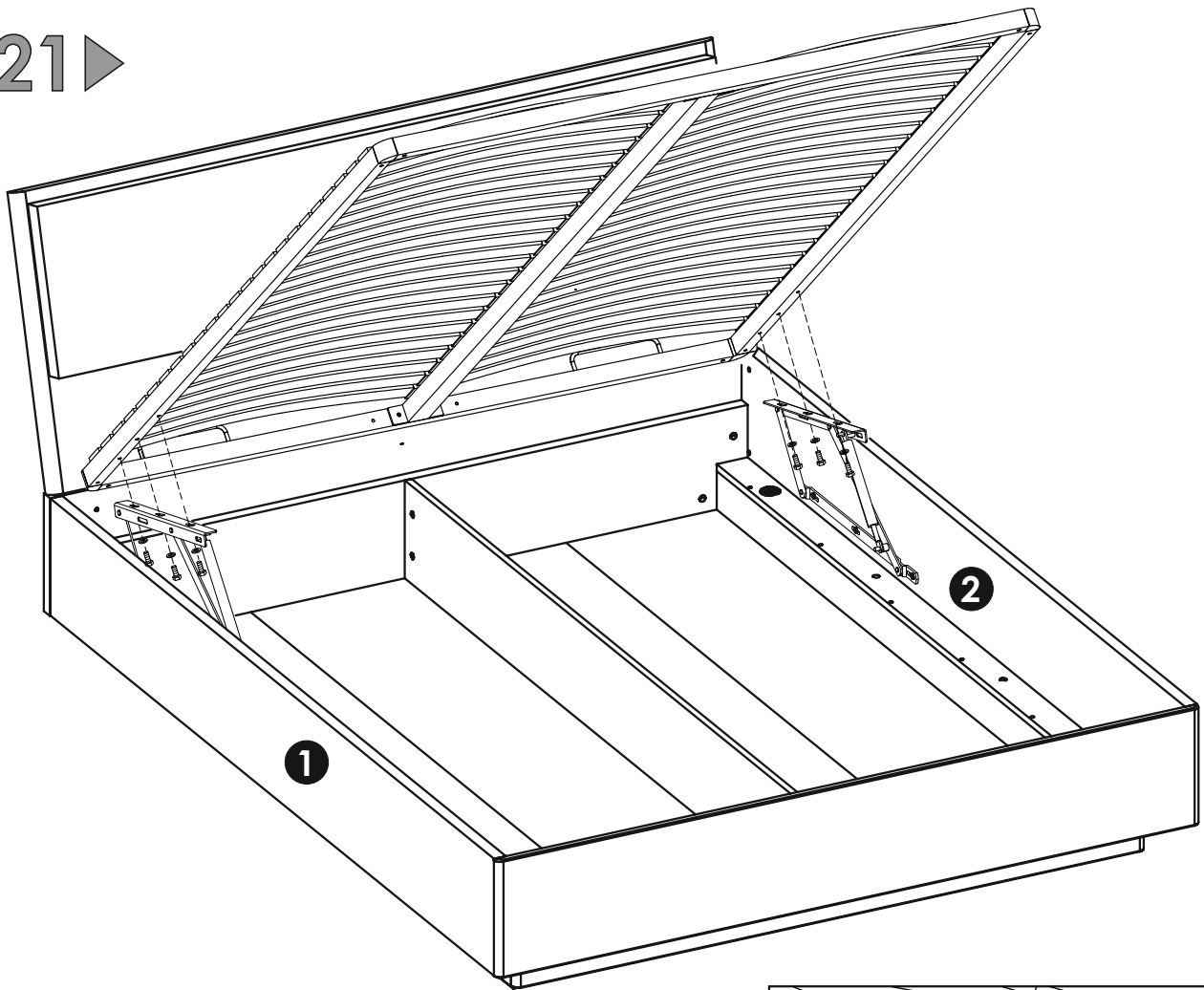
19 ▶



20 ▶



21 ▶



22 ▶

