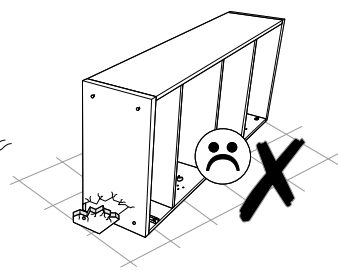
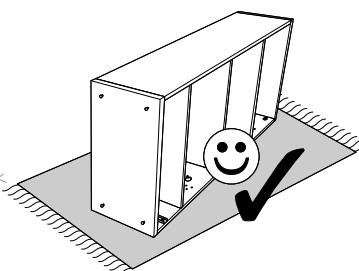
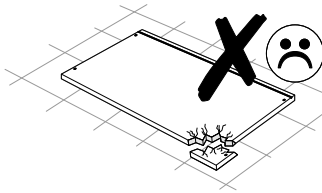
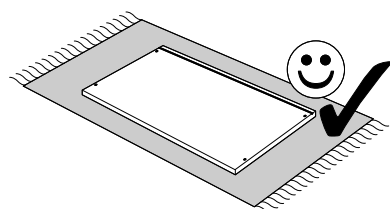
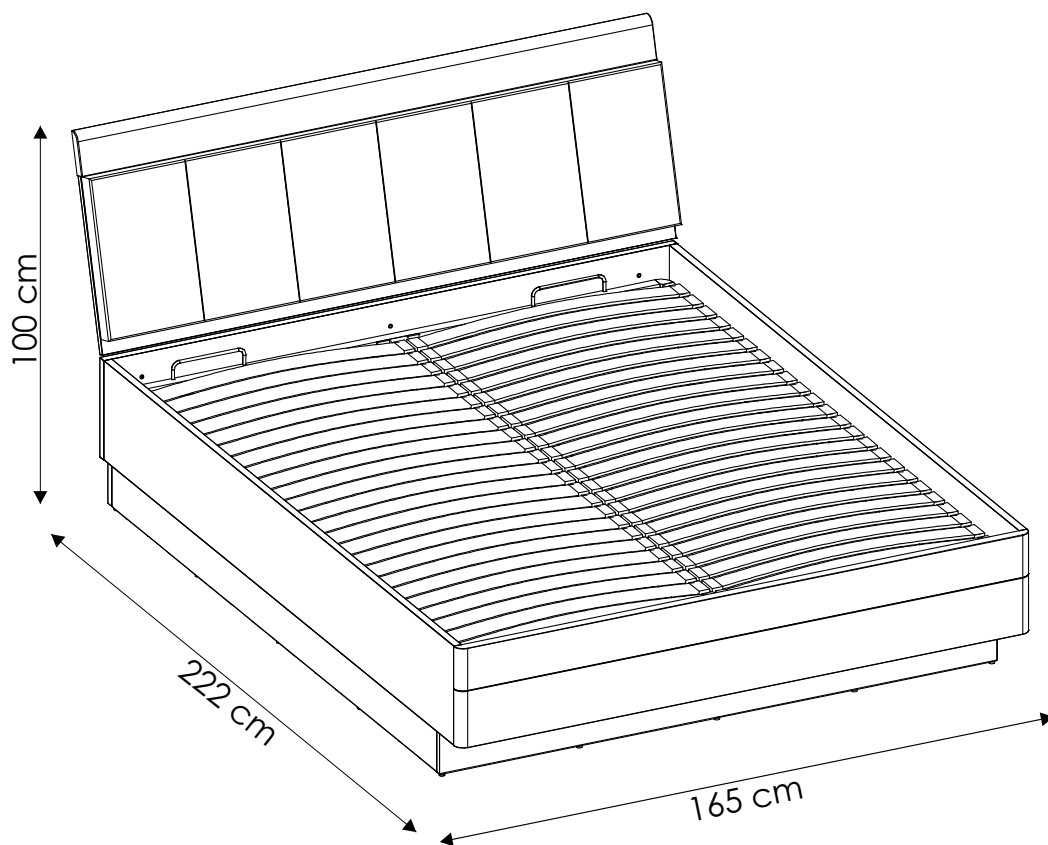
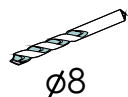
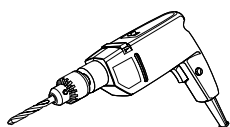
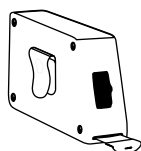
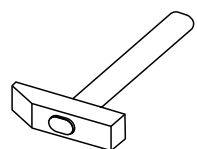
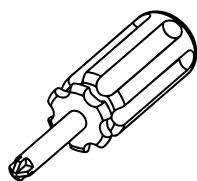
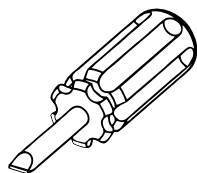
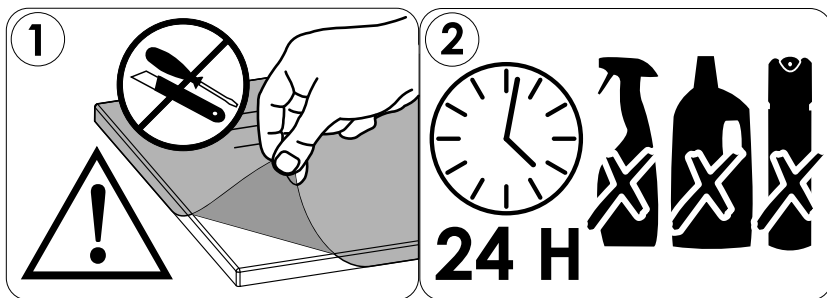
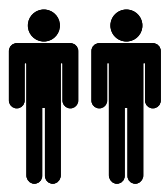
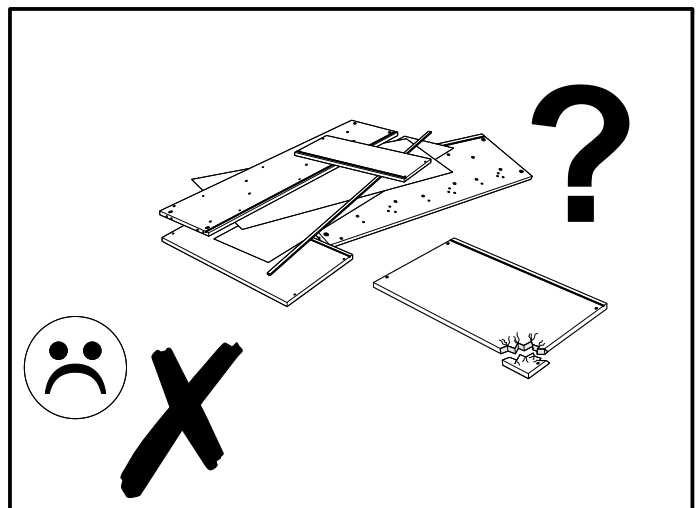
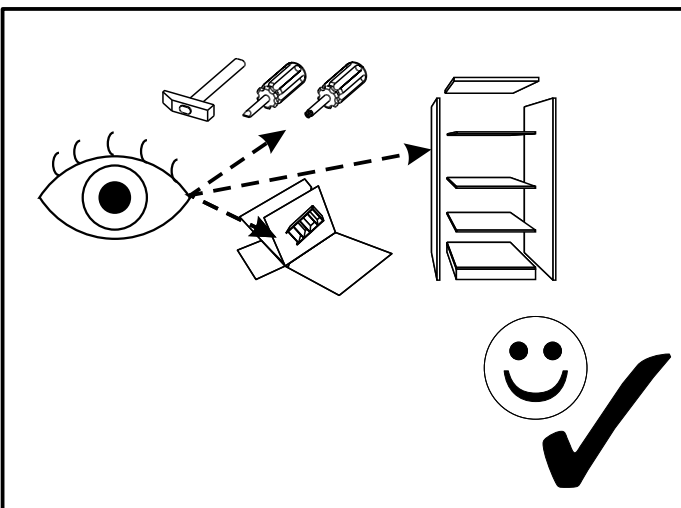
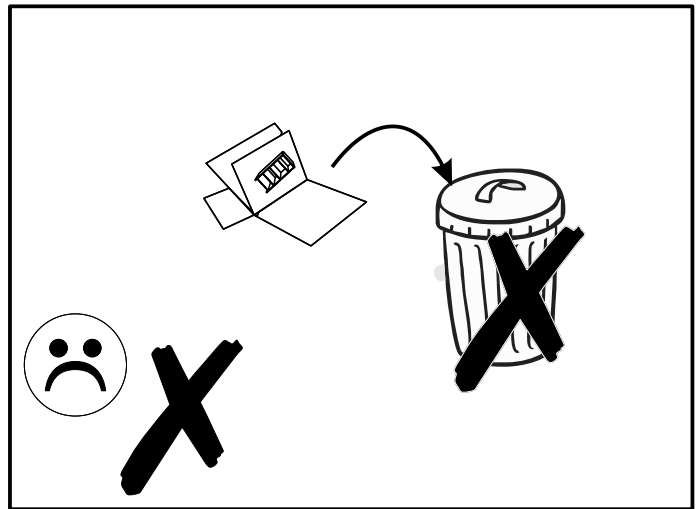
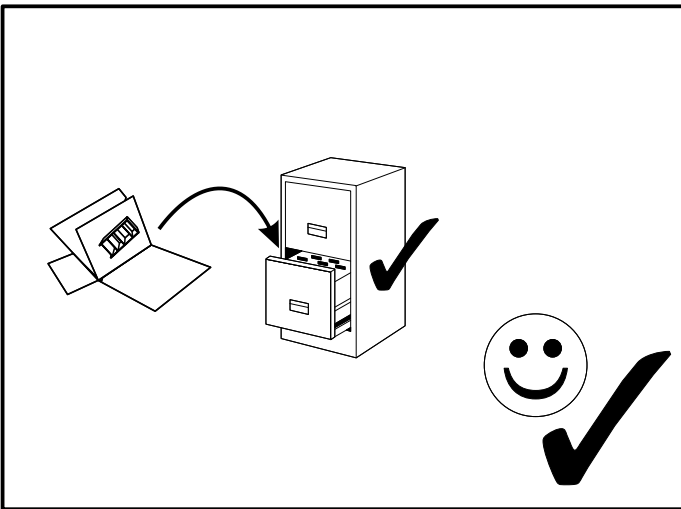
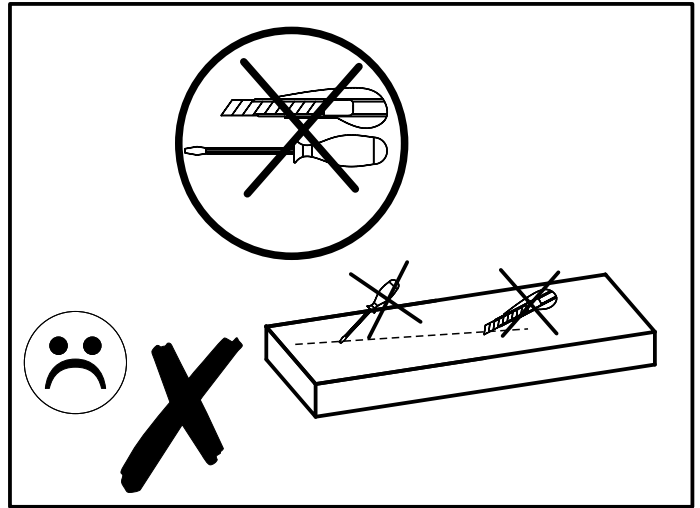
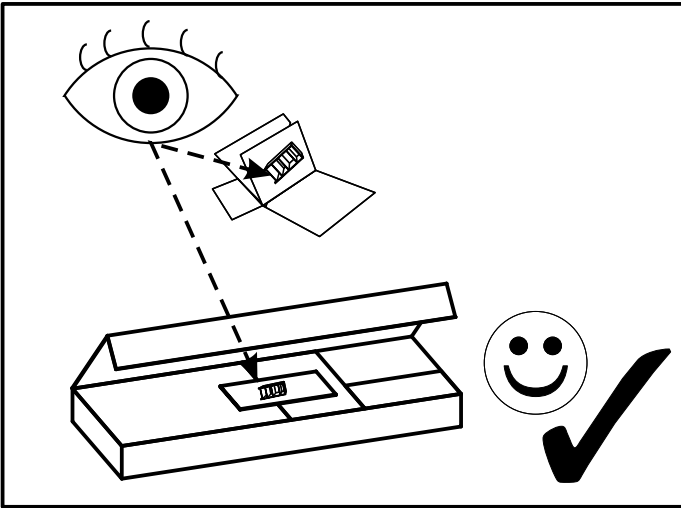
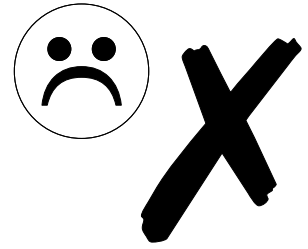
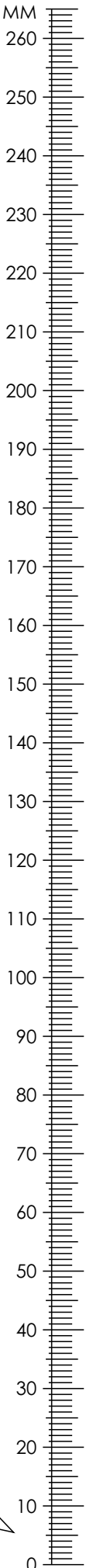


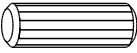




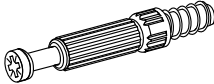


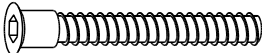
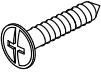


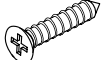
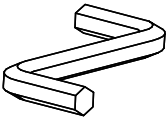

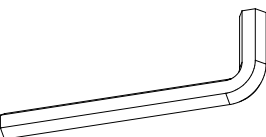

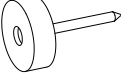
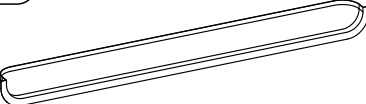
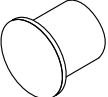

MONACO MOAL02

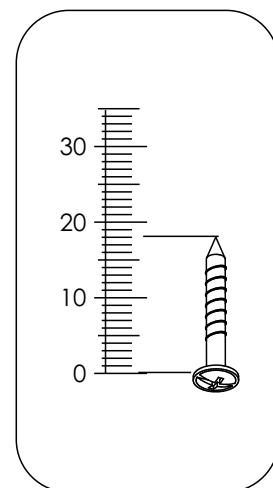




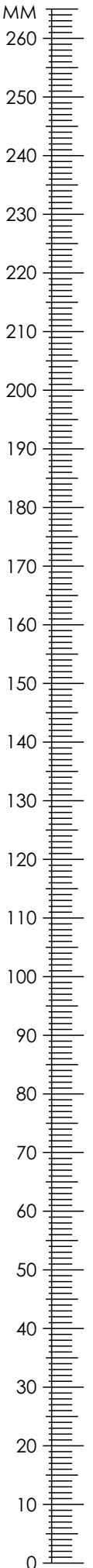
MONACO MOAL02

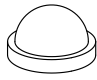


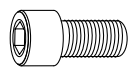



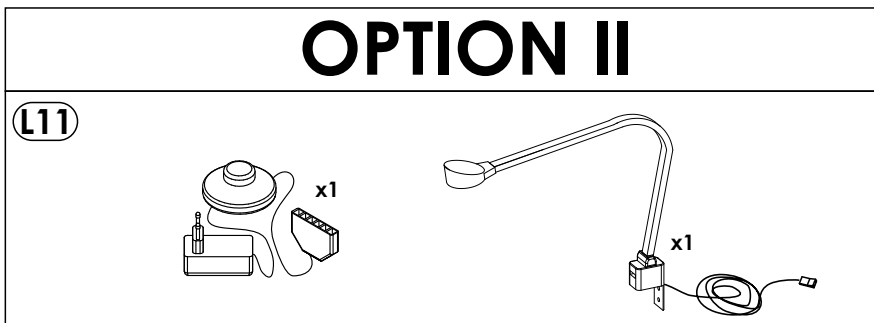
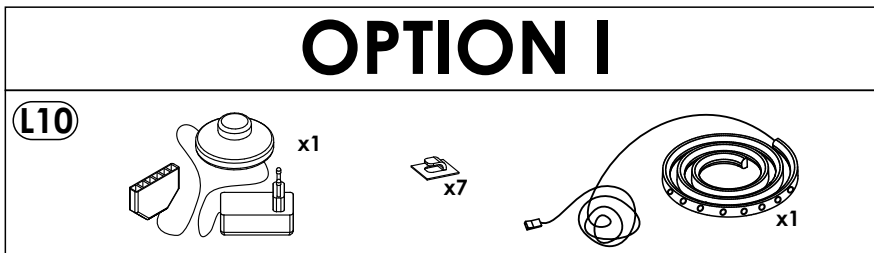
A0 ø8 x 24 mm x34 	A1 ø8 x 35 mm x44 	E0a  x4
E0b  x16	E1 15 x 12 mm x20 	F1 6 x 34 mm x20 
G0a  x7	G0b  x12	G1 φ7 x 50 mm x27 
I6 4 x 40 mm x46 	I11 4 x 27 mm x12 	I17 3 x 13 mm x10 
J6 4 x 25 mm x9 	M  x1	M2 6mm  x1
M3 8mm  x1	N1 3 x 16 mm x70 	O2  x19
P40  x2	P21 ø10 x6 	R1  x12



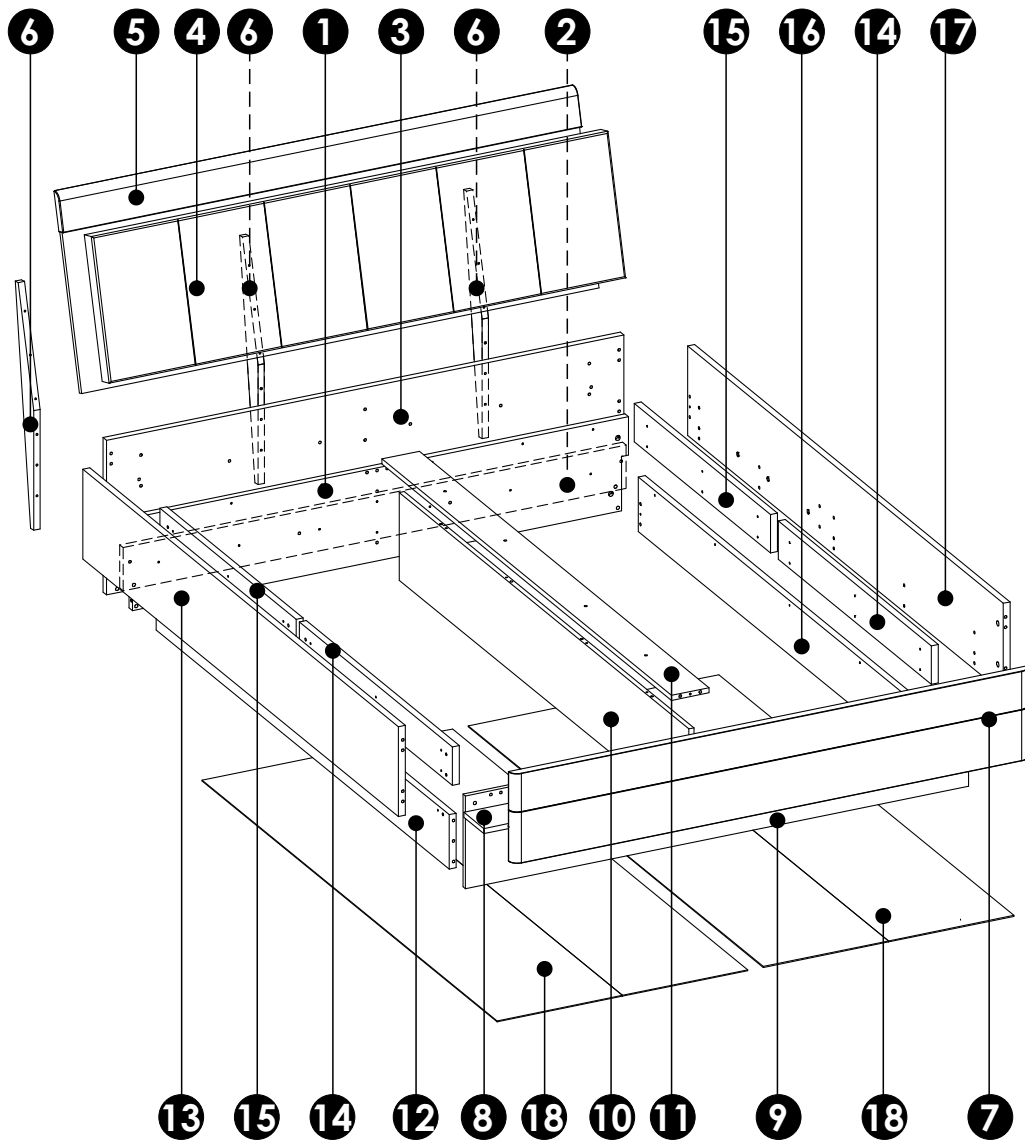
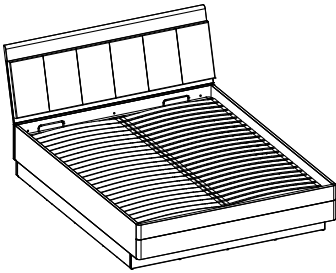
MONACO MOAL02



R5  x2	R22  x6	S18  x6
S19 M8 x 20 mm  x6	W16  x2	



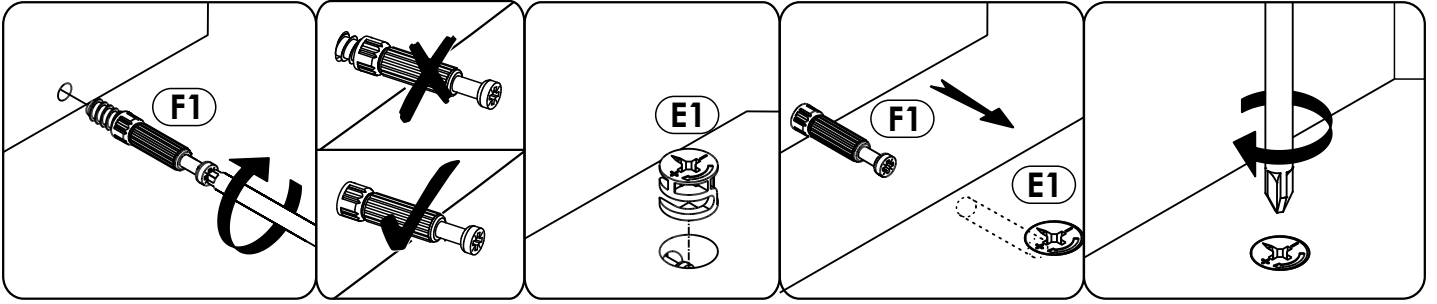
MONACO MOAL02



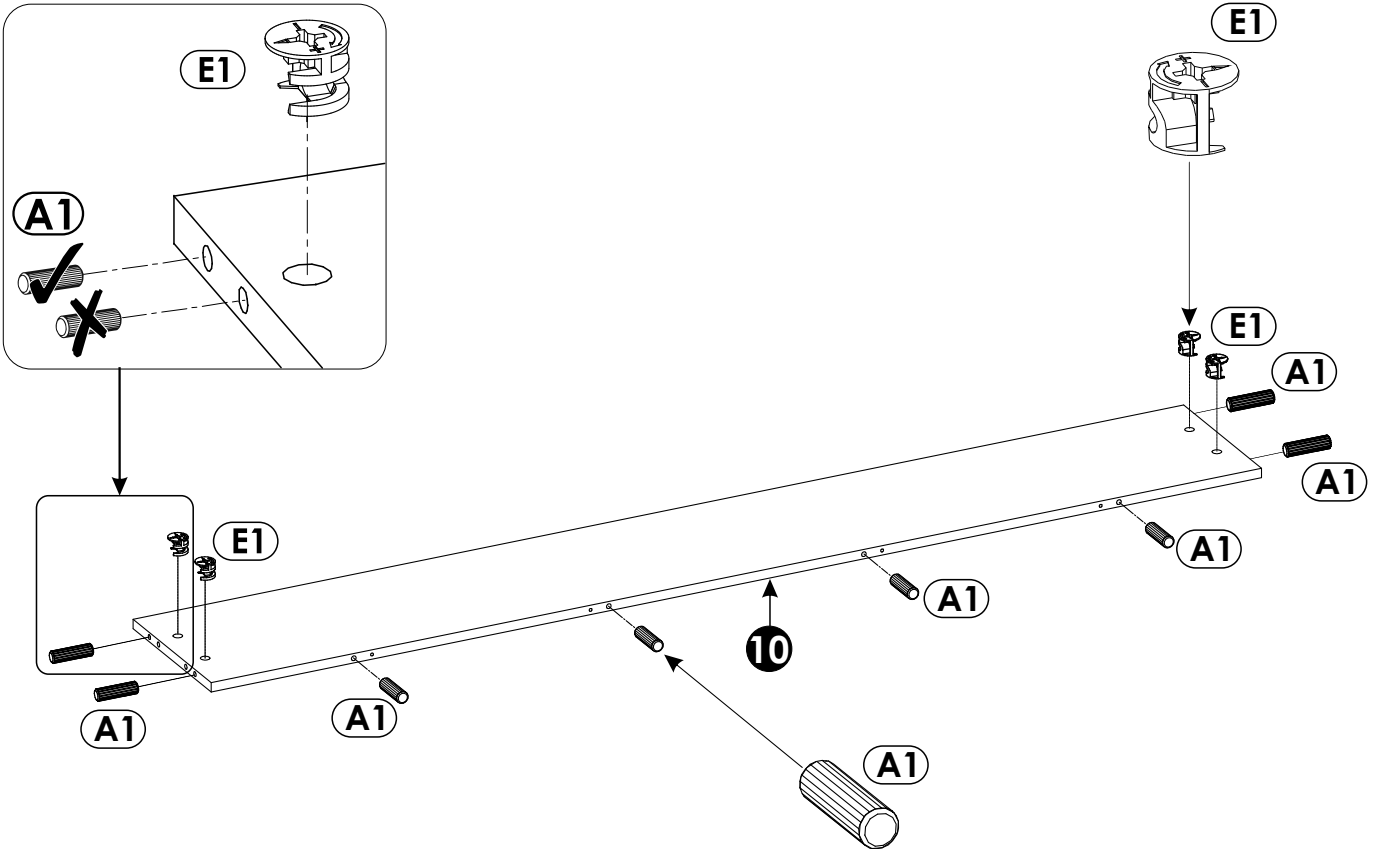
1	1602	290	22	x1	1/5
2	1602	135	22	x1	1/5
3	1648	280	22	x1	2/5
4	1645	428	50	x1	5/5
5	1653	590	28	x1	5/5
6	740	70	20	x3	4/5

7	1648	280	28	x1	2/5
8	1602	127	16	x1	1/5
9	1602	290	16	x1	1/5
10	1845	274	16	x1	1/5
11	1845	120	16	x1	1/5
12	1867	170	22	x1	4/5

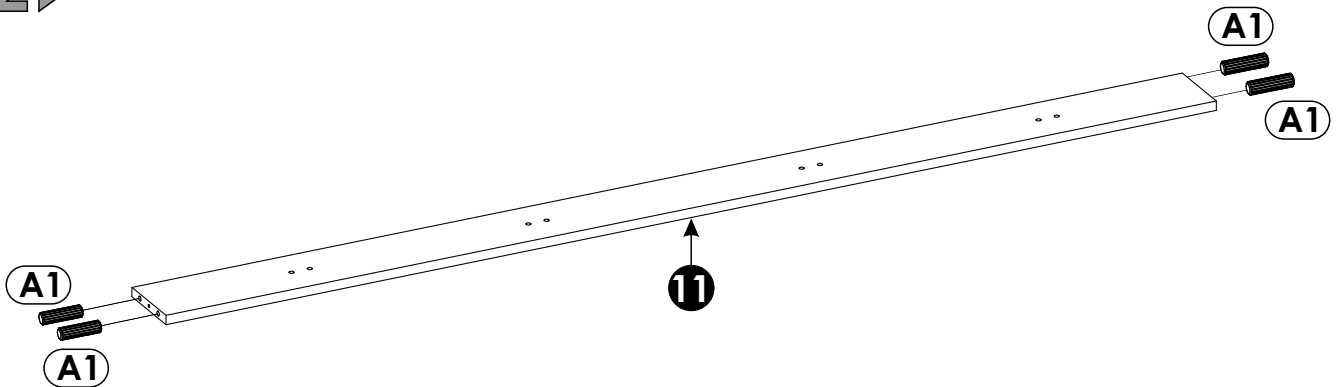
13	2010	280	22	x1	3/5
14	975	120	22	x2	3/5
15	868	120	22	x2	3/5
16	1867	170	22	x1	4/5
17	2010	280	22	x1	3/5
18	1879	798	3	x2	3/5



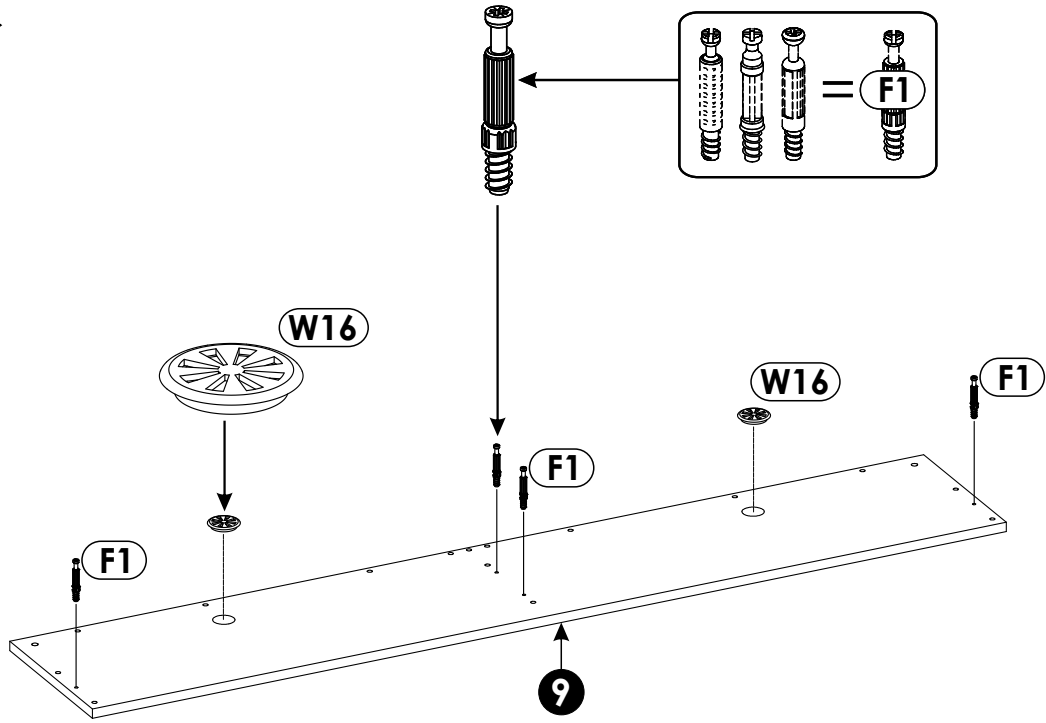
1 ▶



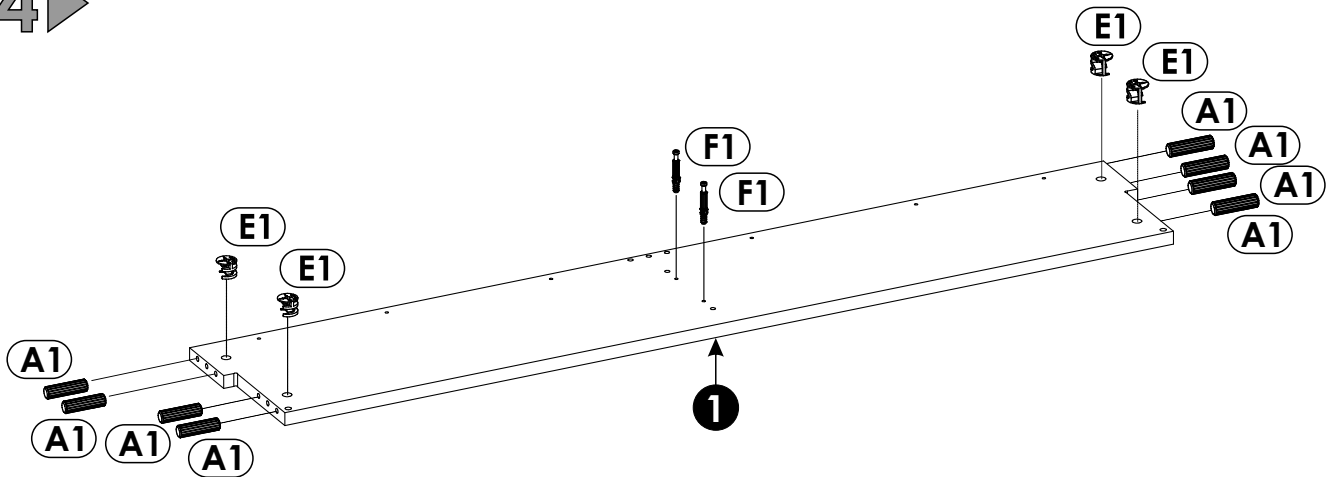
2 ▶



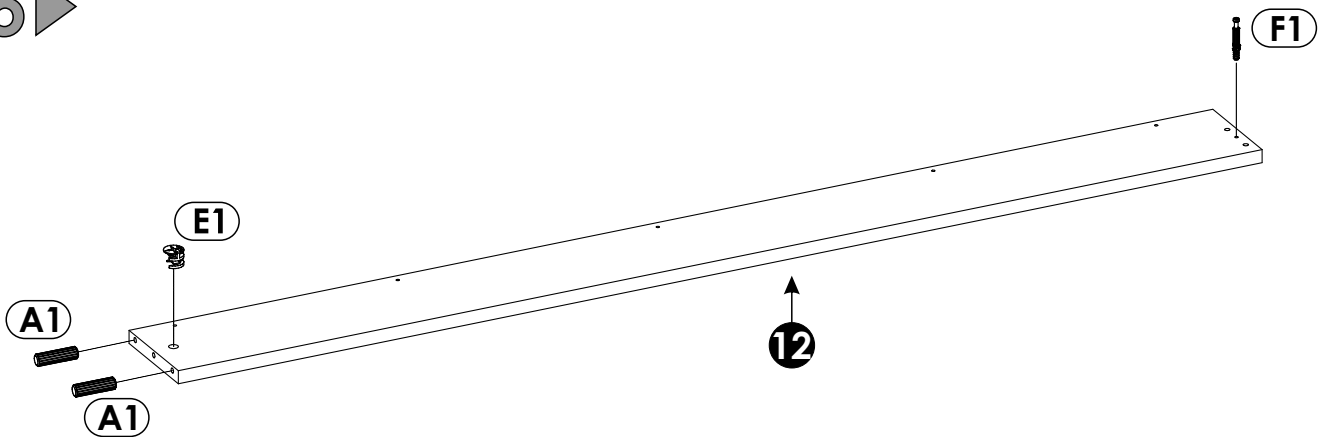
3 ▶



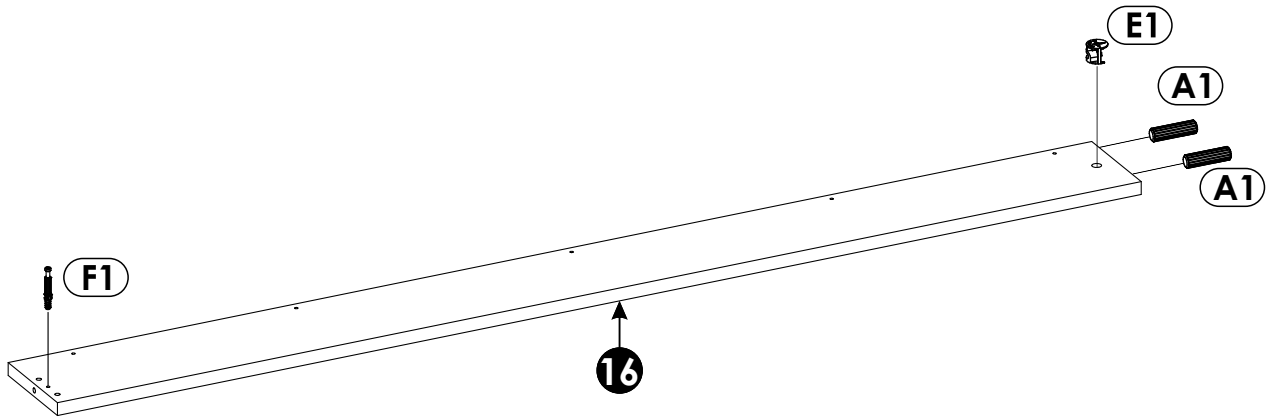
4 ▶



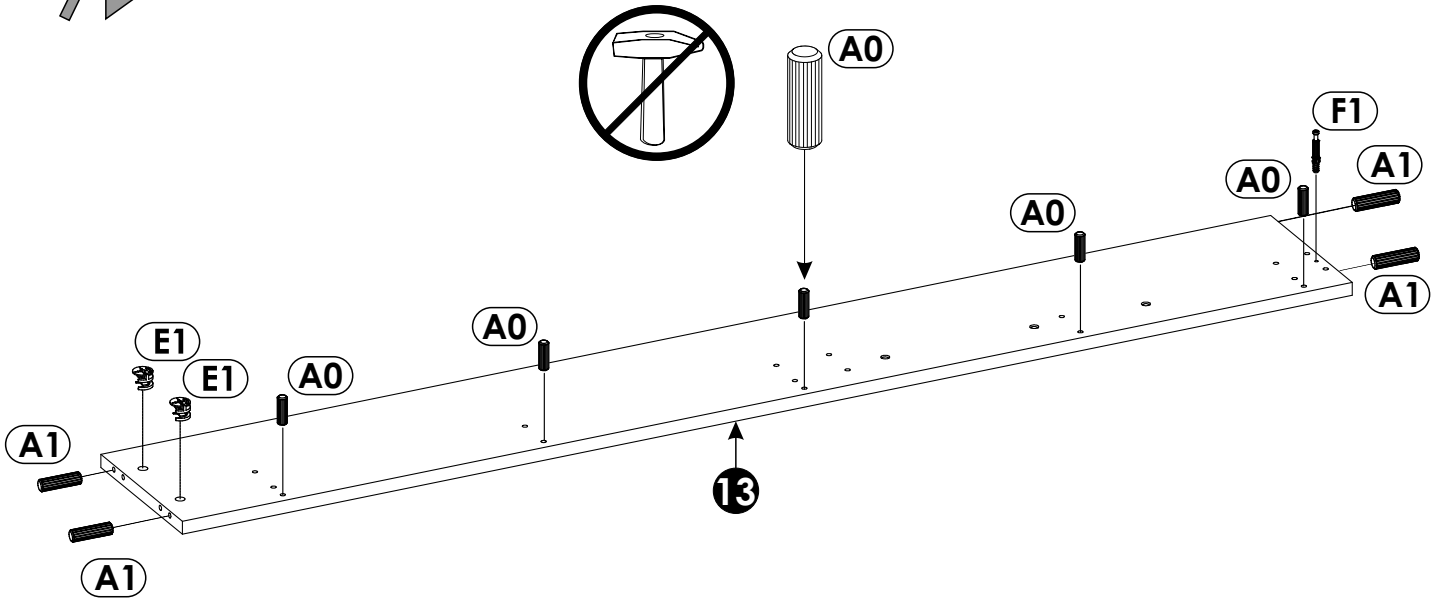
5 ▶



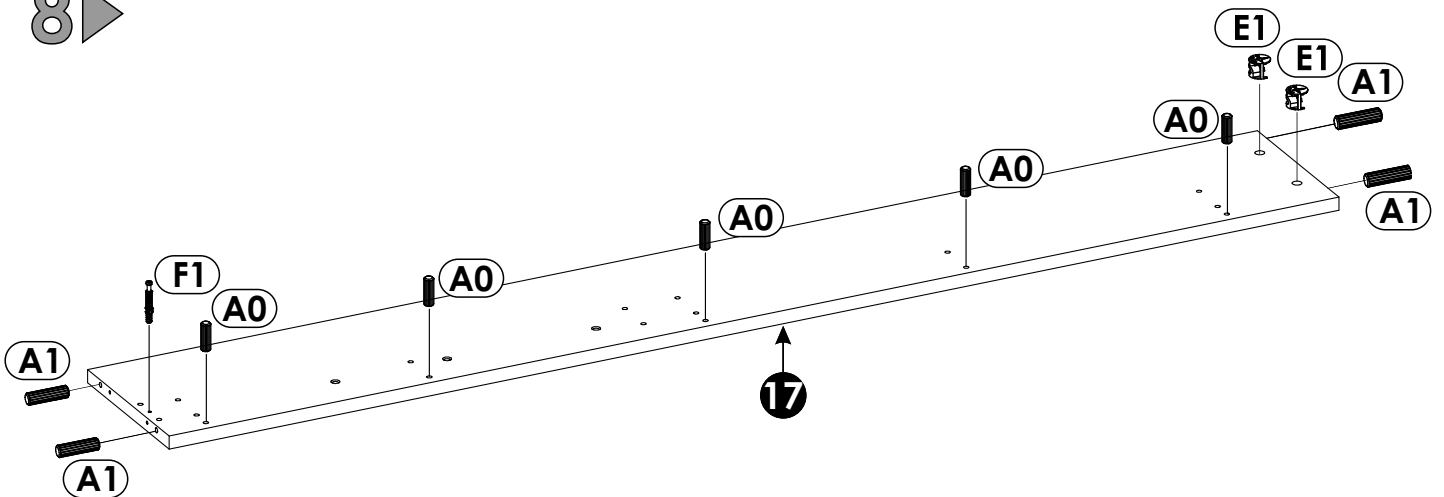
6 ▶



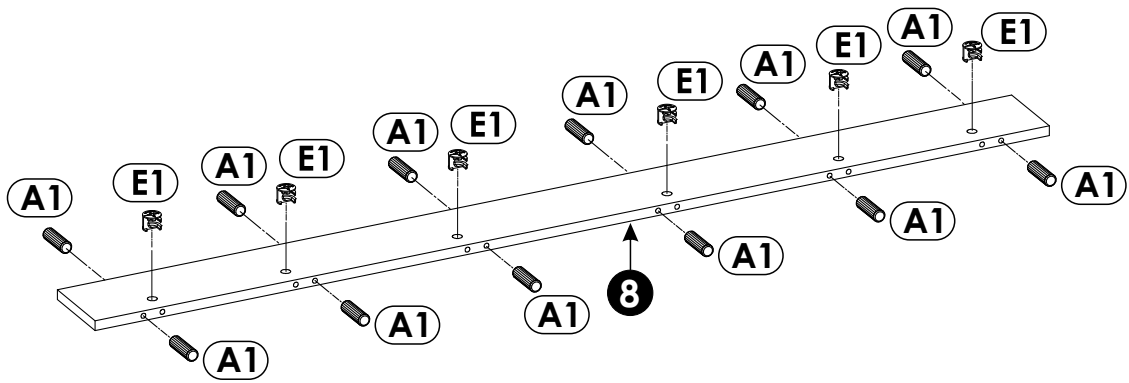
7 ▶



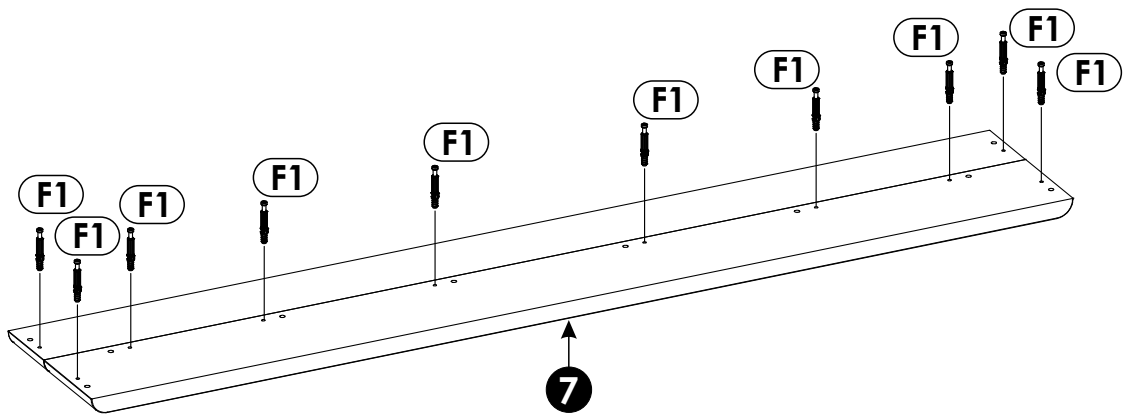
8 ▶



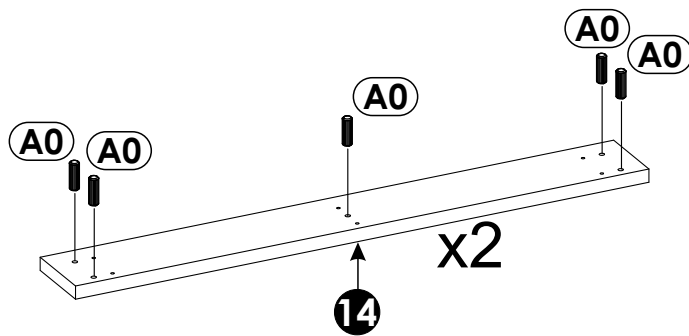
9▶



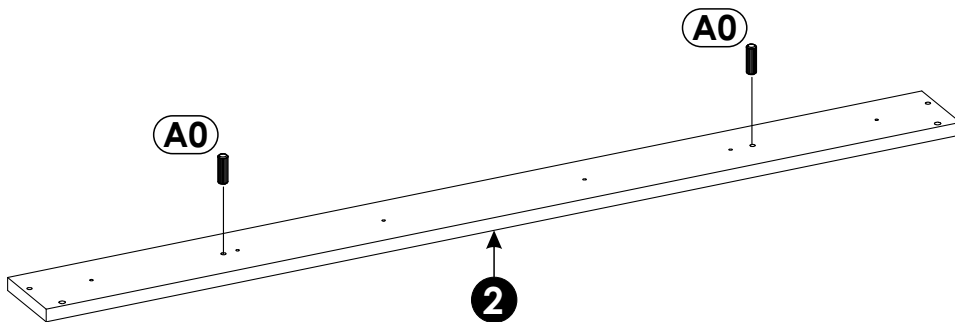
10▶



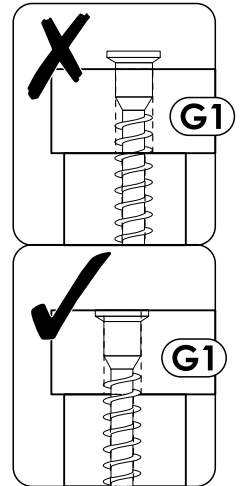
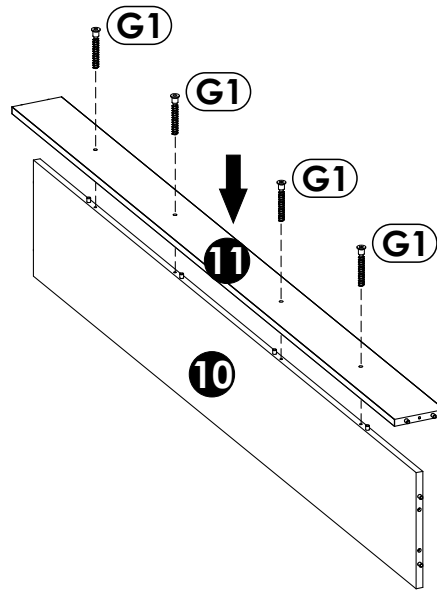
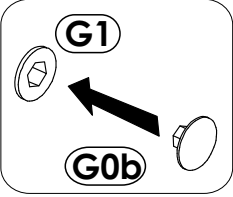
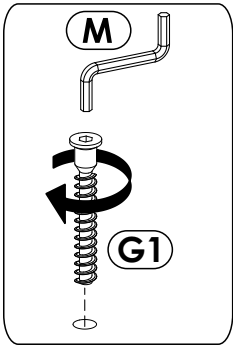
11▶



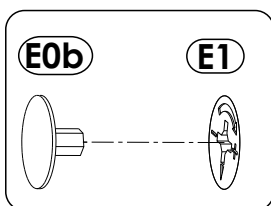
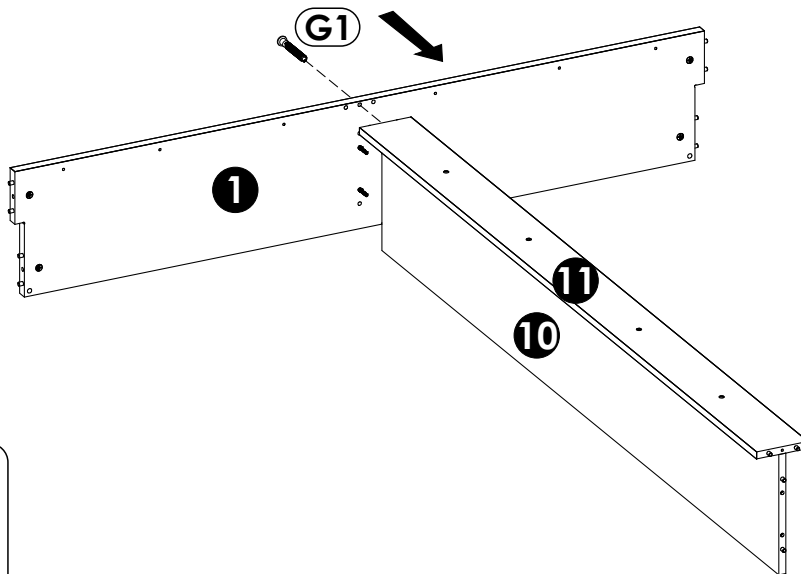
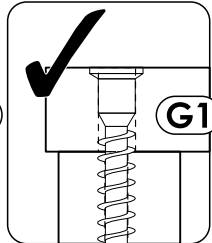
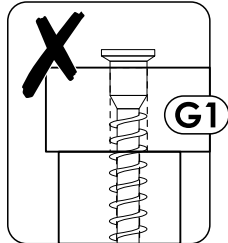
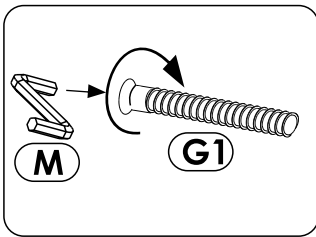
12▶



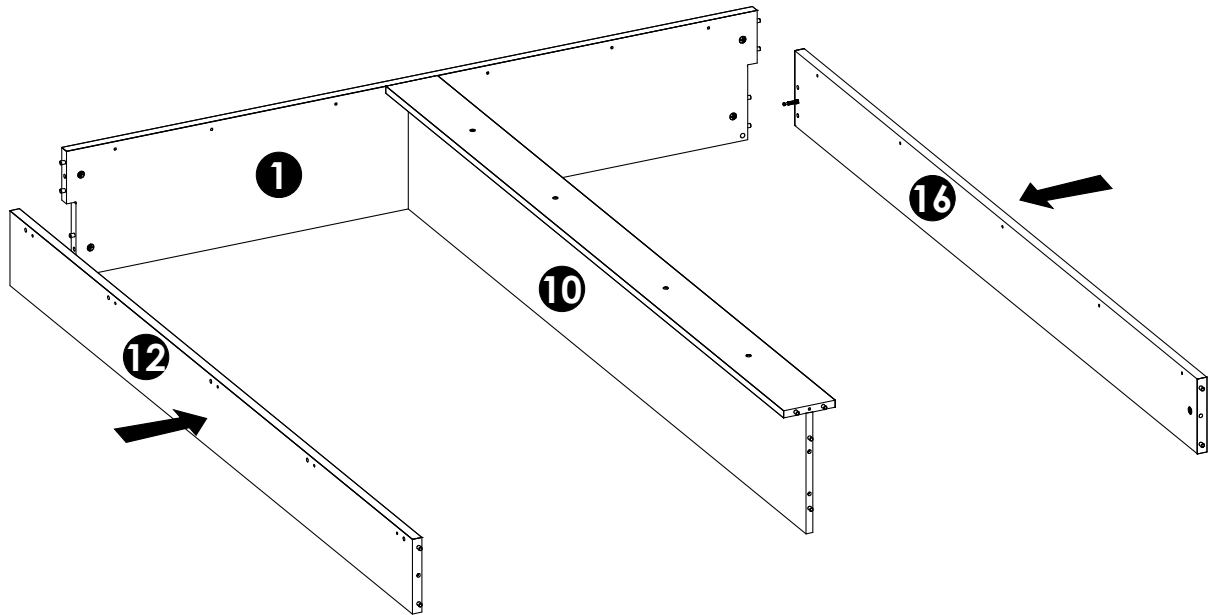
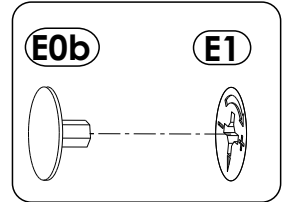
13 ▶



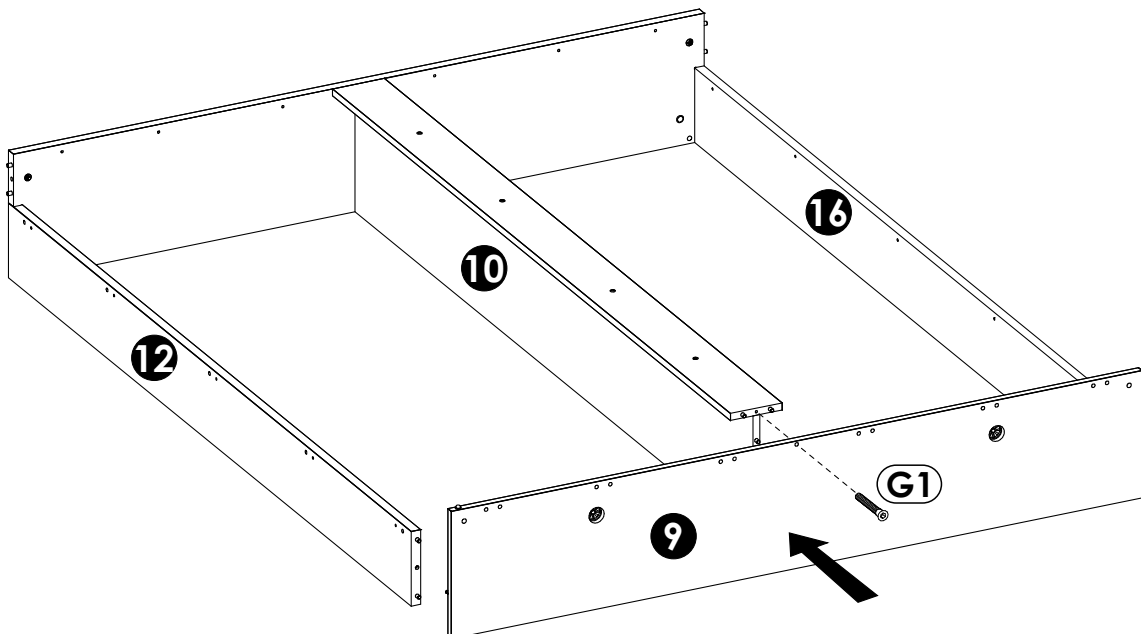
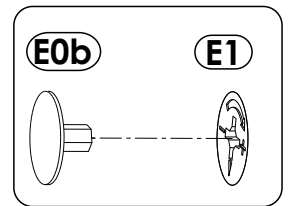
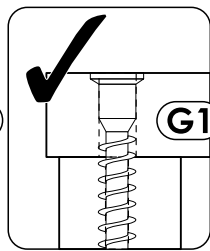
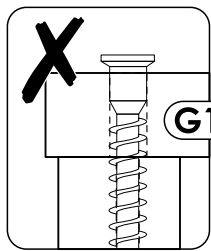
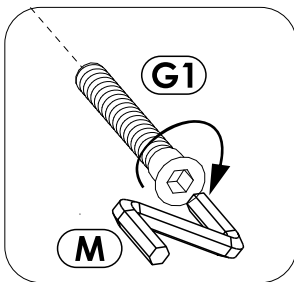
14 ▶



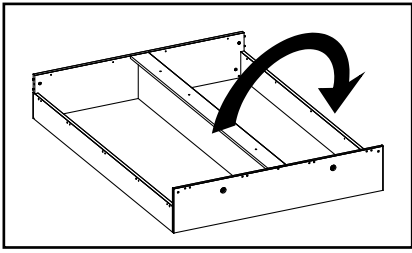
15▶



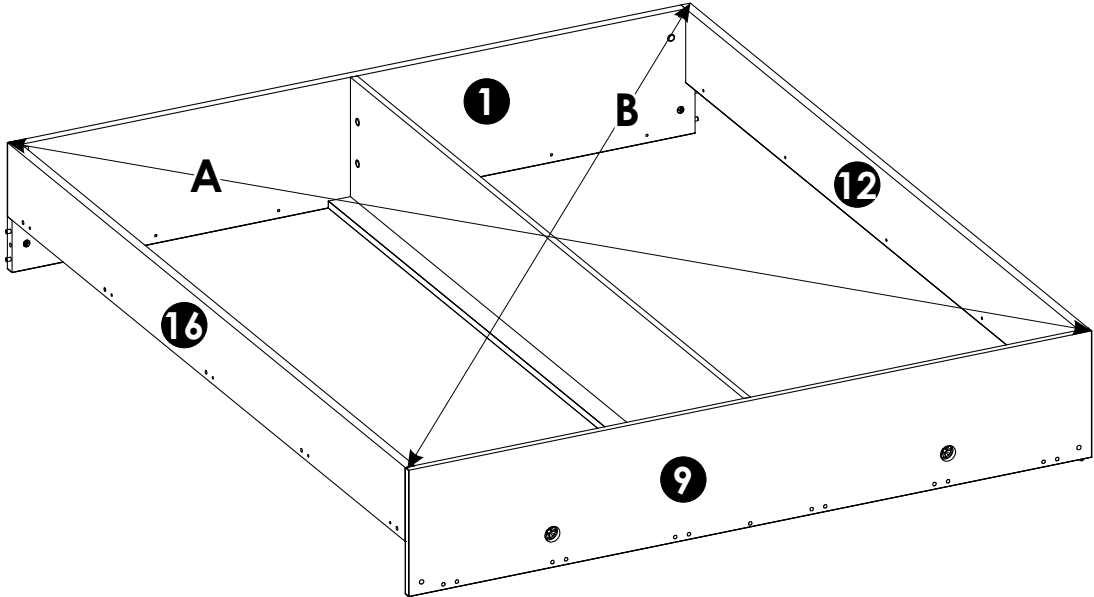
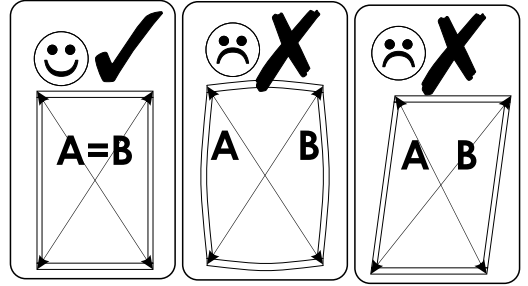
16▶



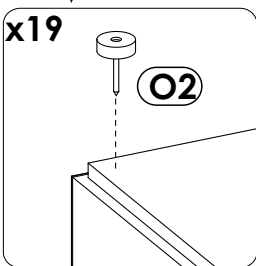
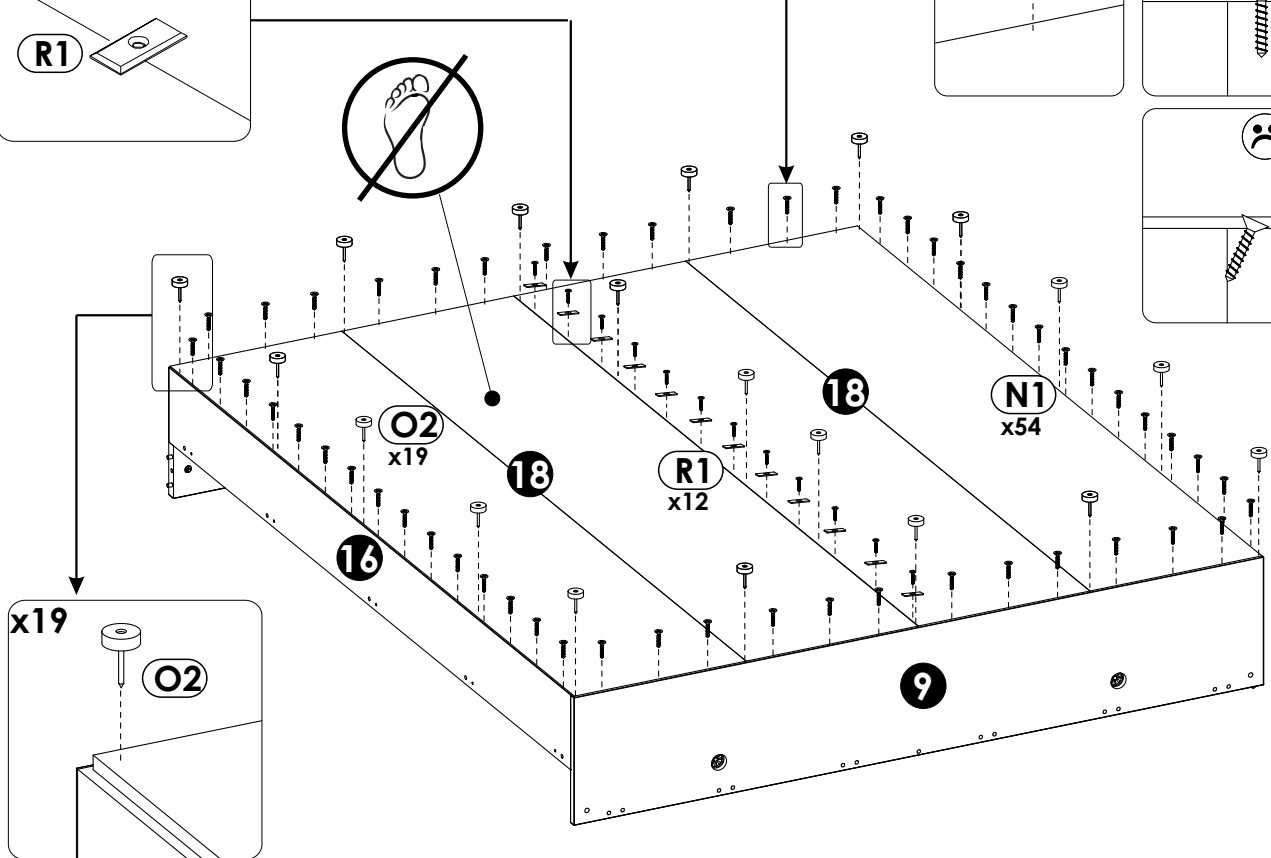
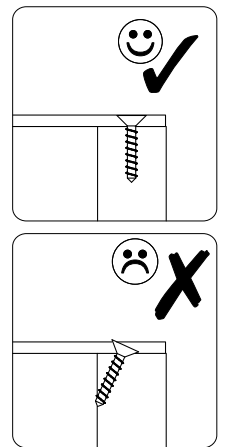
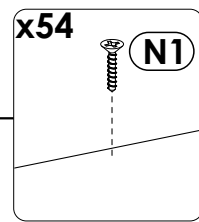
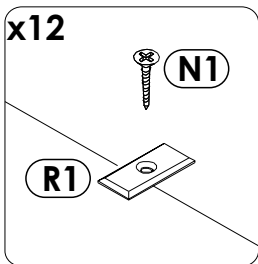
17▶



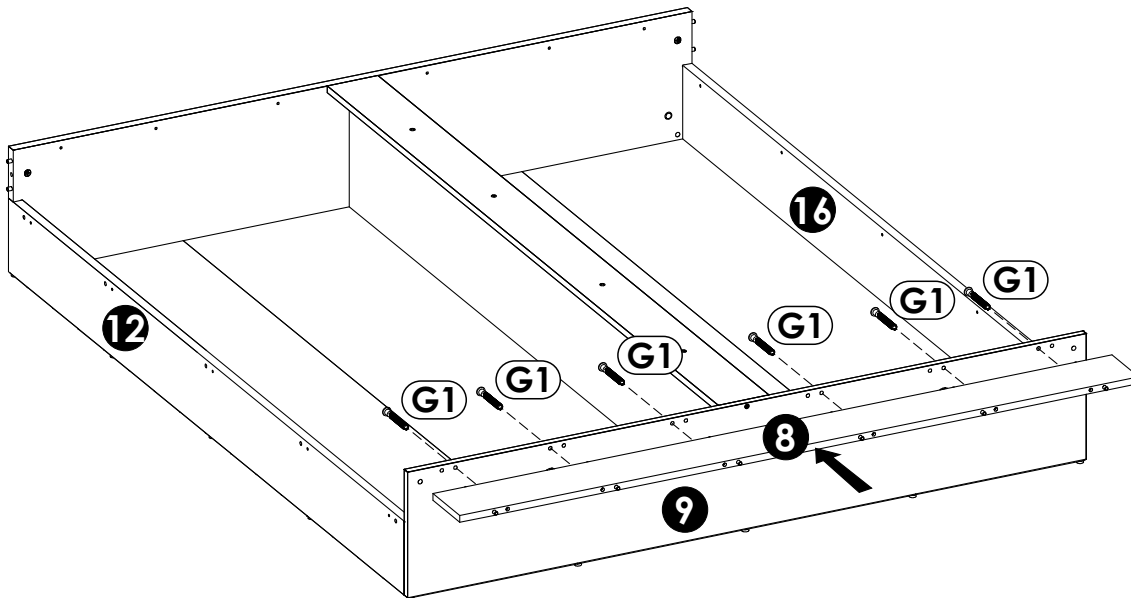
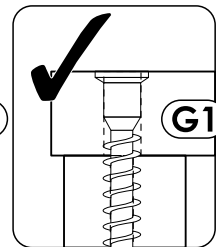
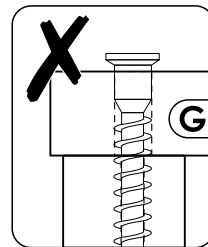
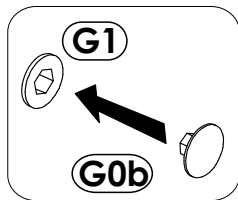
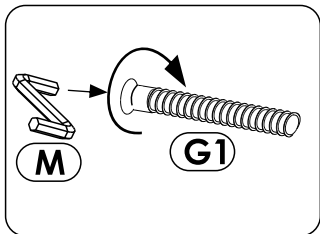
A=B



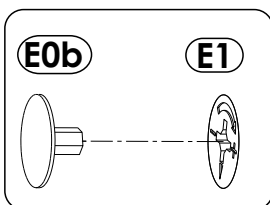
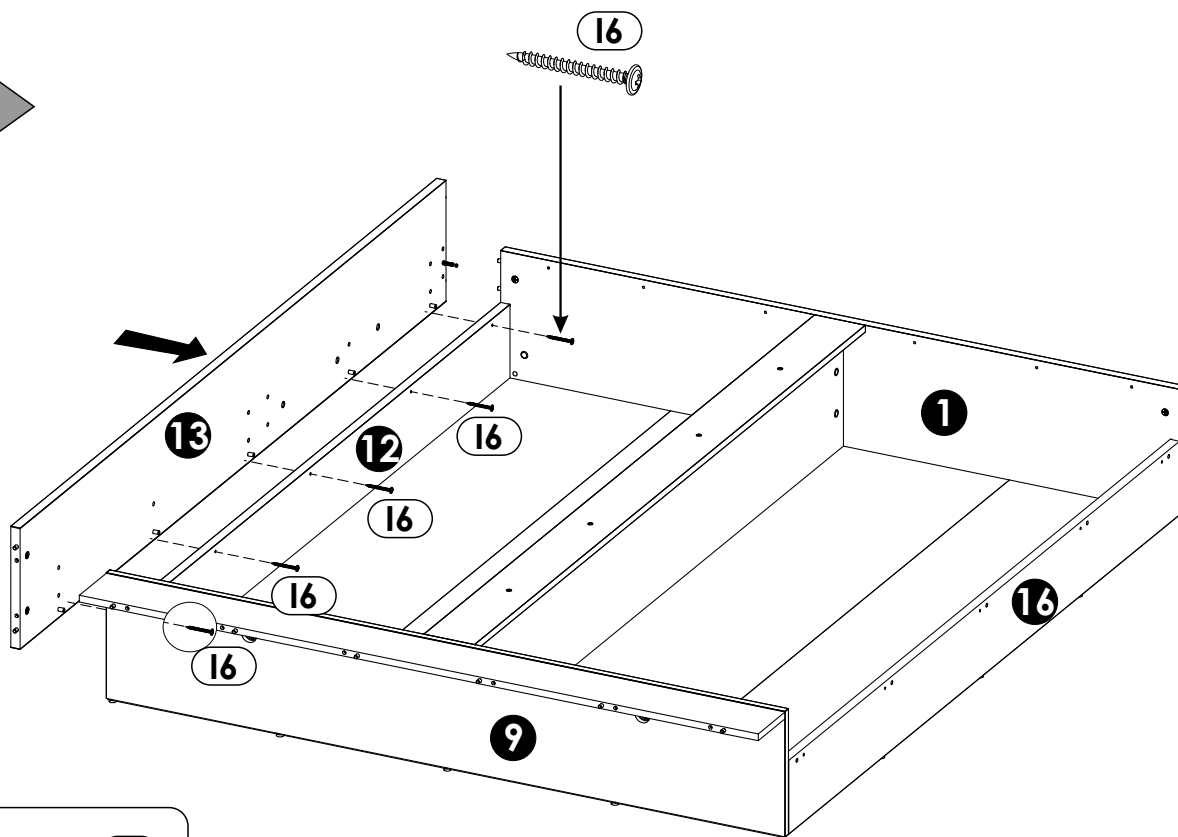
18▶



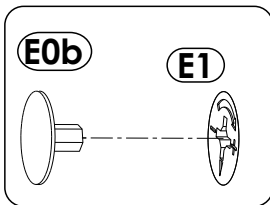
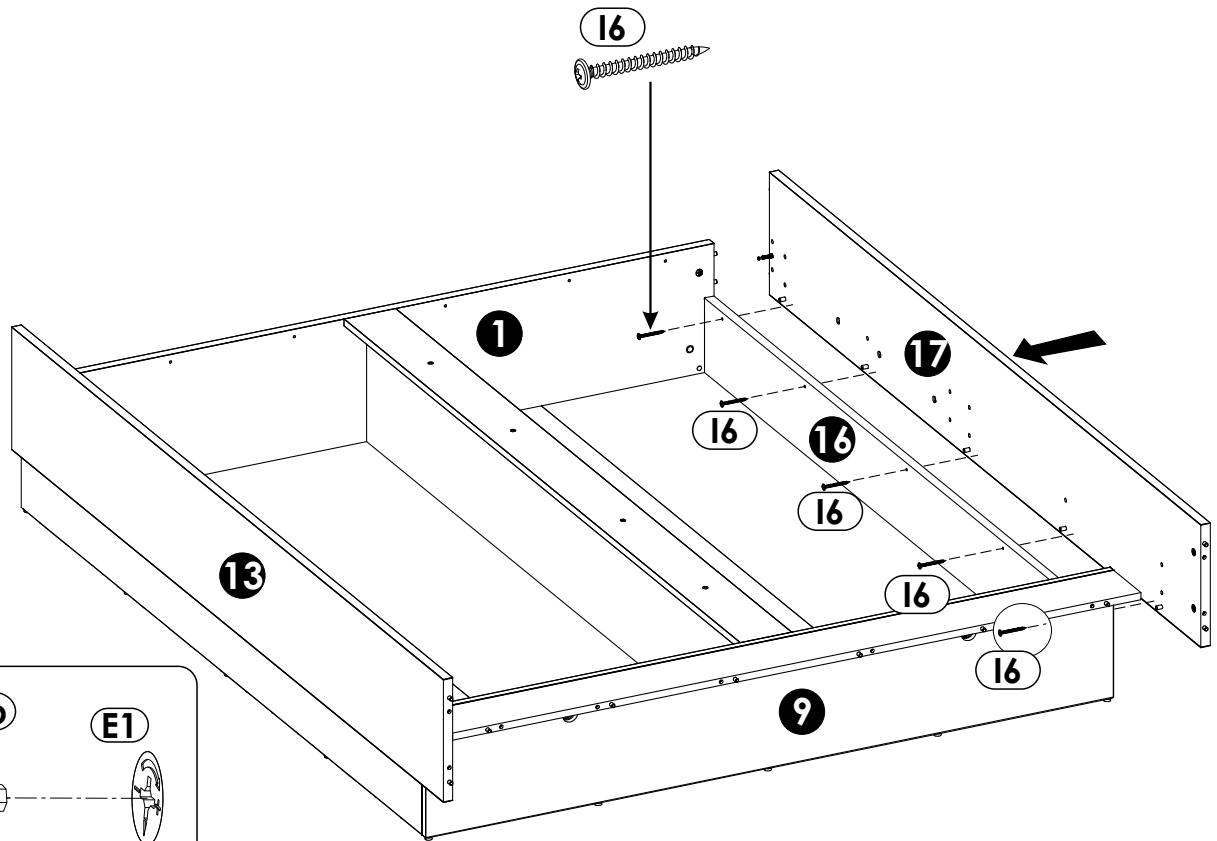
19 ▶



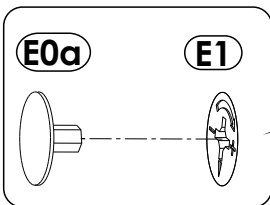
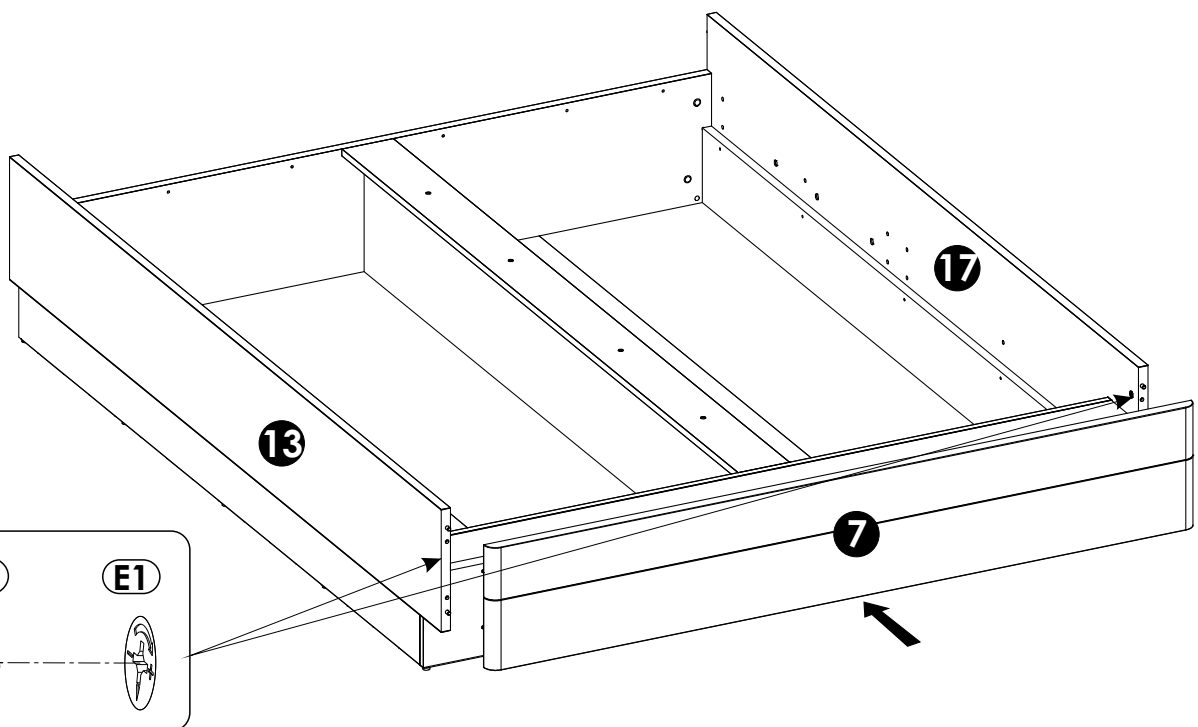
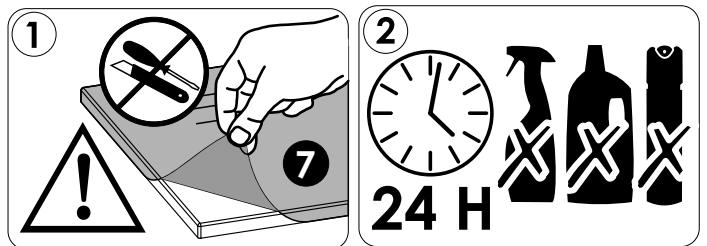
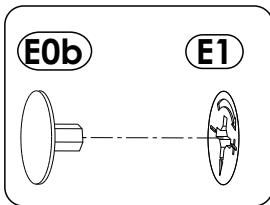
20 ▶



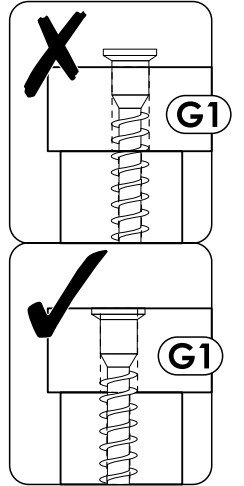
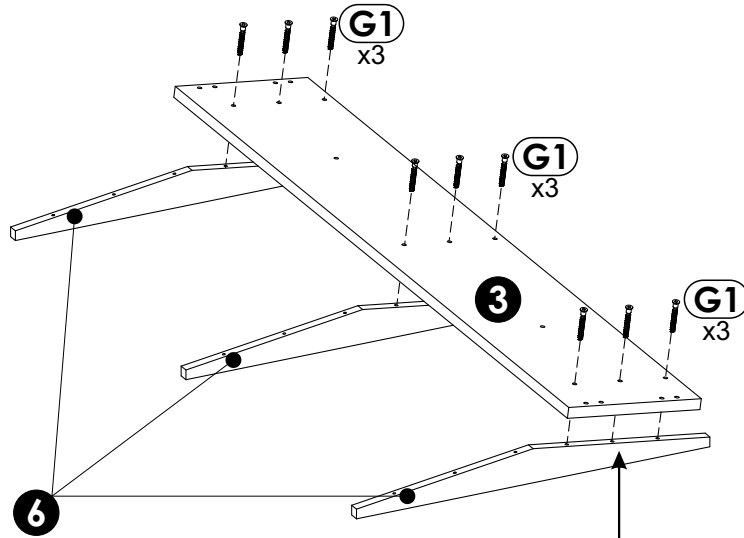
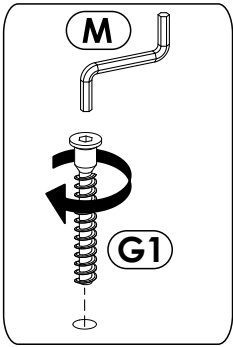
21



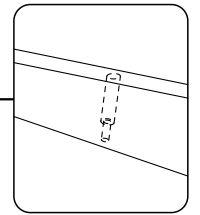
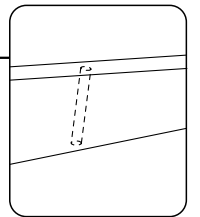
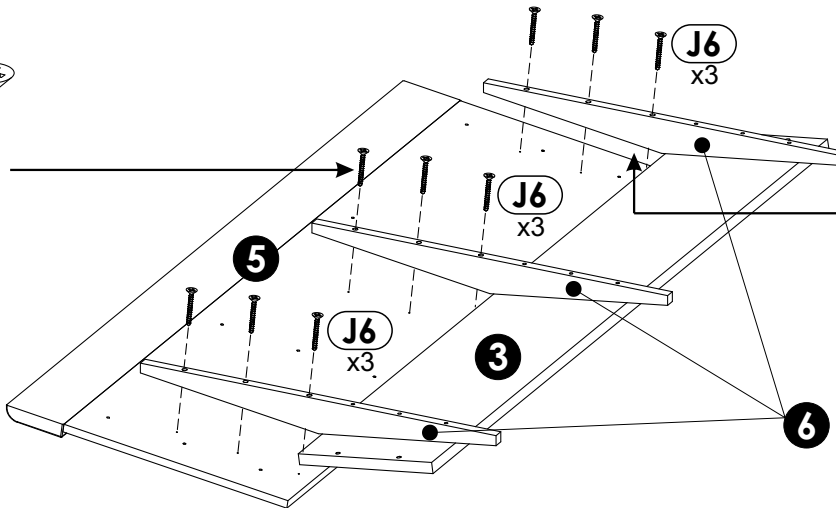
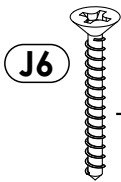
22 ▶



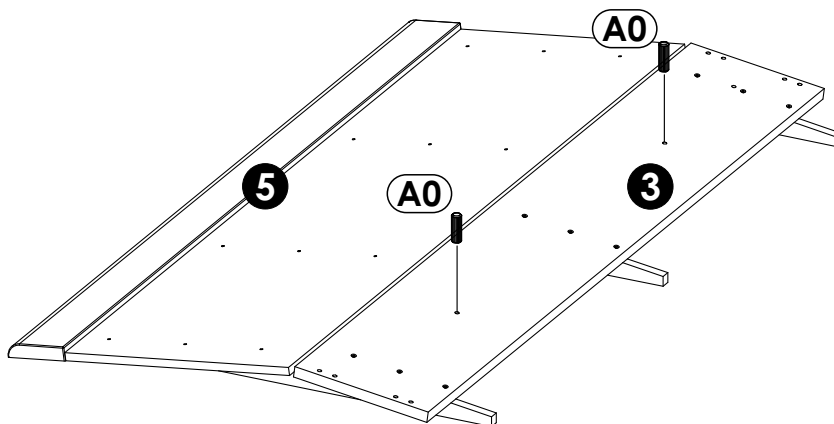
23 ▶



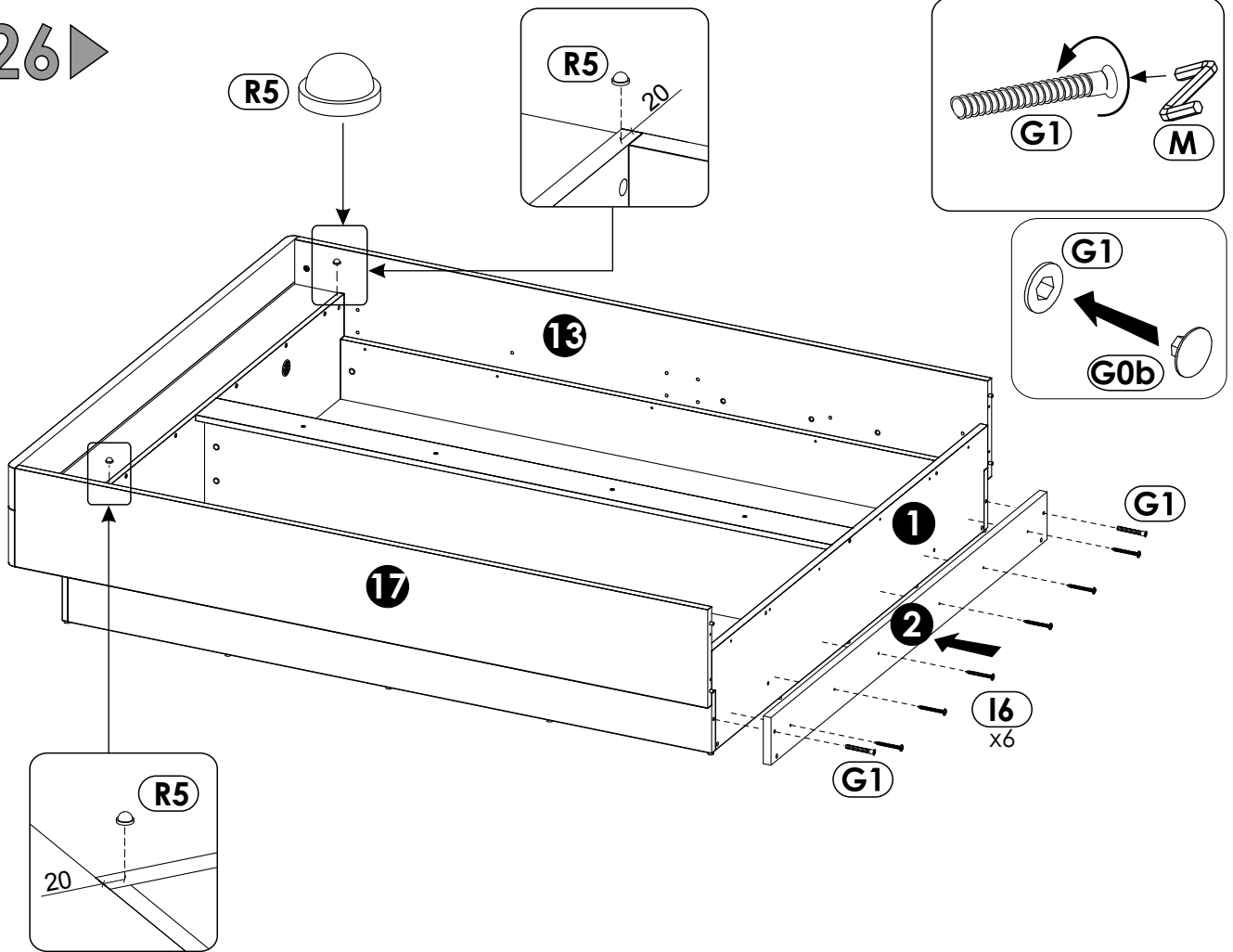
24 ▶



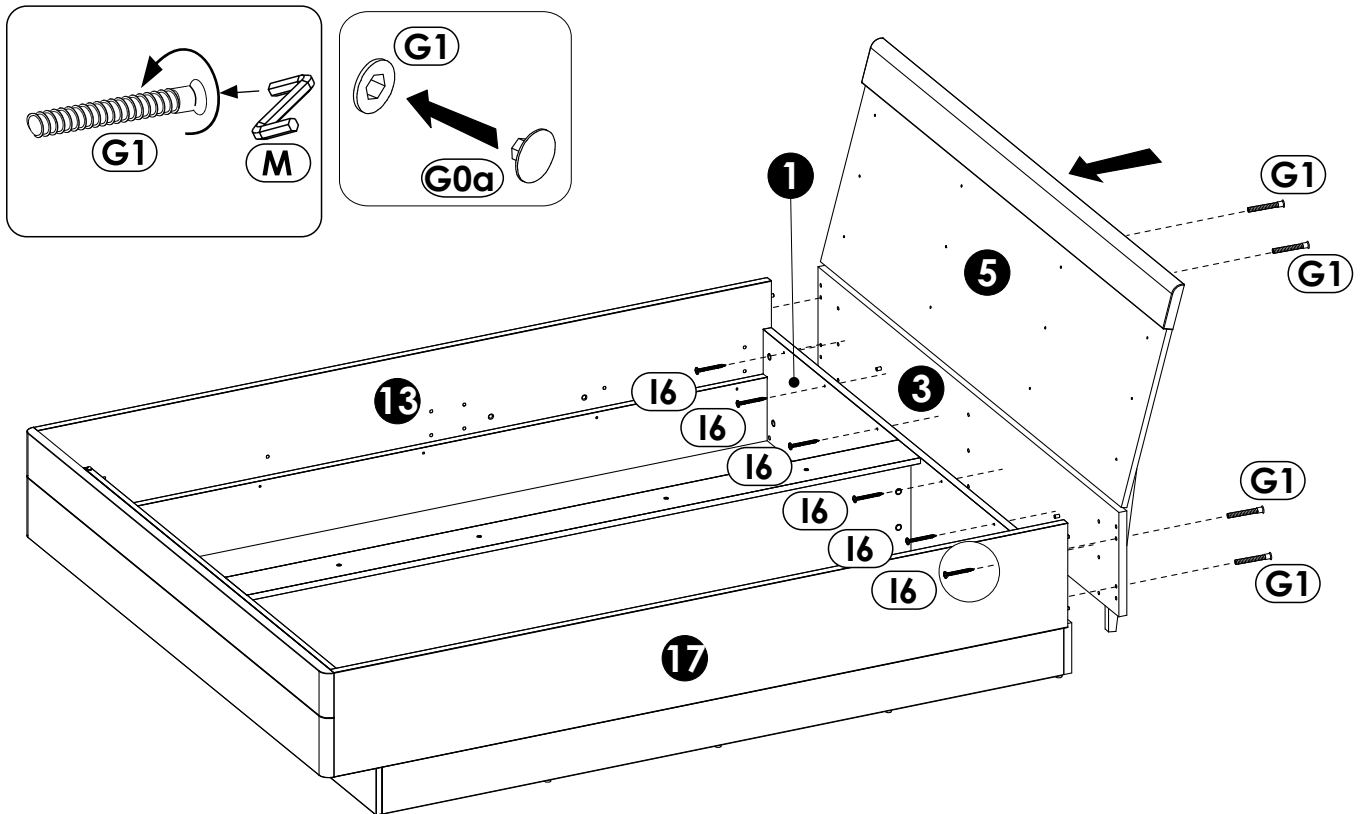
25 ▶



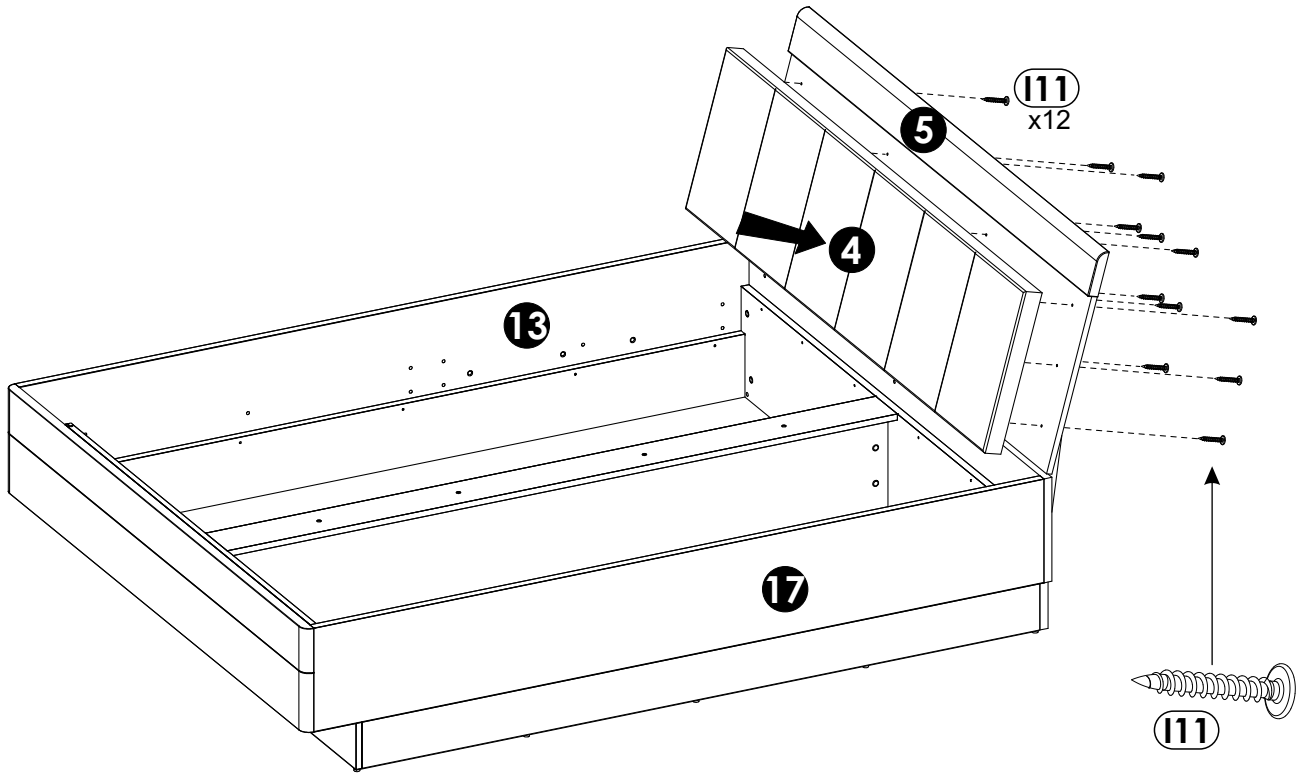
26 ▶



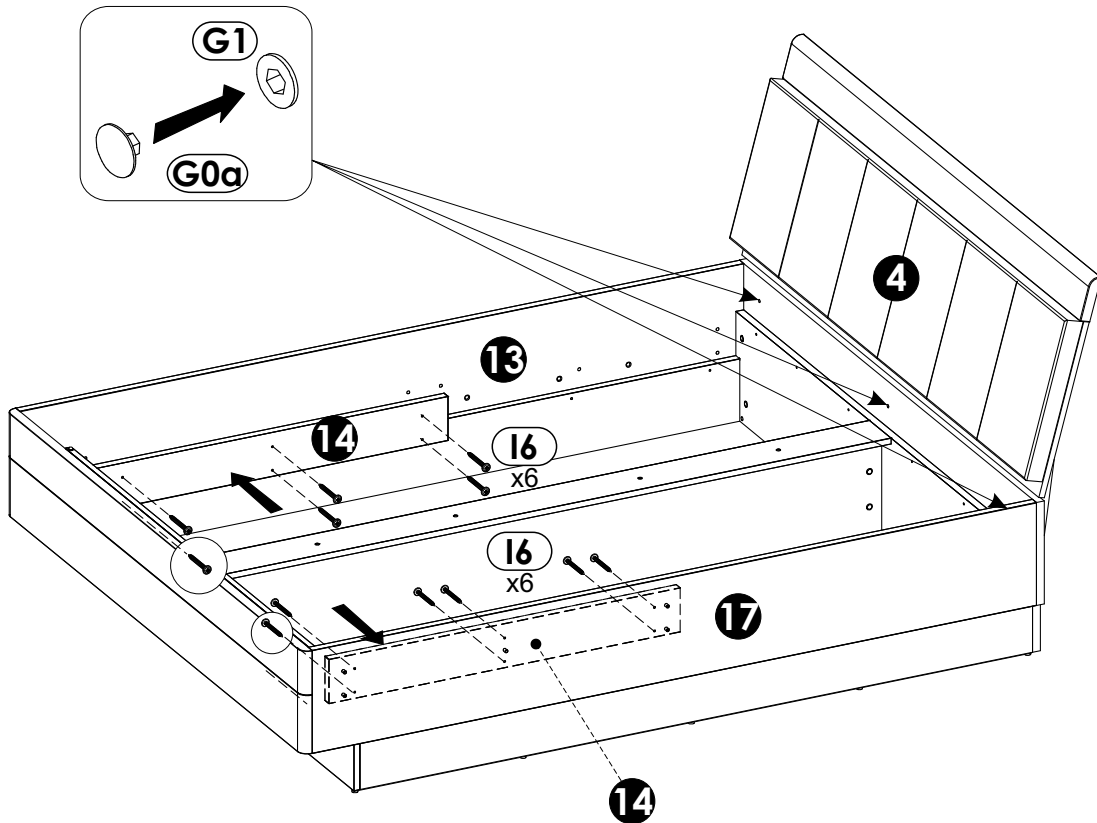
27 ▶



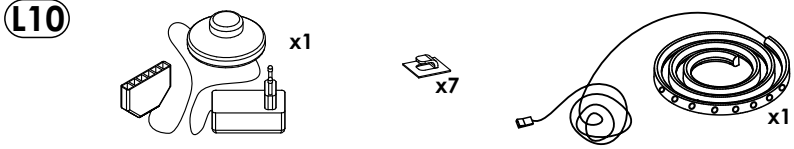
28 ▶



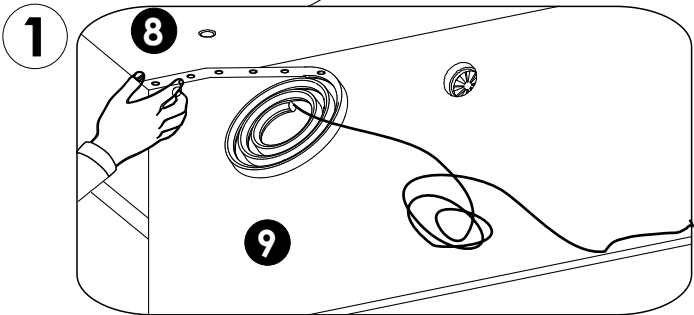
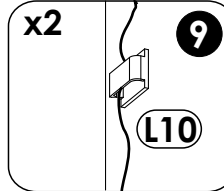
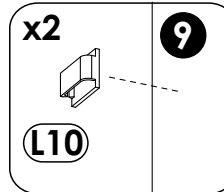
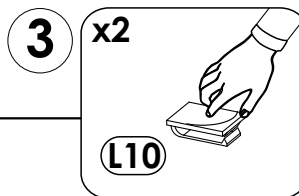
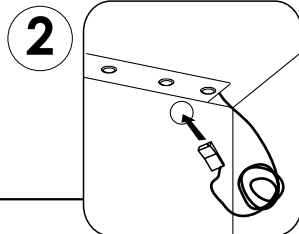
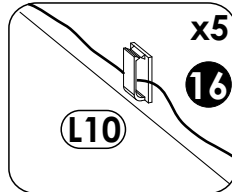
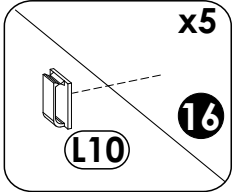
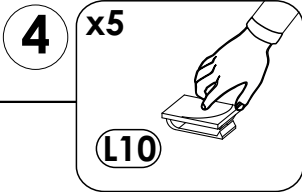
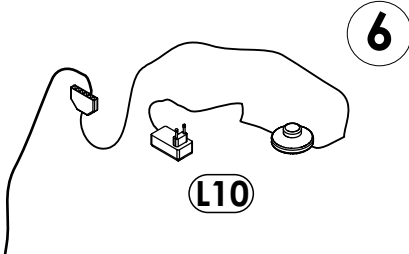
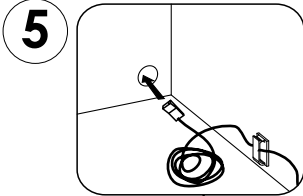
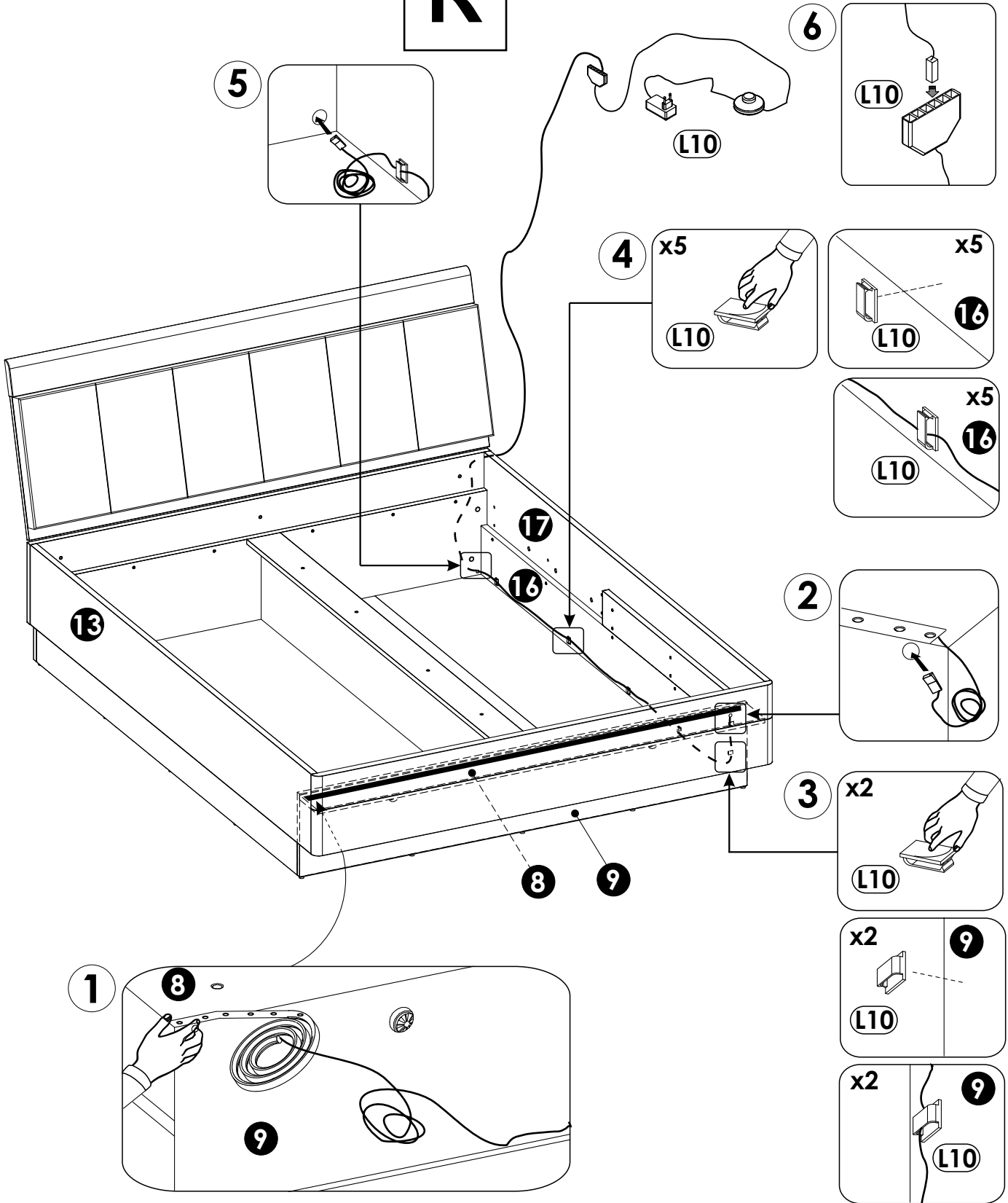
29 ▶



OPTION I

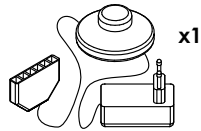


R



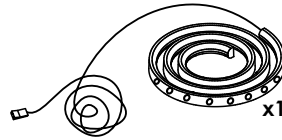
OPTION I

L10



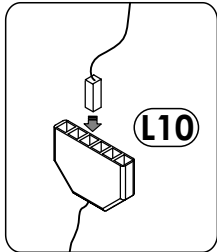
x1

x7

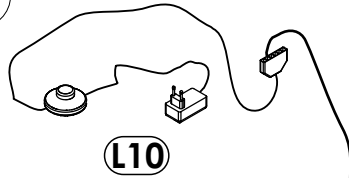


x1

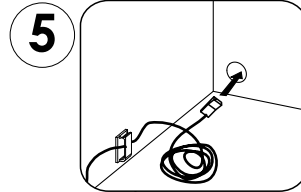
L



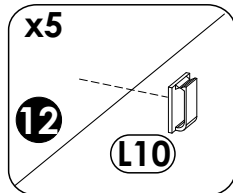
6



L10



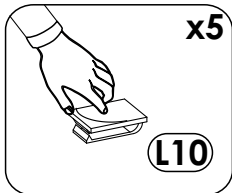
5



x5

12

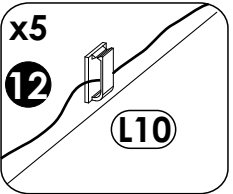
L10



x5

4

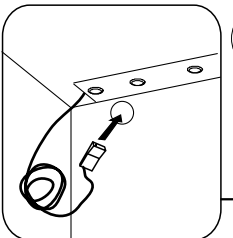
L10



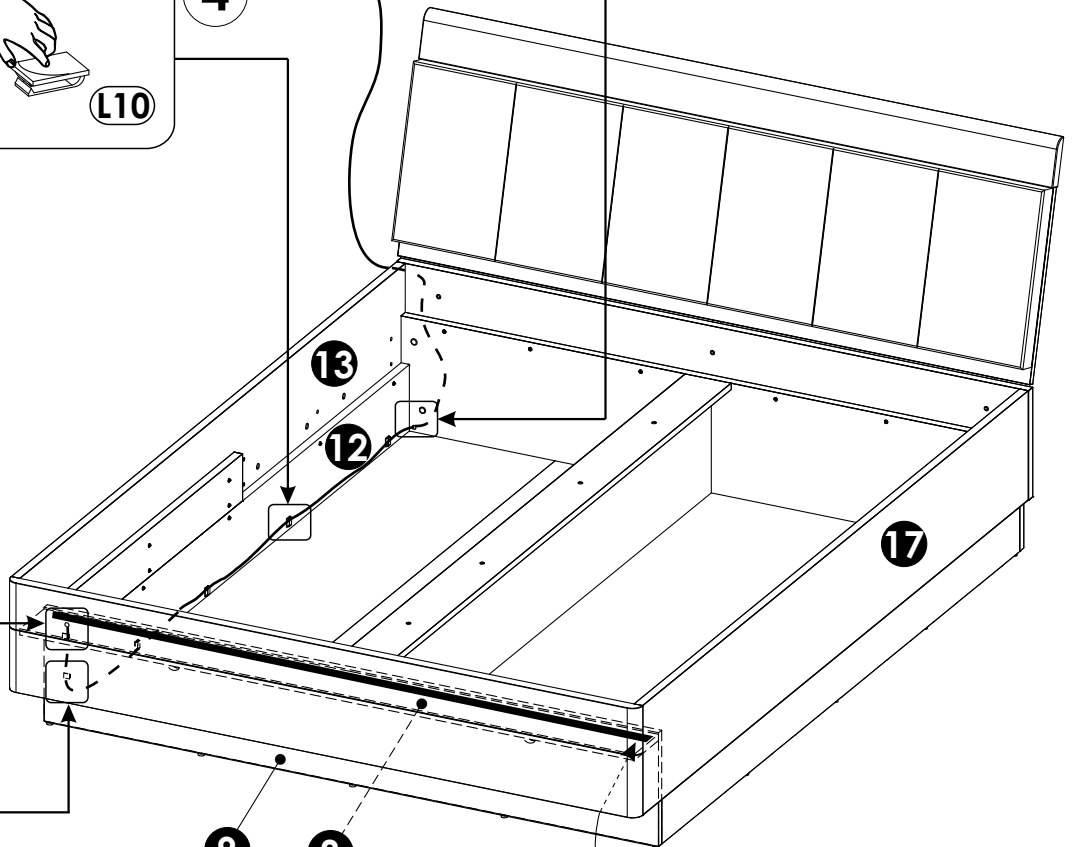
x5

12

L10



2



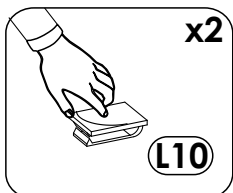
17

13

12

9

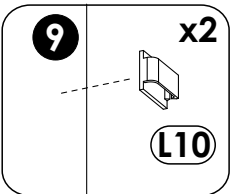
8



x2

3

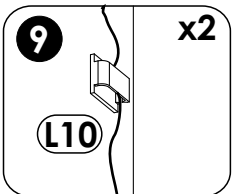
L10



9

x2

L10

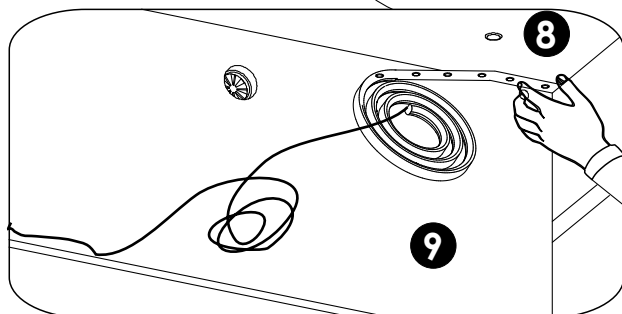


9

x2

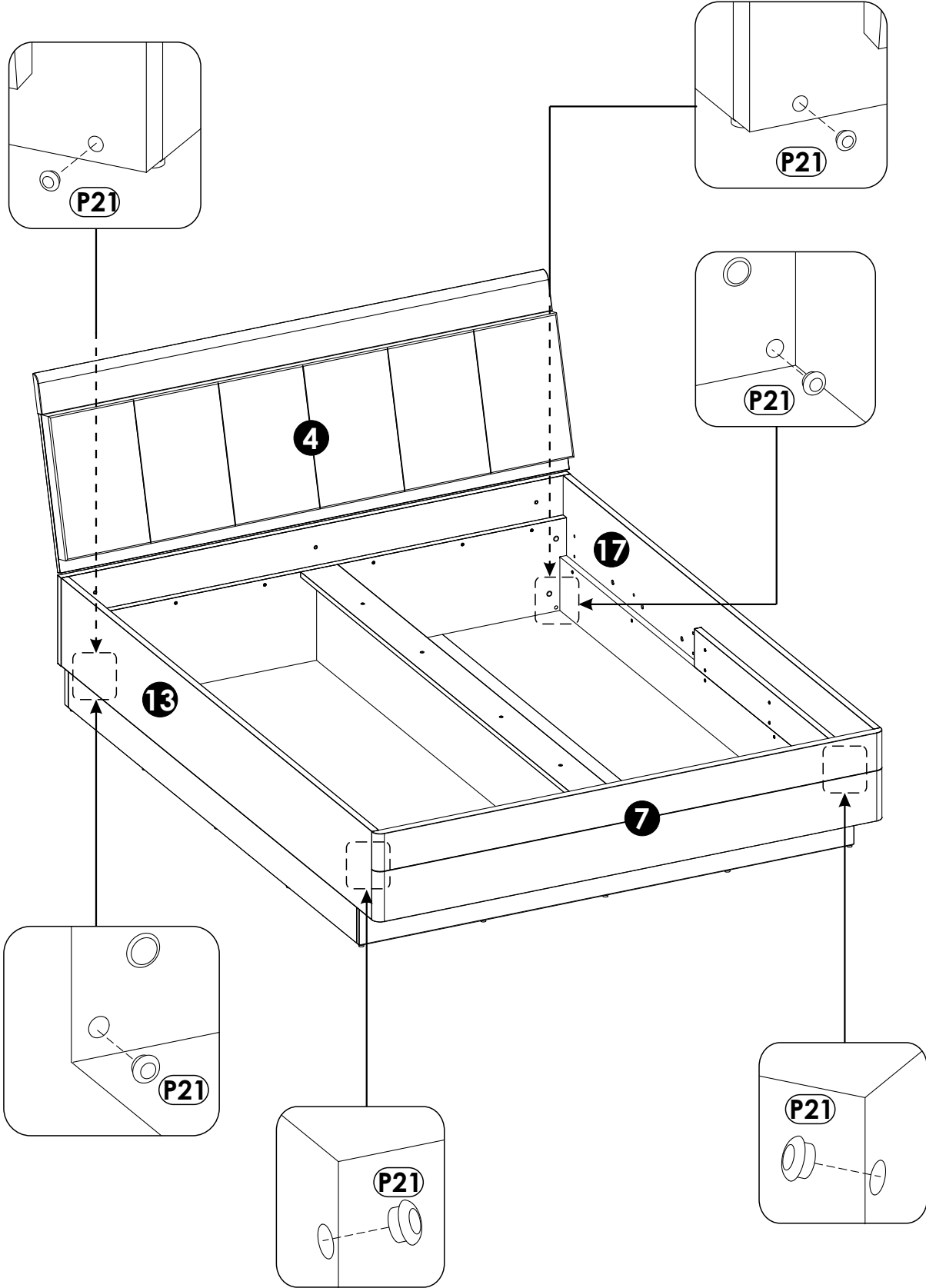
L10

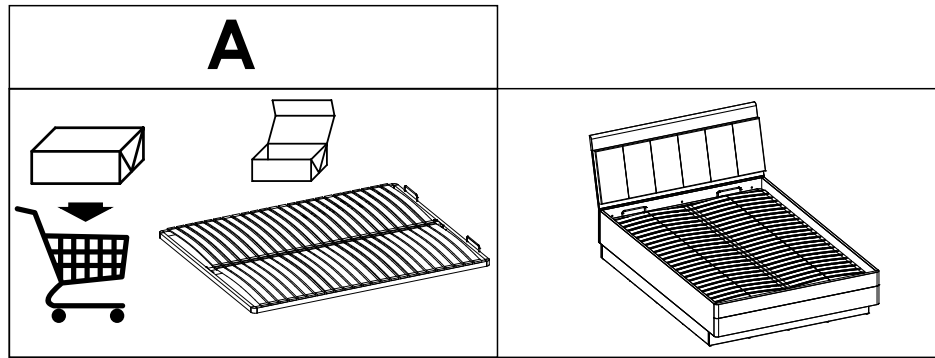
1



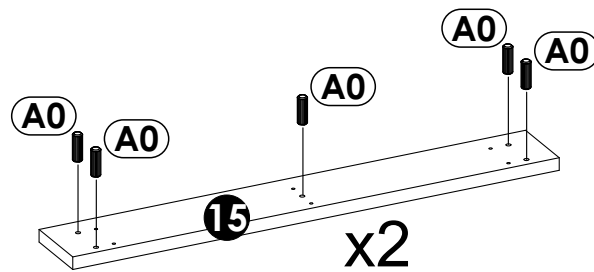
8

9

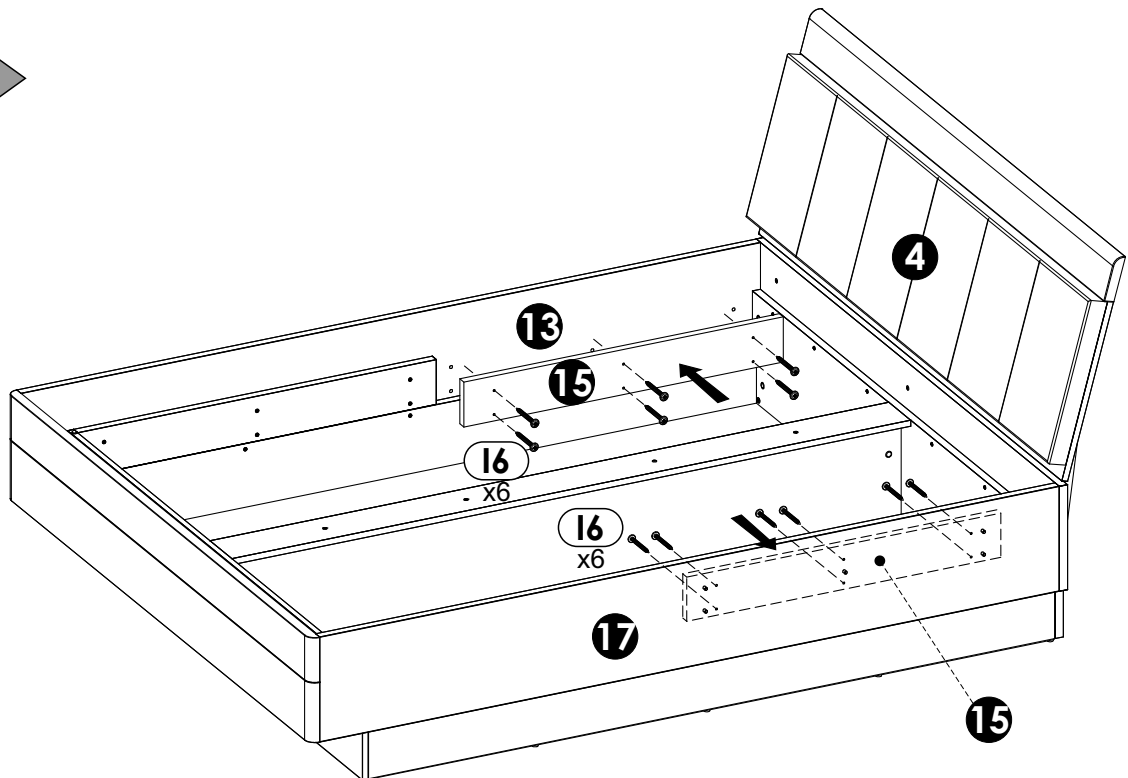




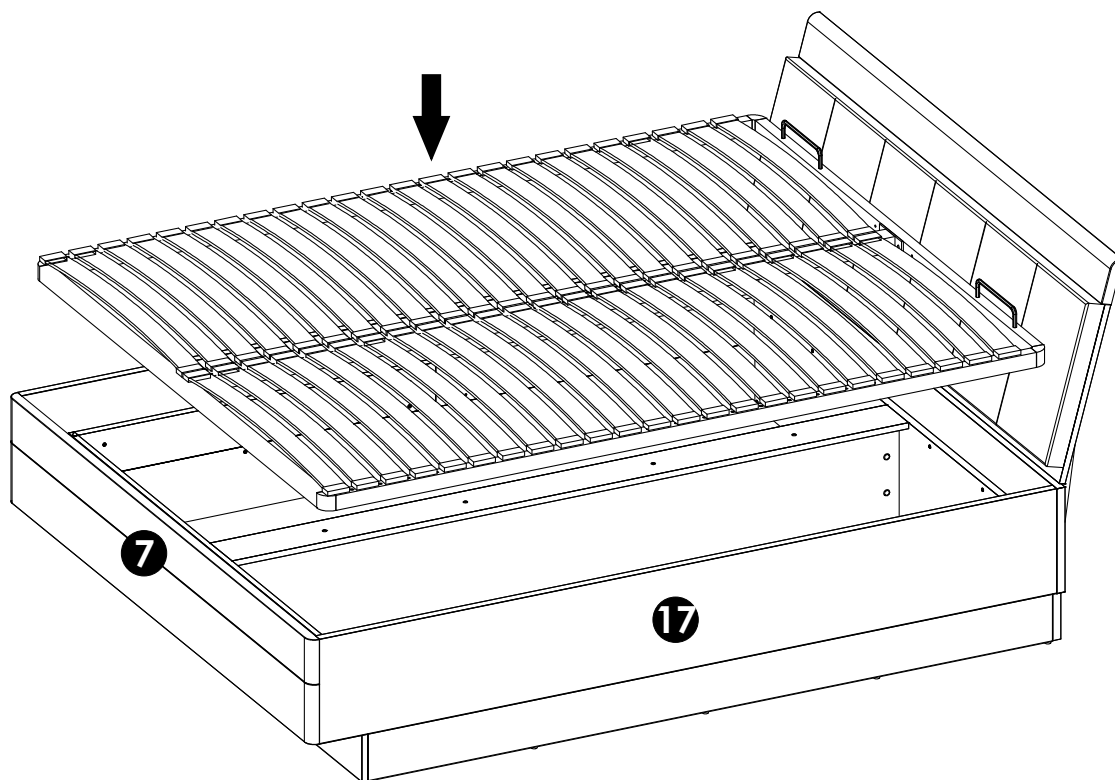
32 ▶



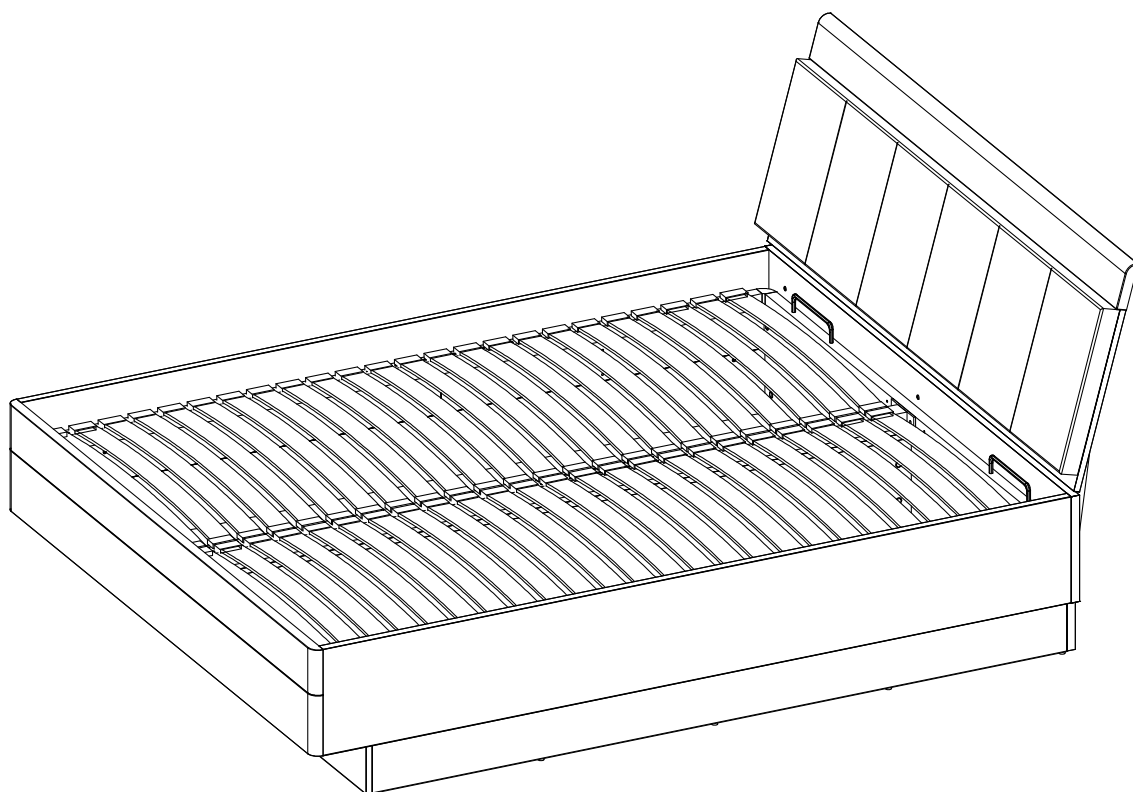
33 ▶

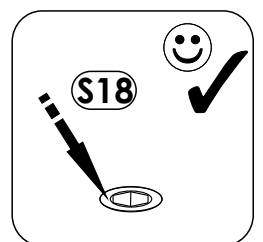
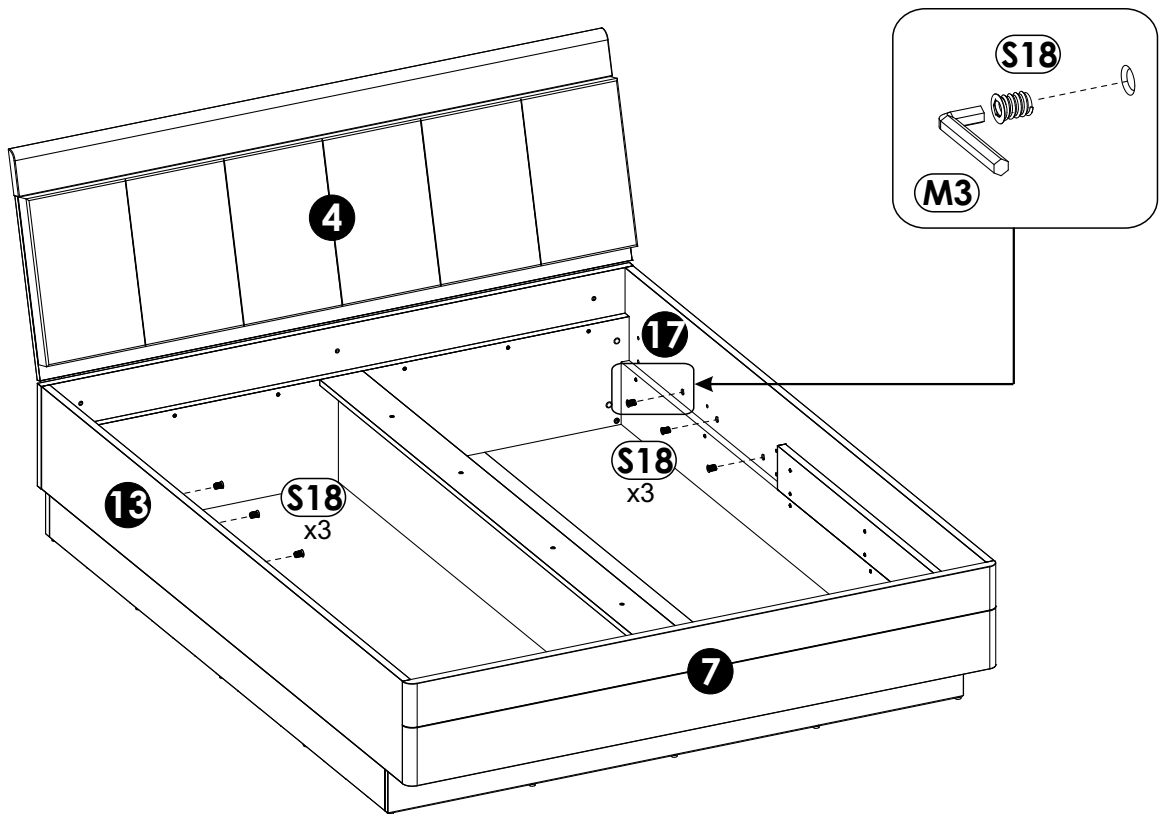
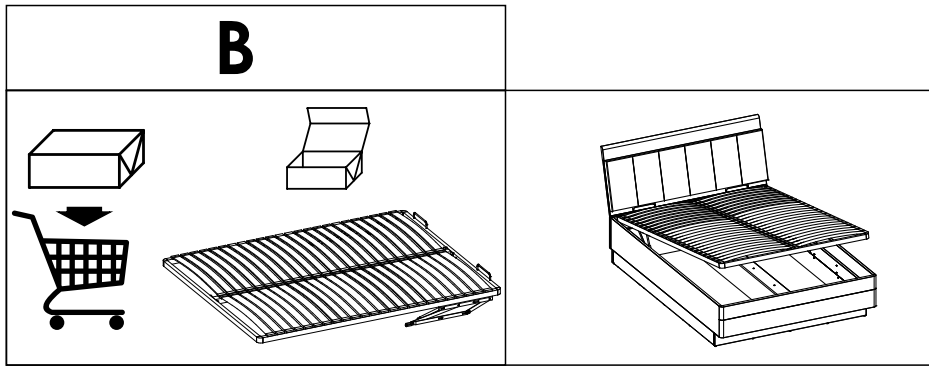


34 ▶

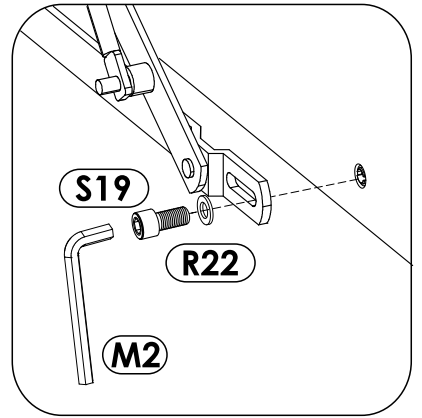
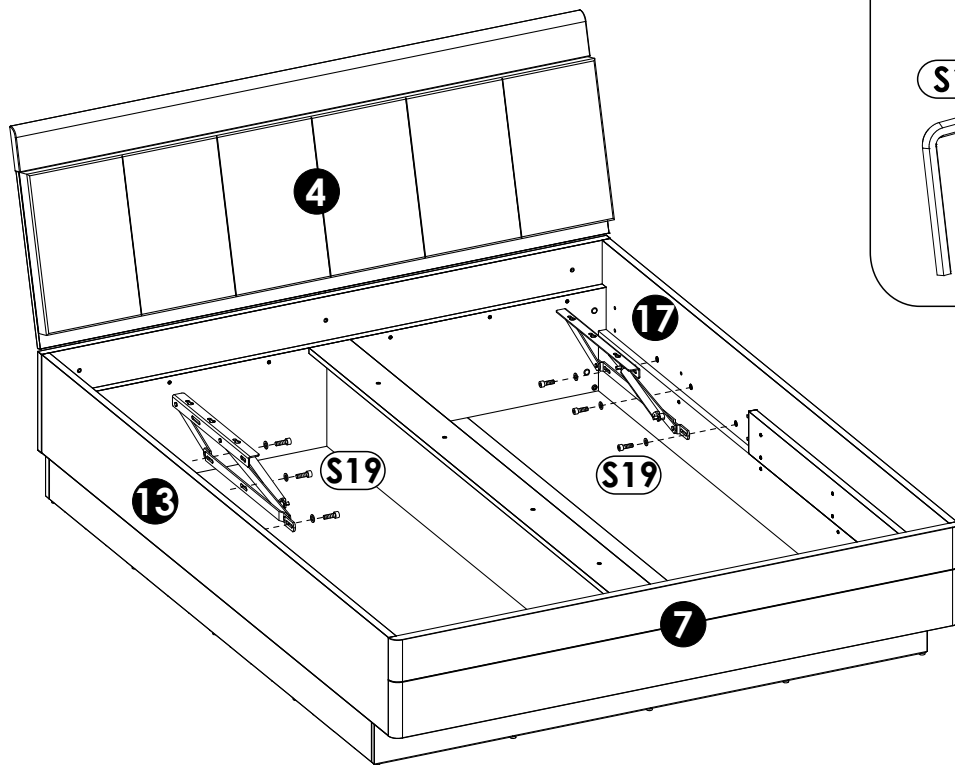


35 ▶

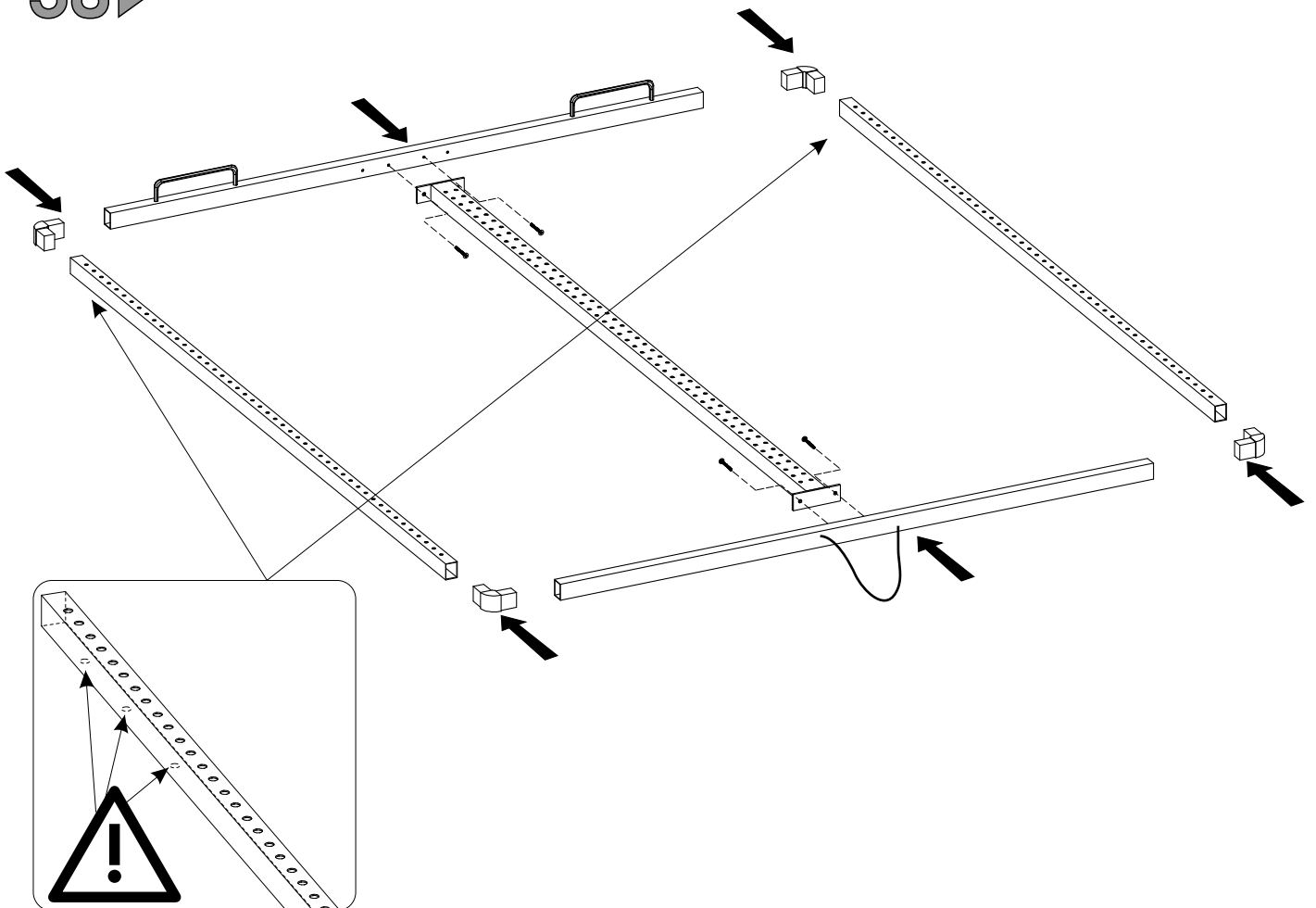




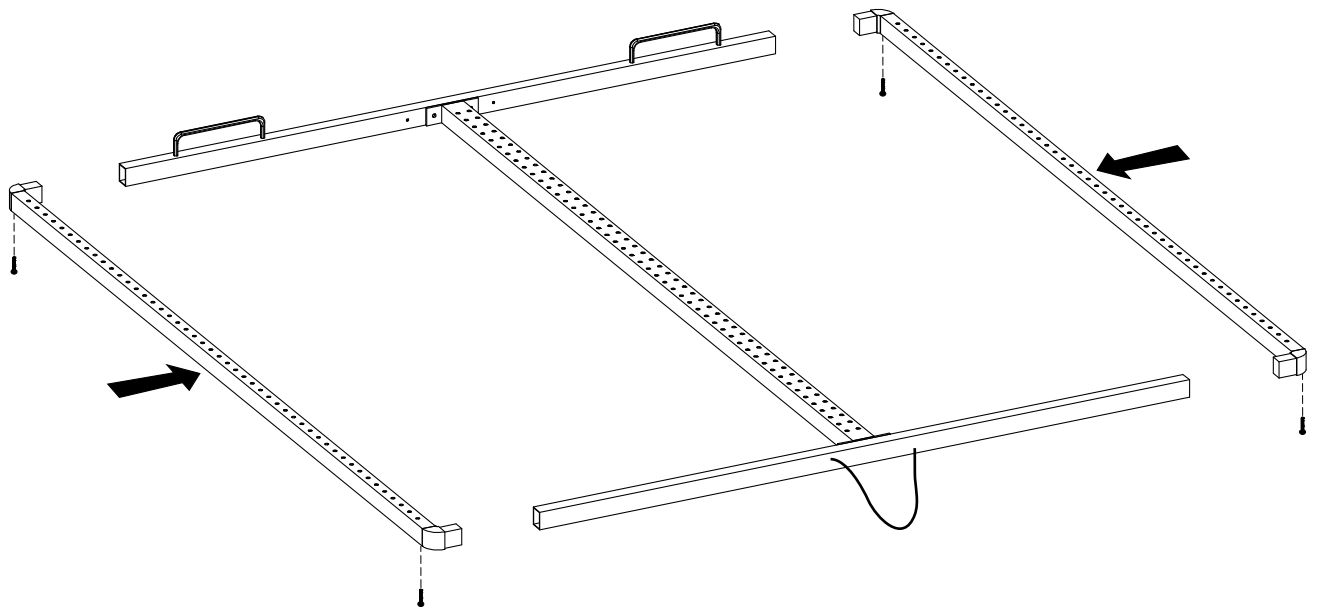
37 ▶



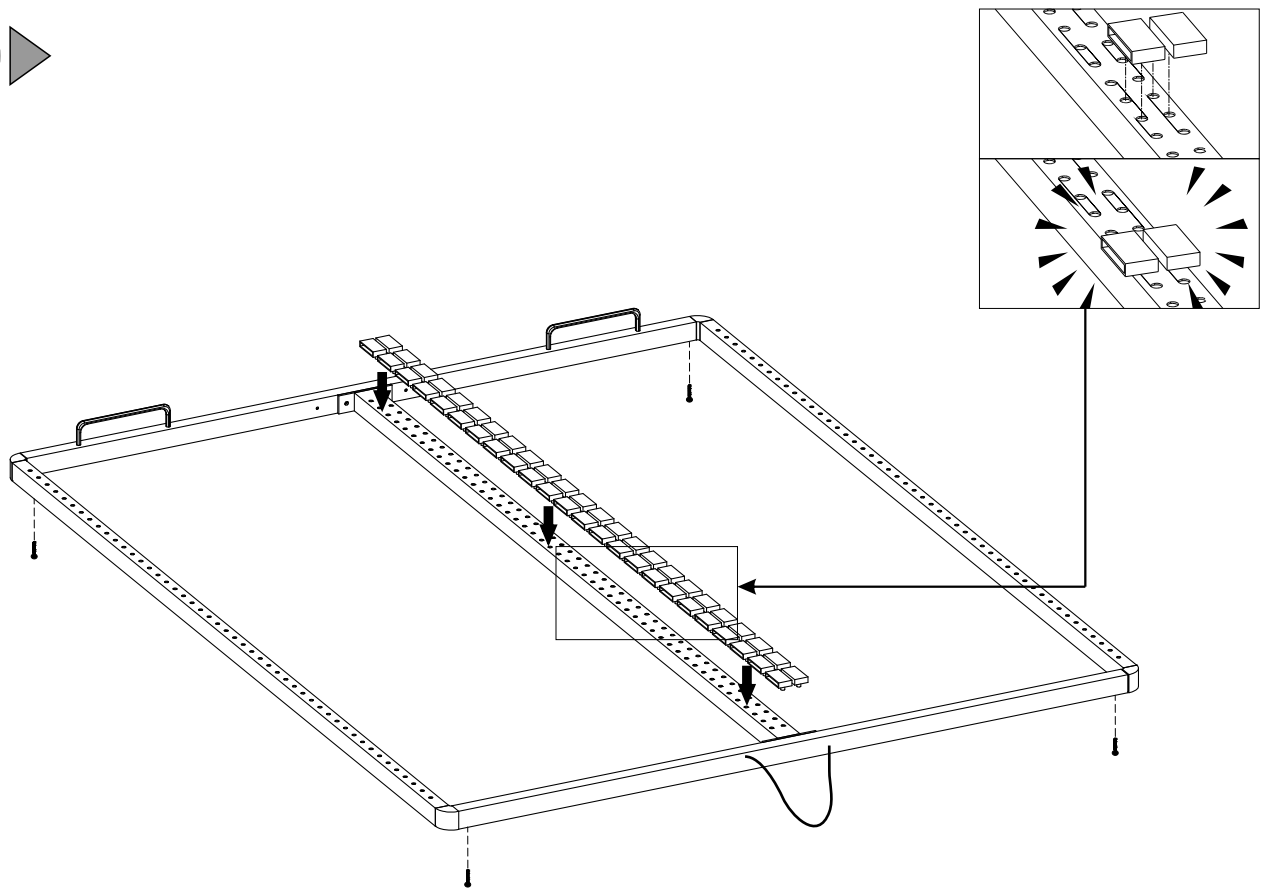
38 ▶



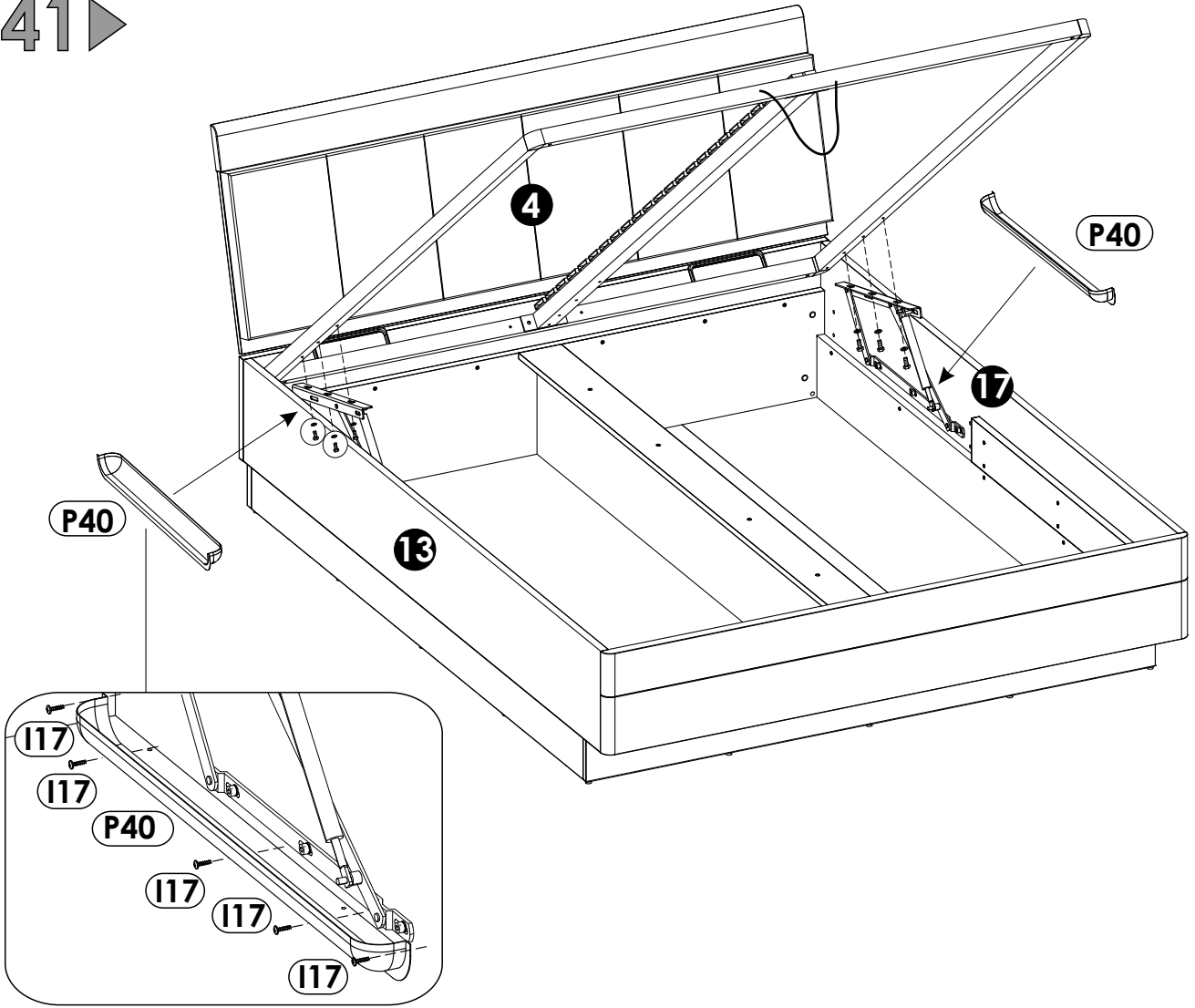
39 ▶



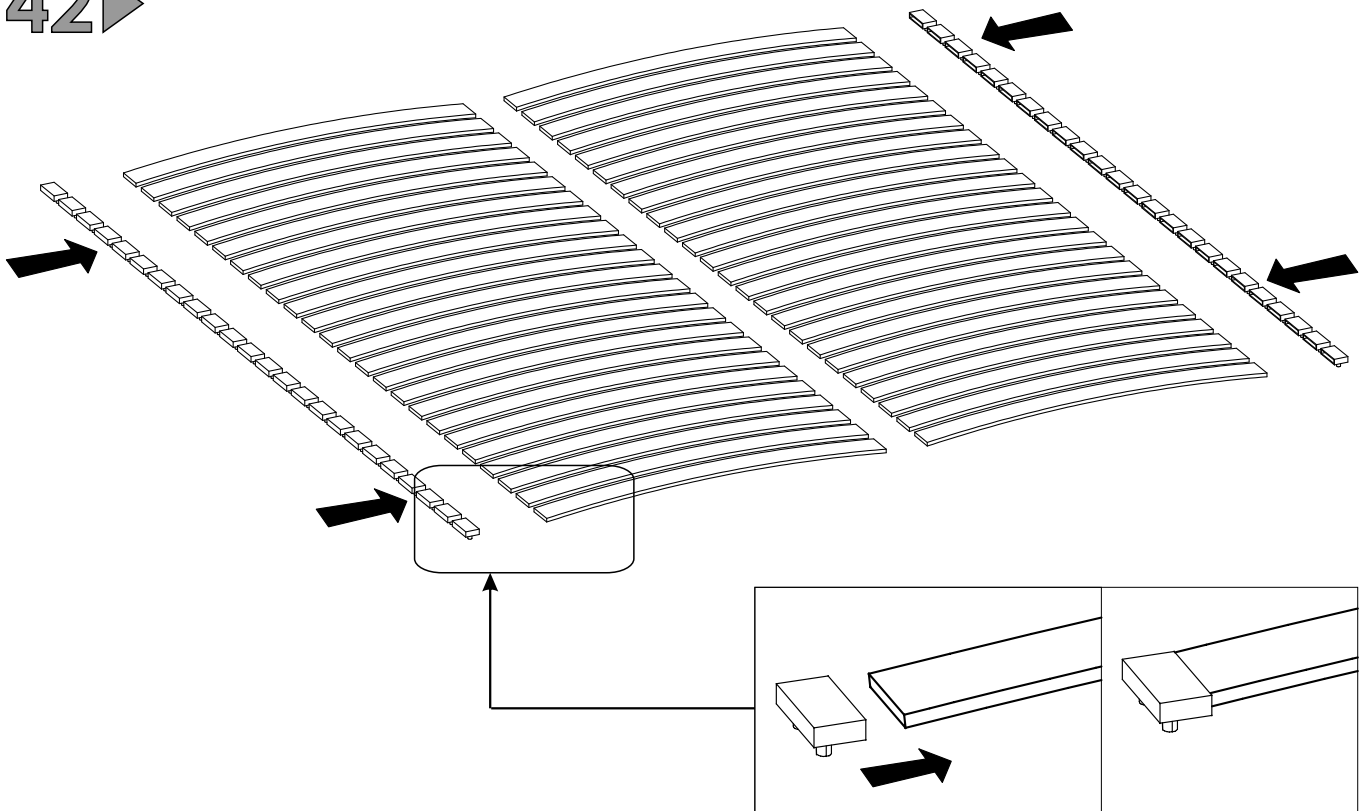
40 ▶



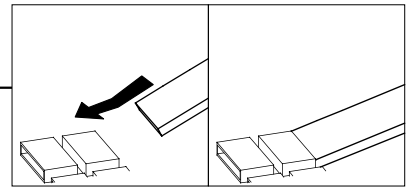
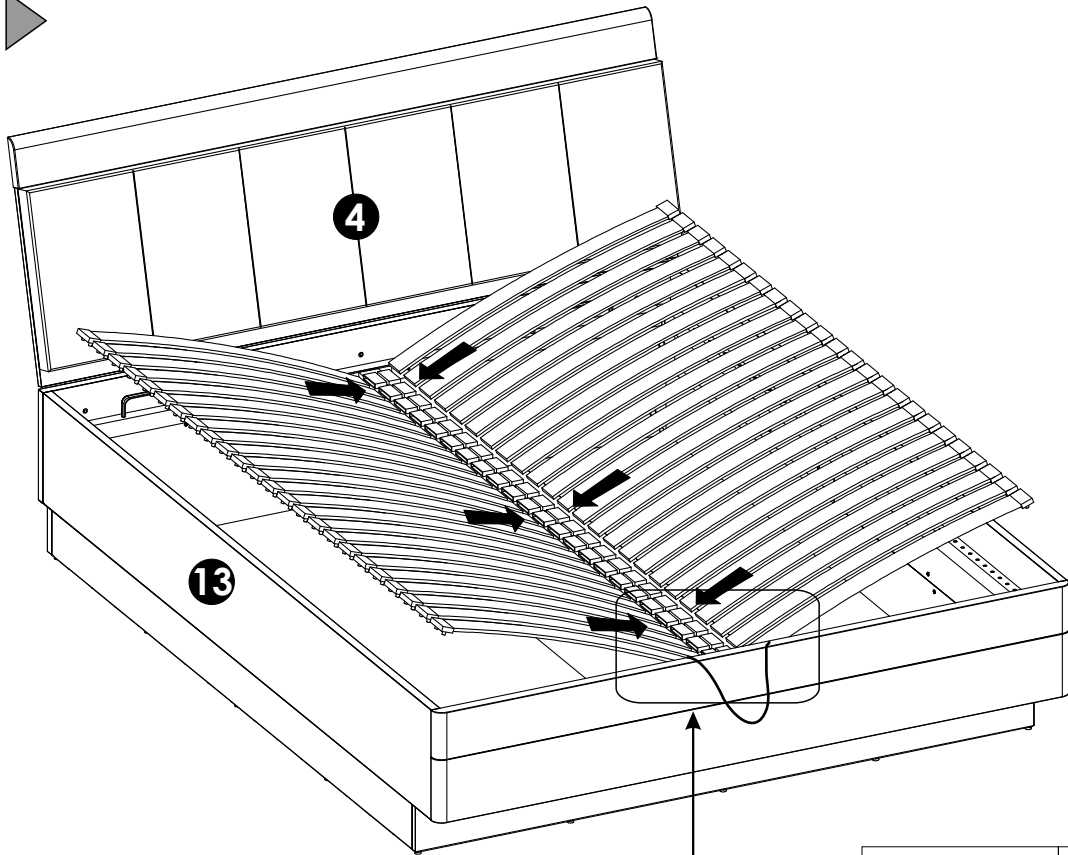
41 ▶



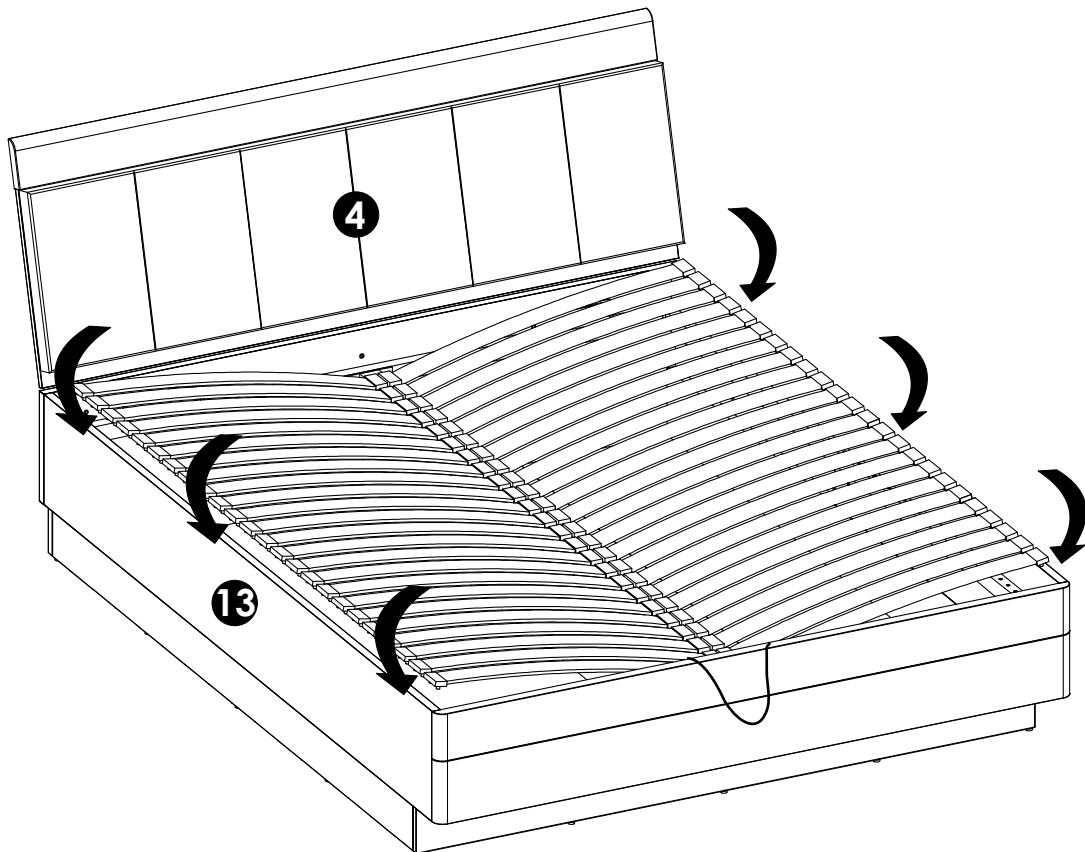
42 ▶

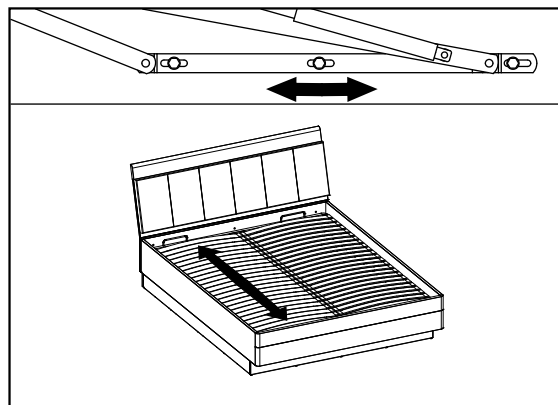
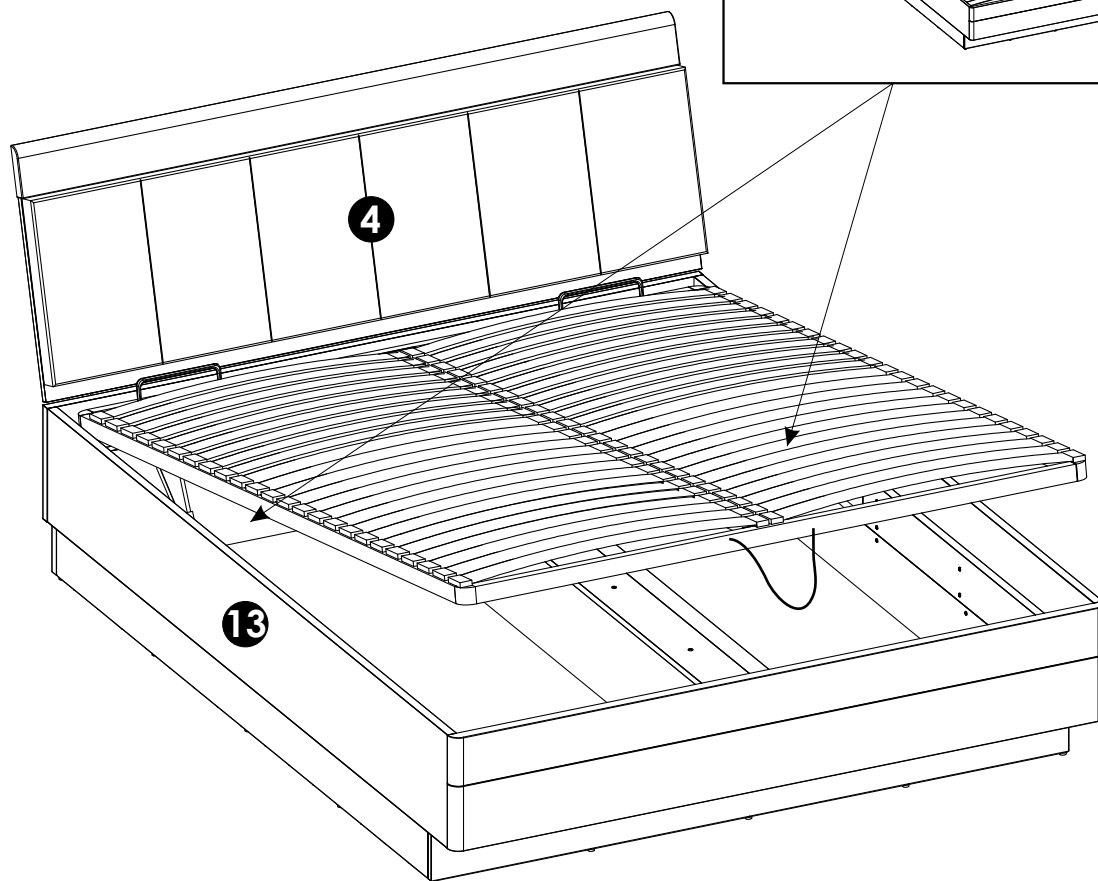


43 ▶



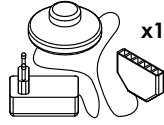
44 ▶



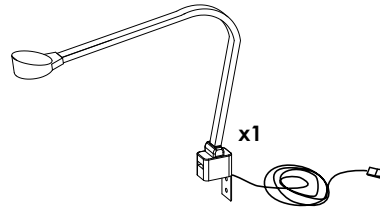


OPTION II

L11

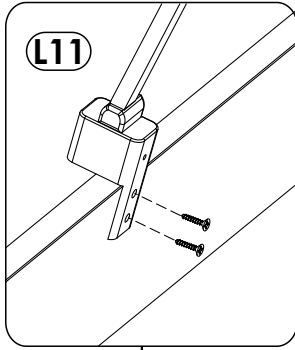


x1

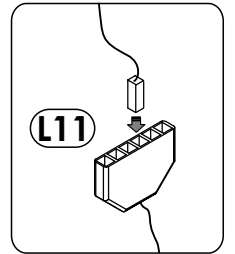
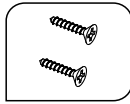


x1

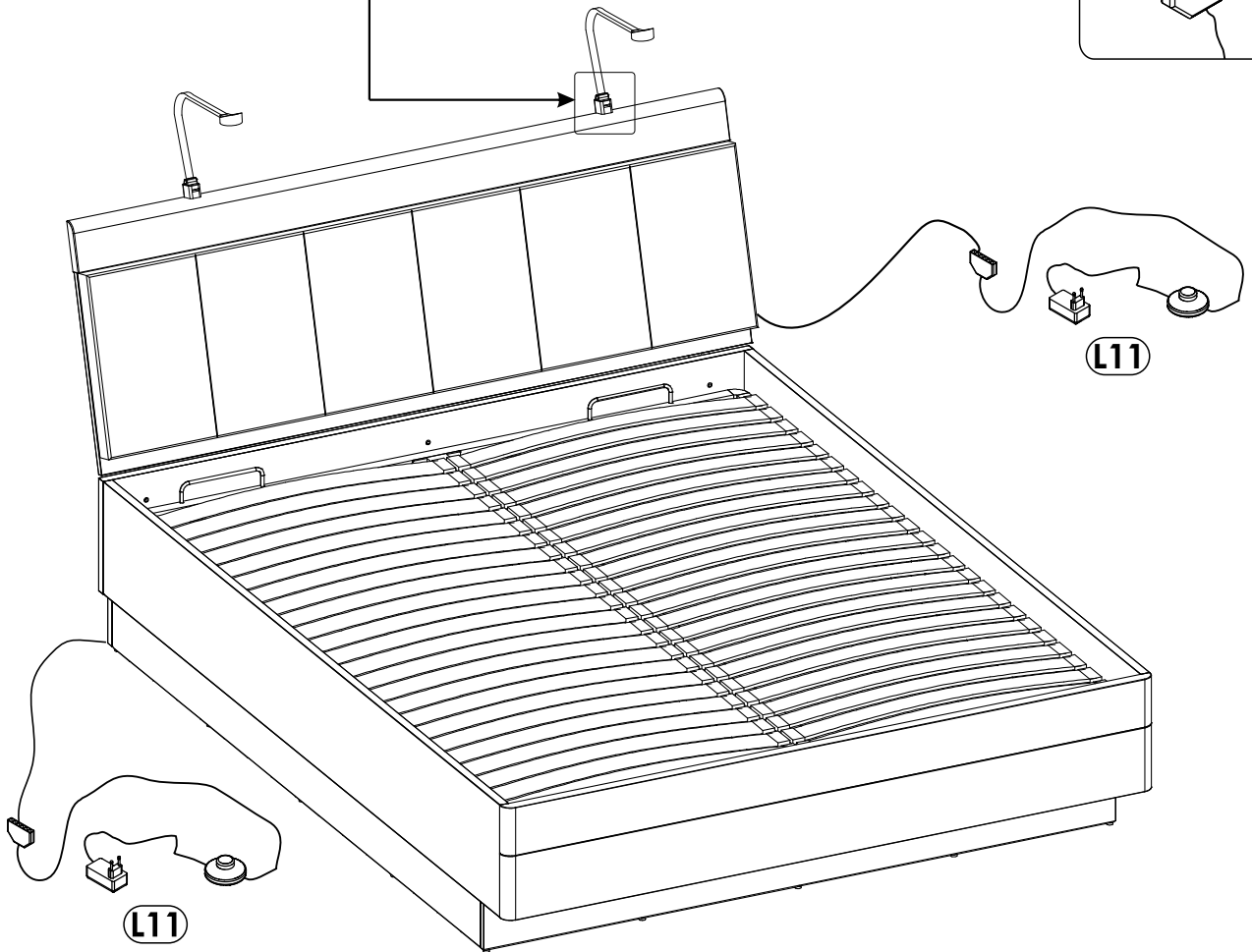
x2



L11



L11



L11

L11

