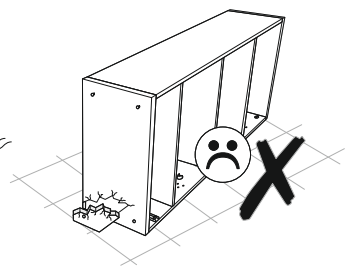
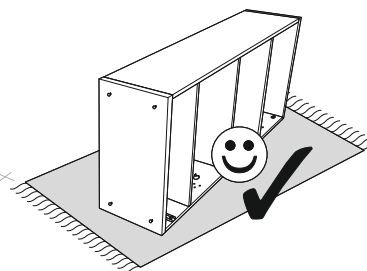
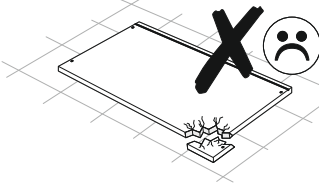
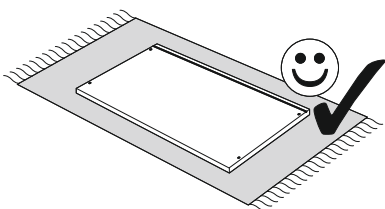
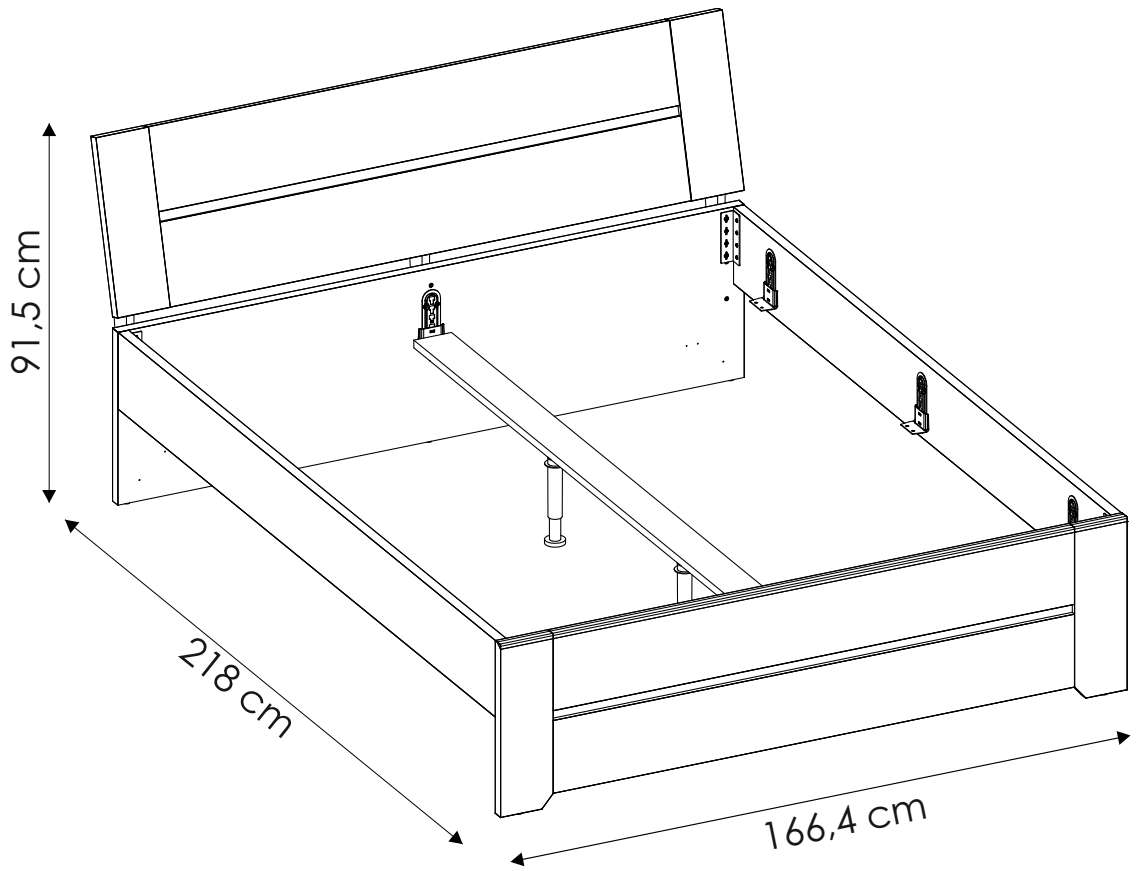
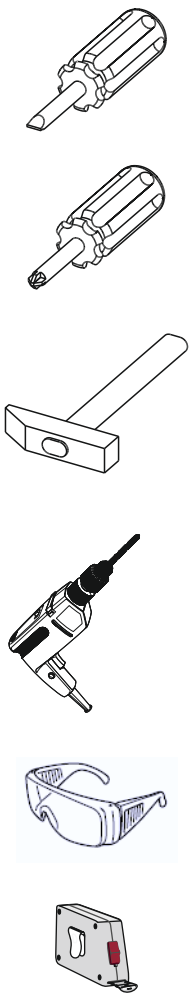
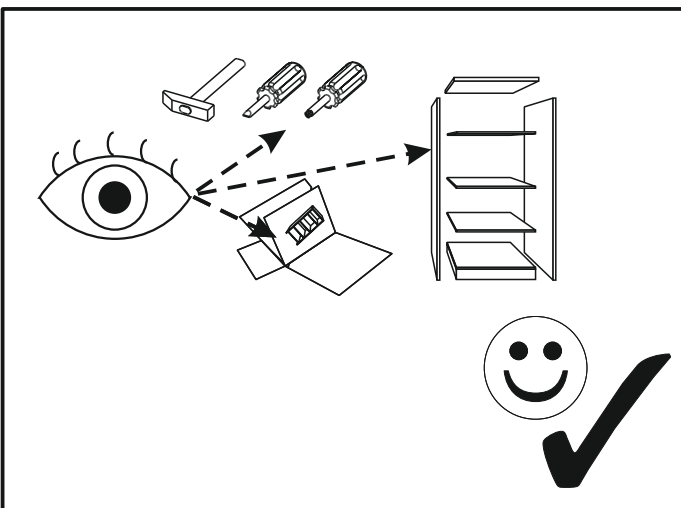
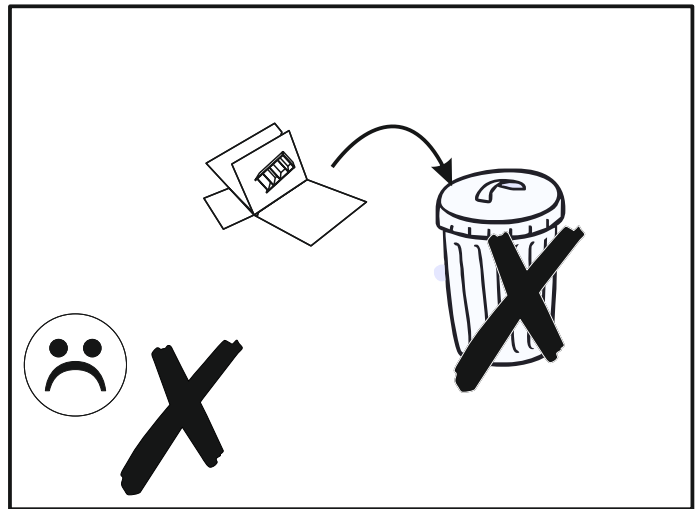
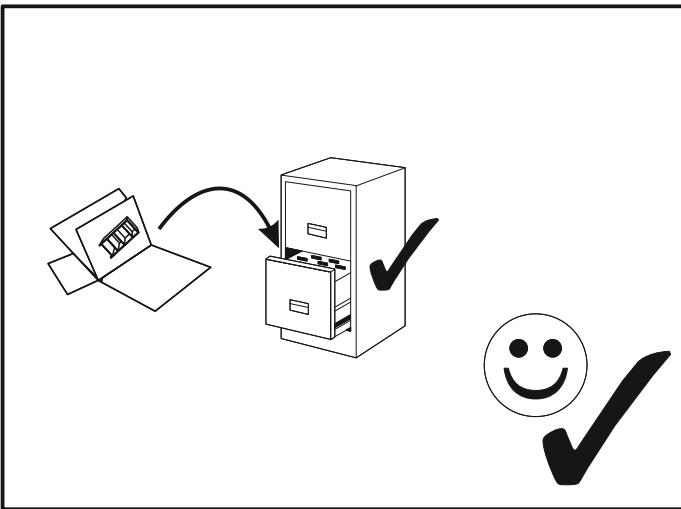
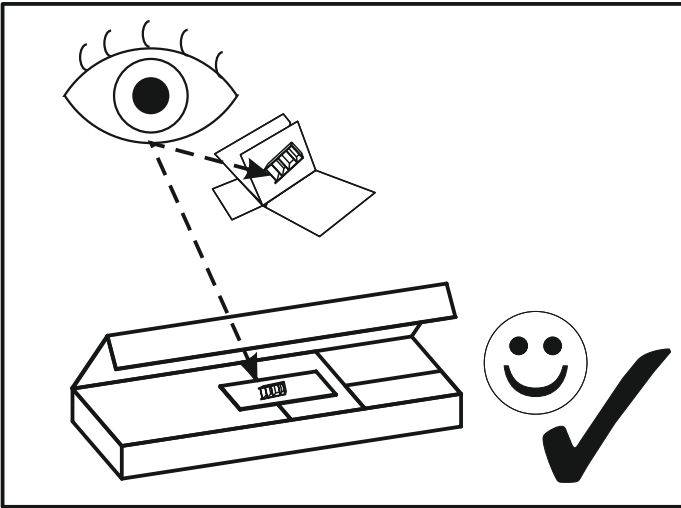
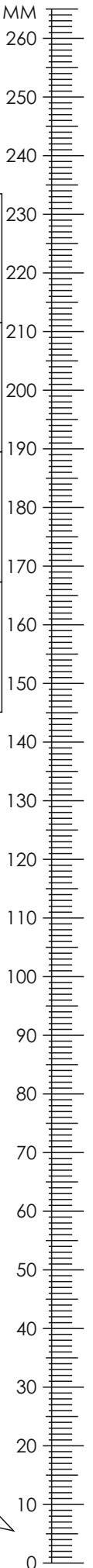


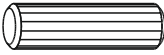


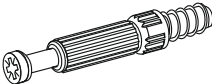


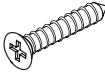
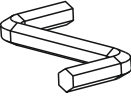

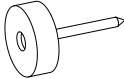
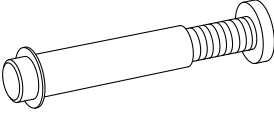
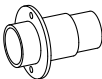
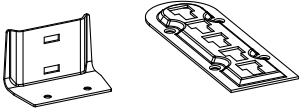
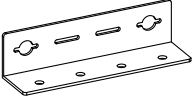
ANGEL 92

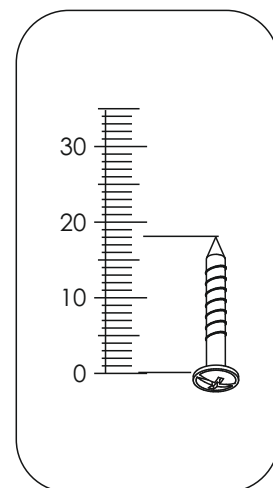




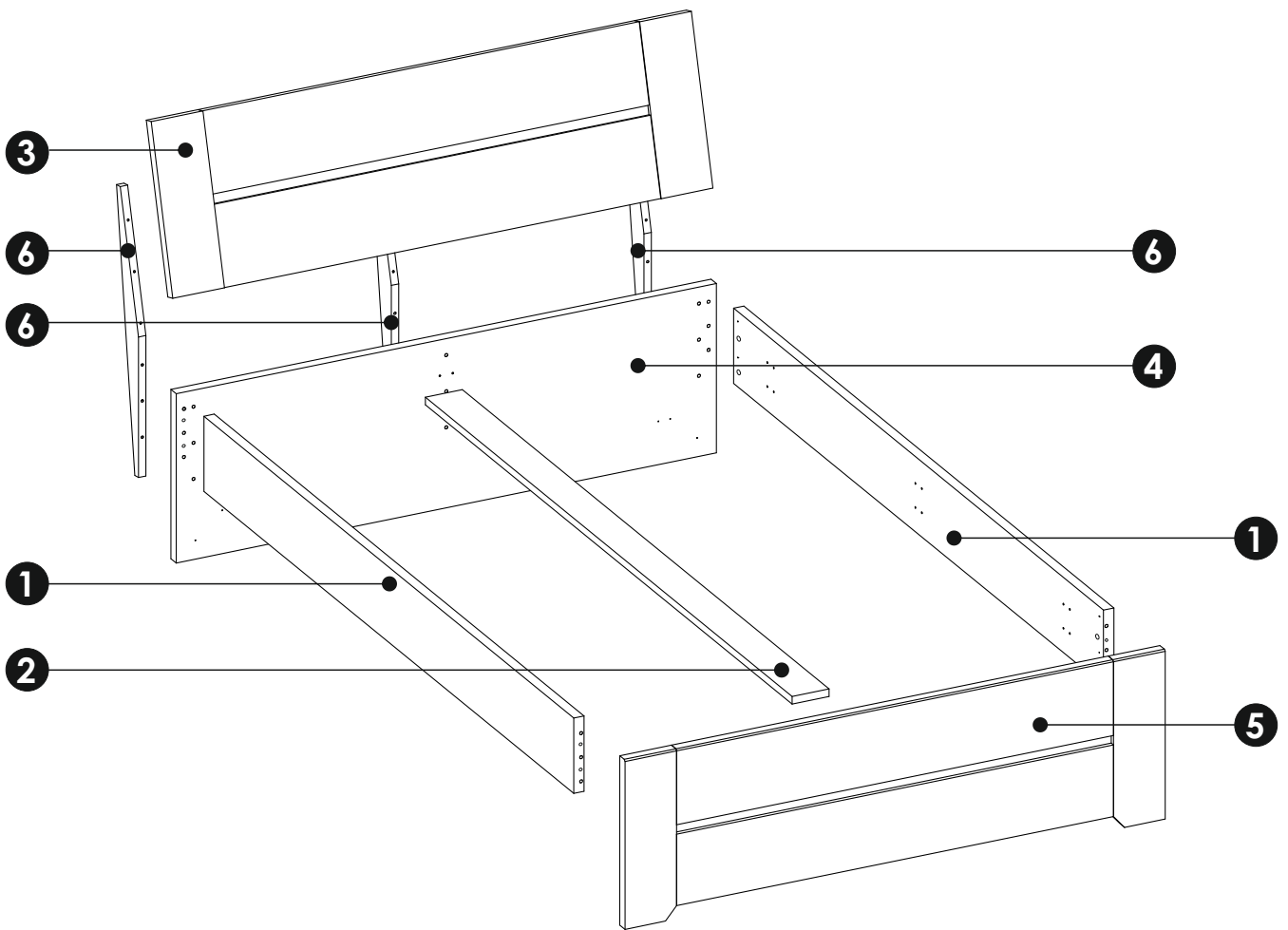
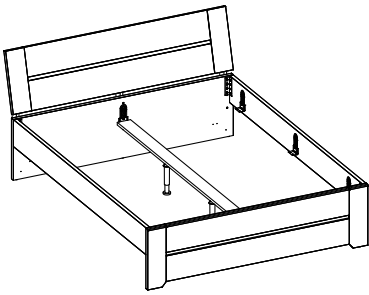
ANGEL 92



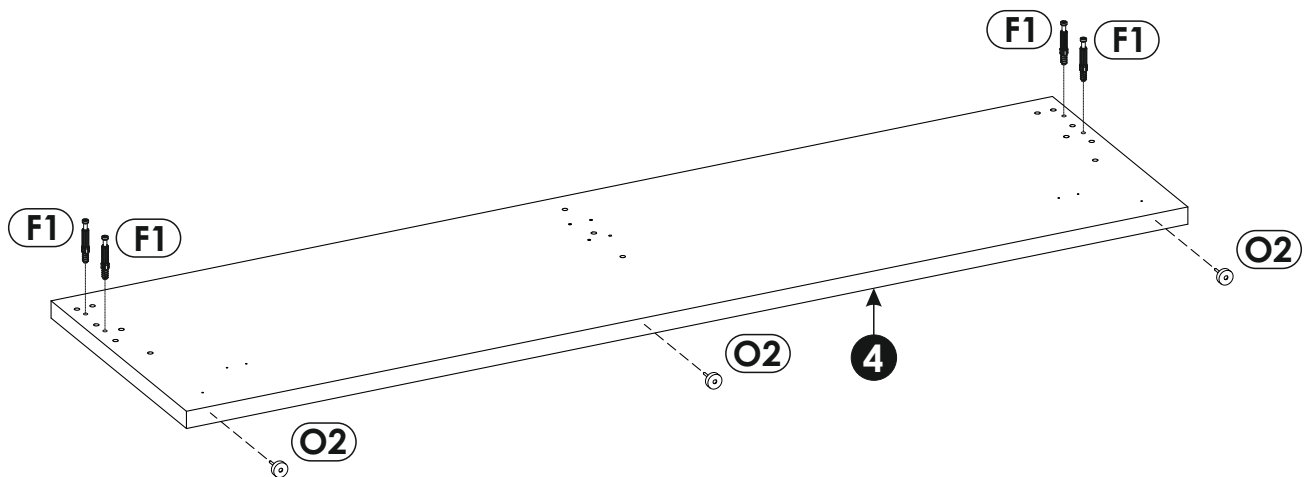
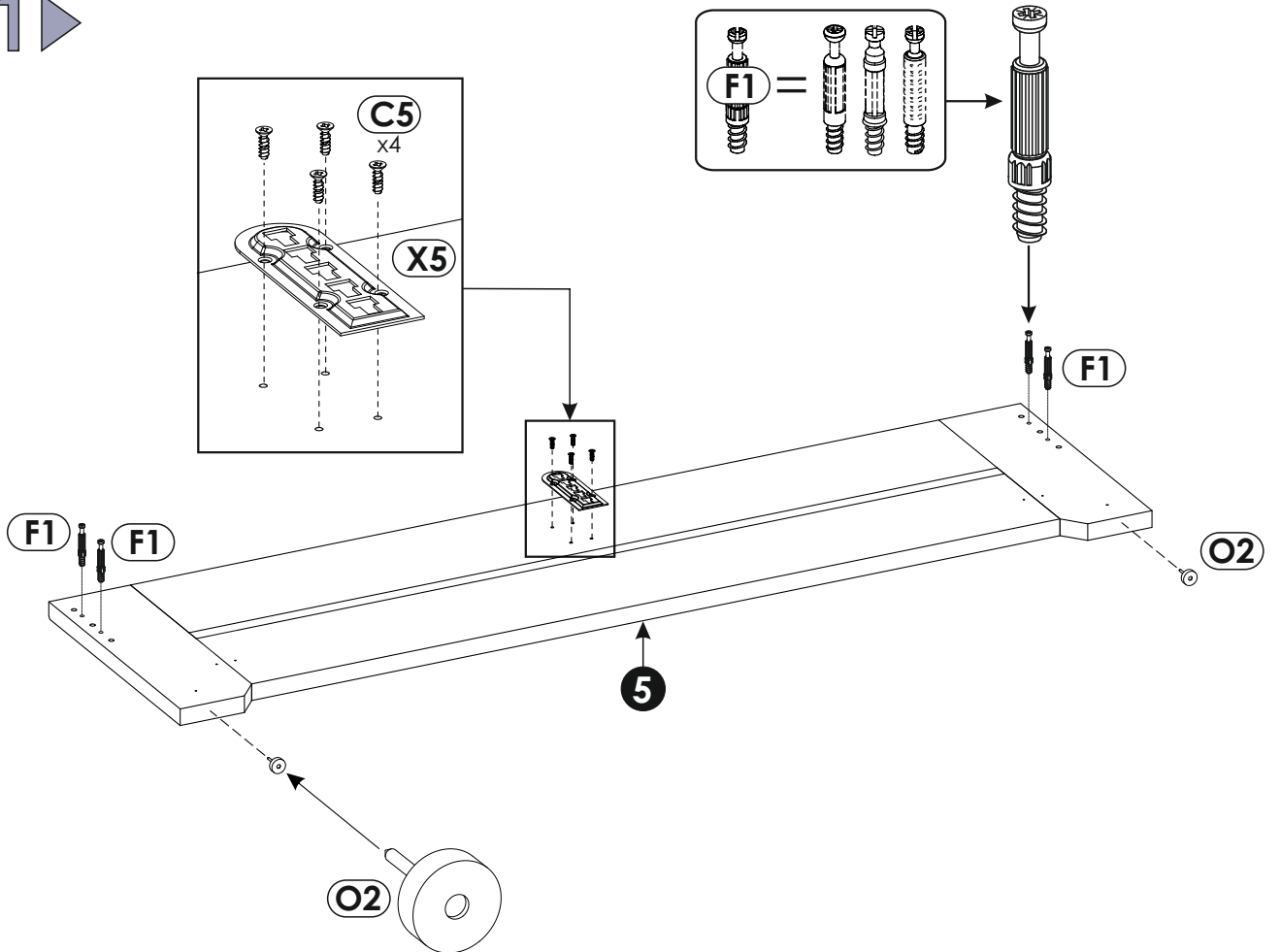
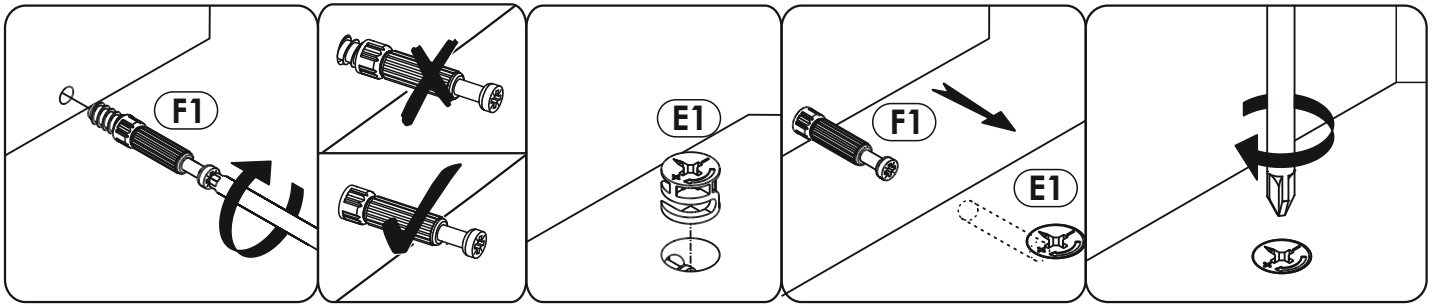
A1 $\varnothing 8 \times 35 \text{ mm}$ x12 	C5 $5 \times 16 \text{ mm}$ x32 	E1 $15 \times 12 \text{ mm}$ x8 
F1 $6 \times 34 \text{ mm}$ x8 	G1 $\varnothing 7 \times 50 \text{ mm}$ x9 	I8 $4 \times 20 \text{ mm}$ x36 
J6 $4 \times 35 \text{ mm}$ x9 	M  x1	N2 $3,5 \times 16 \text{ mm}$ x16 
O2  x5	O20  x2	O21  x2
X5  x8	X6  x4	



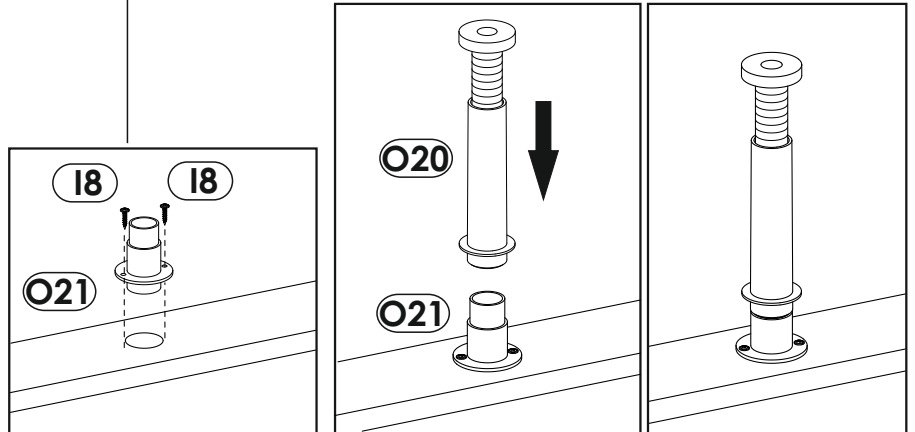
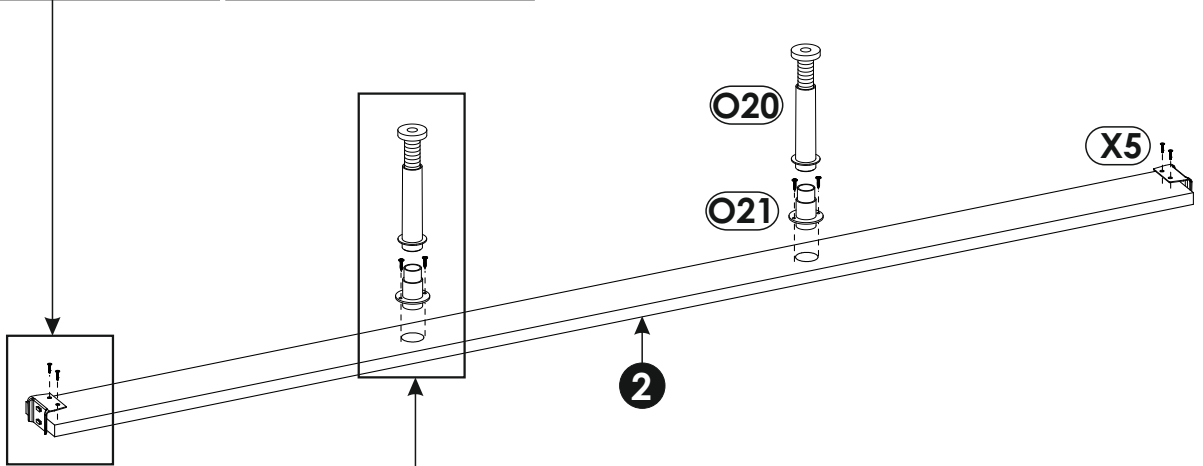
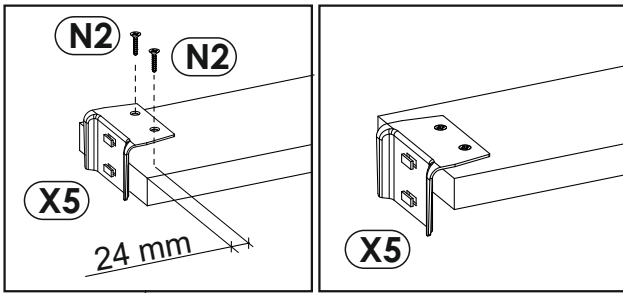
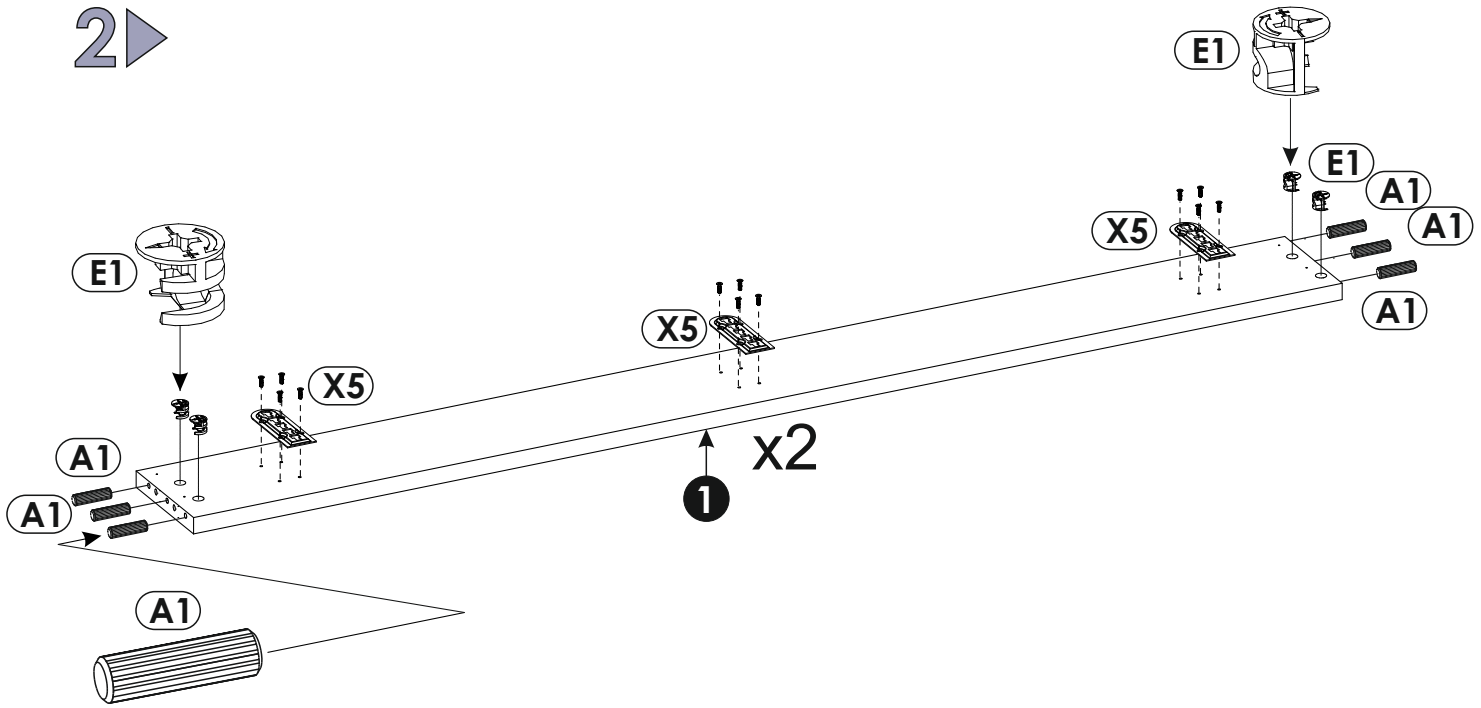
ANGEL 92



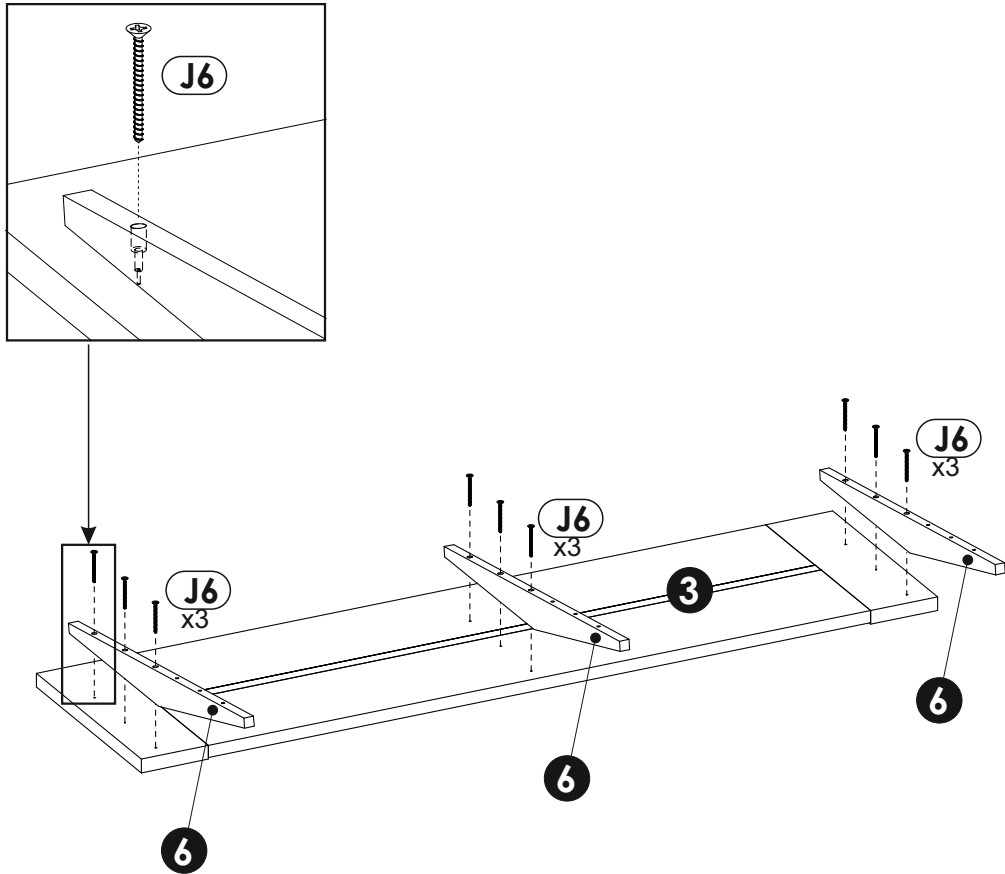
1	2005	200	28	x2	1/3
2	1988	100	20	x1	1/3
3	1664	439	28	x1	2/3
4	1664	450	28	x1	3/3
5	1664	450	28	x1	2/3
6	740	70	20	x3	1/3



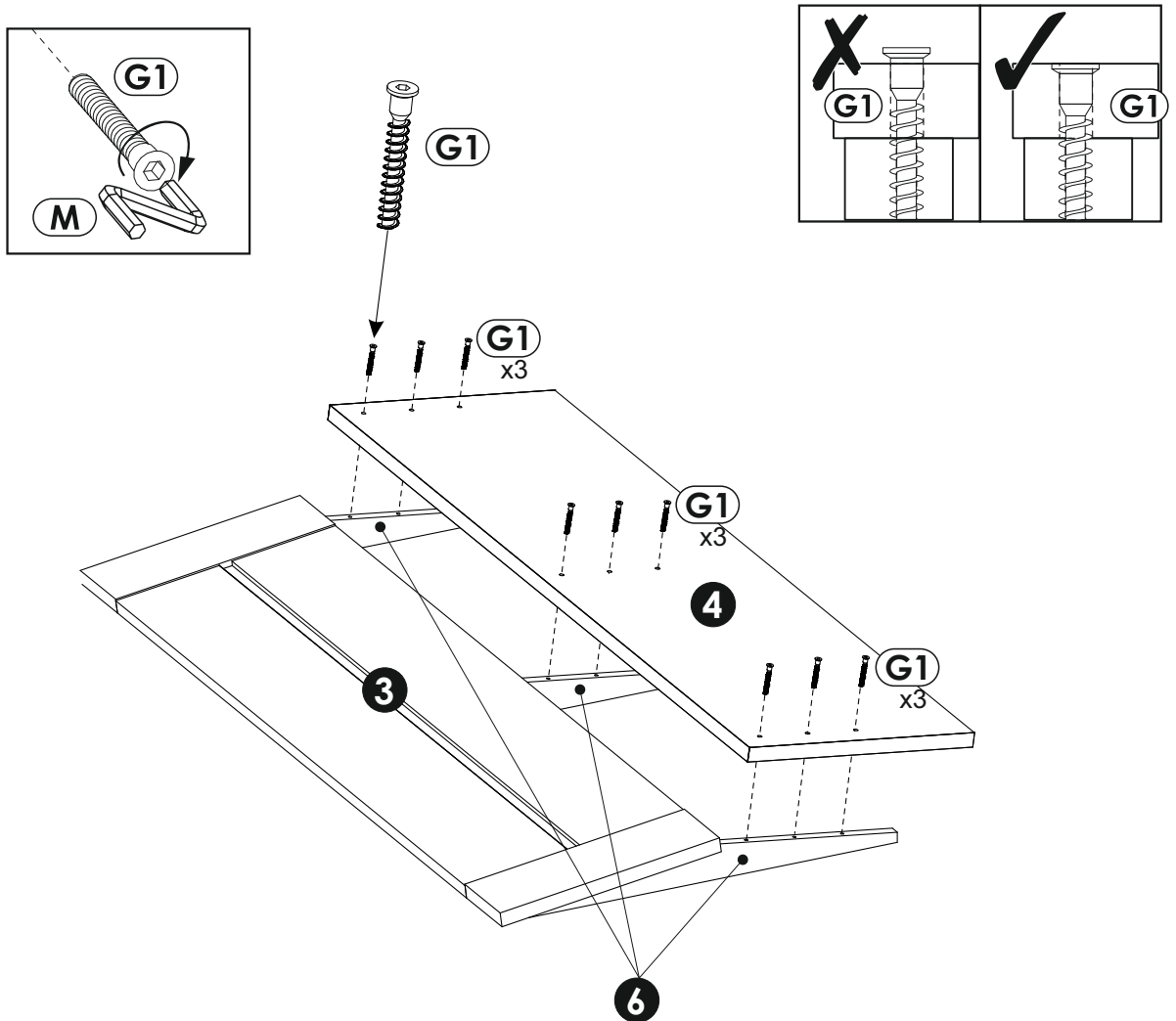
2



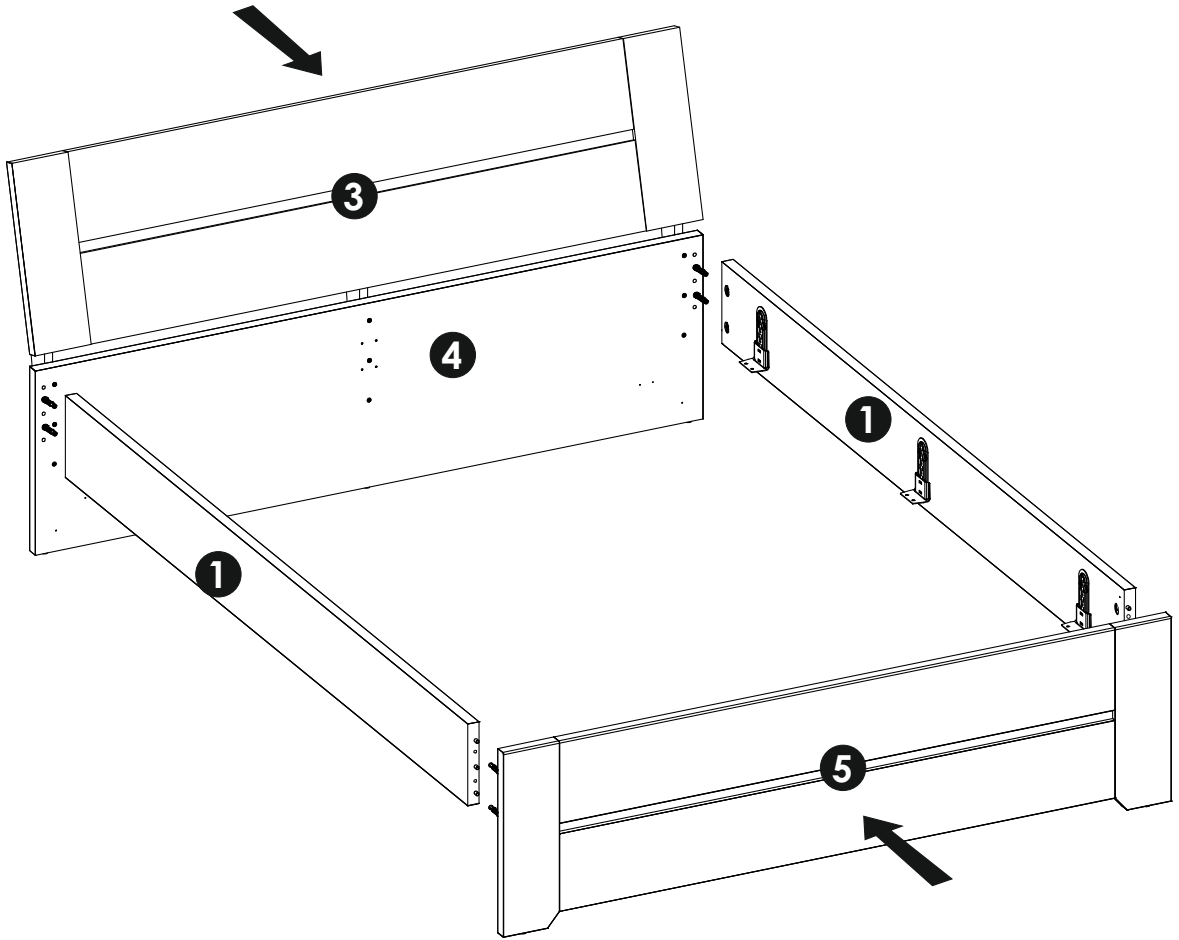
3 ▶



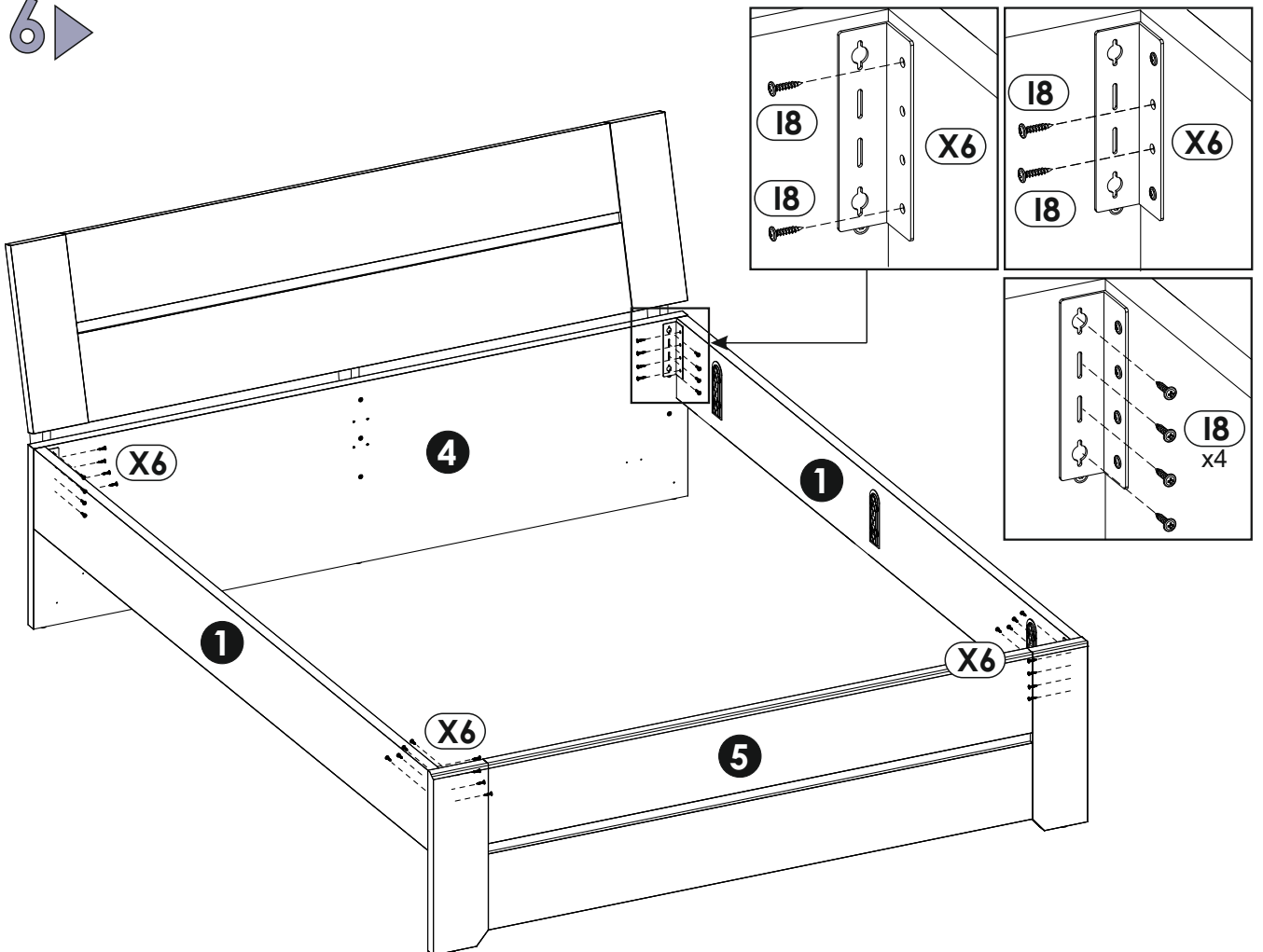
4 ▶



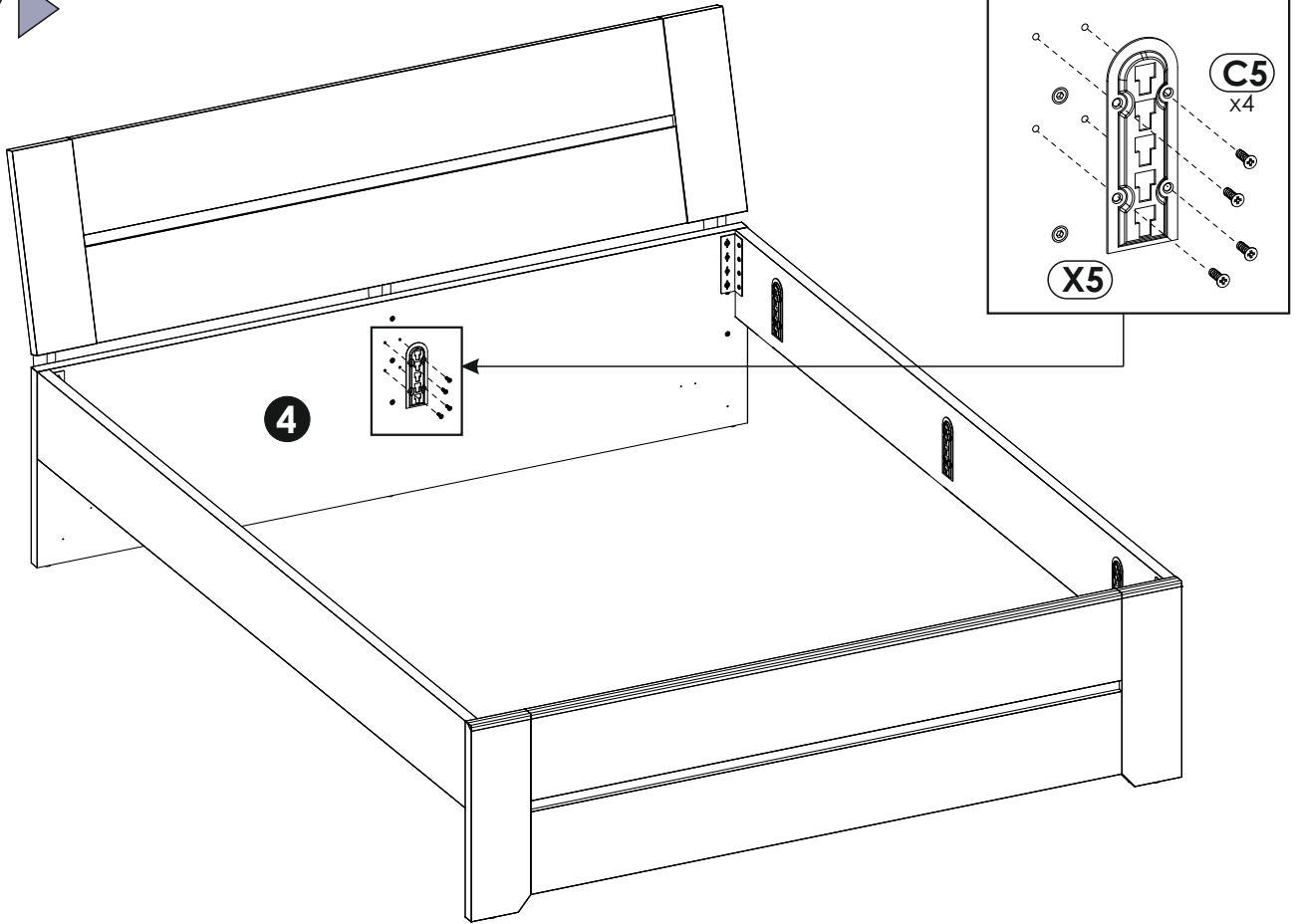
5 ▶



6 ▶



7 ▶



8 ▶

