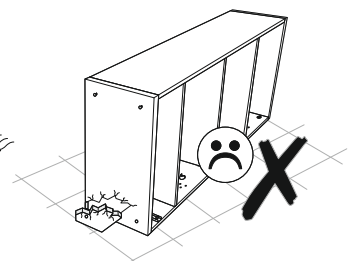
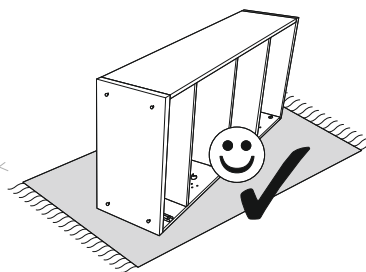
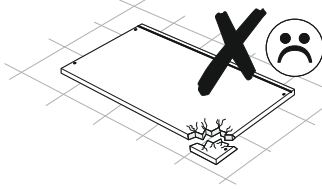
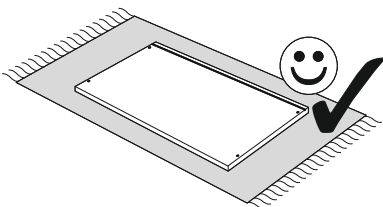
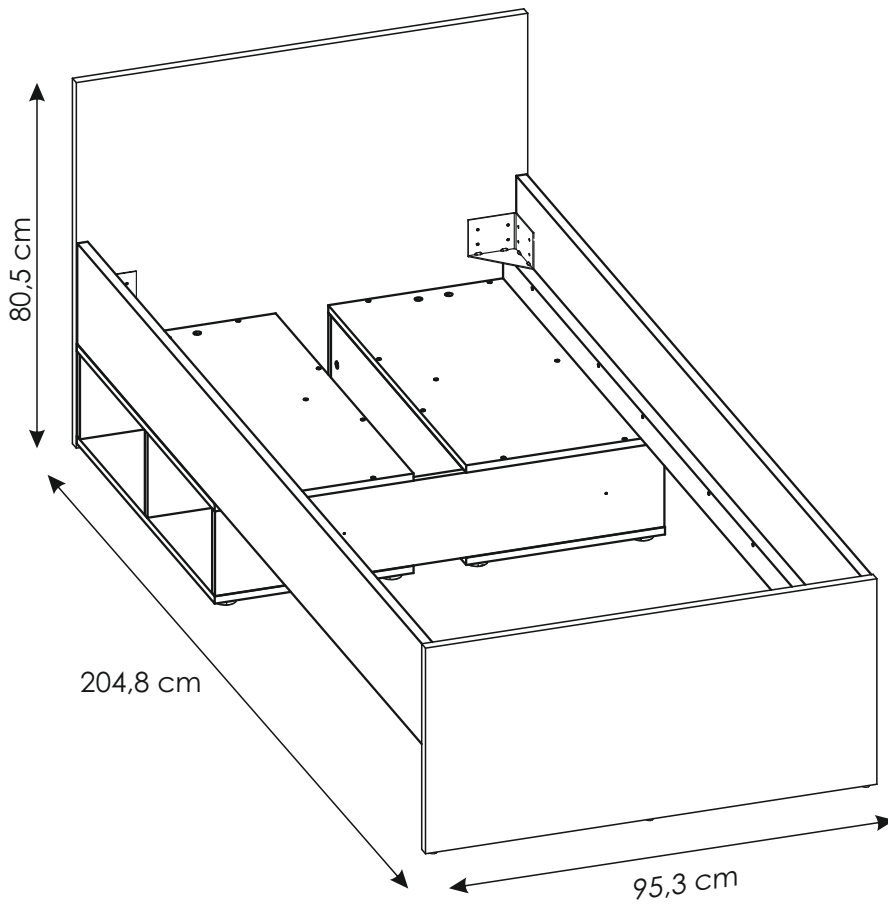
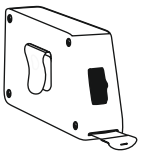
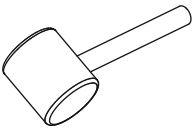
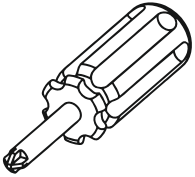
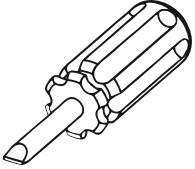
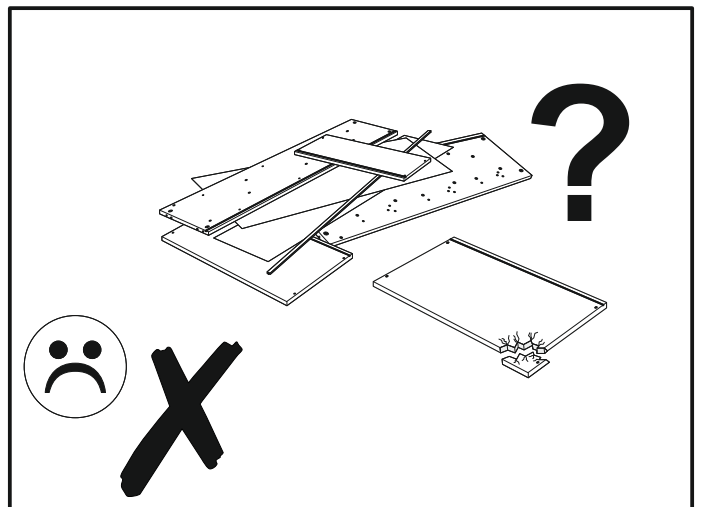
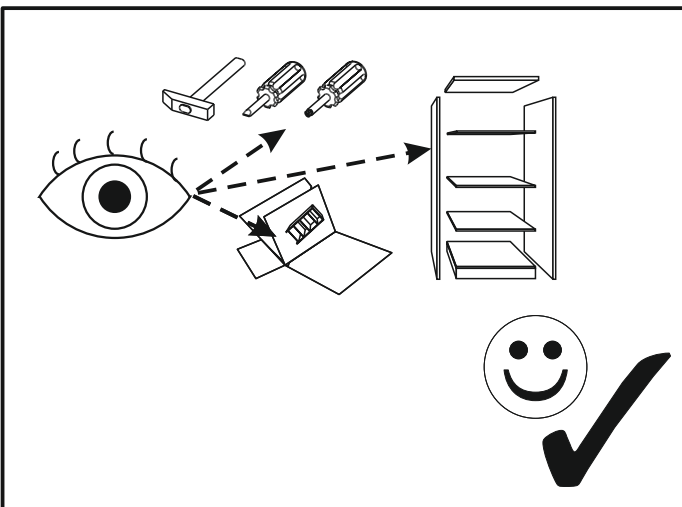
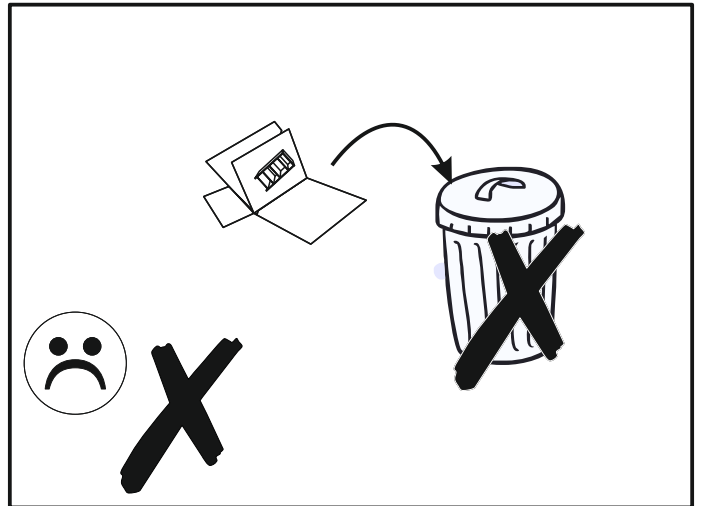
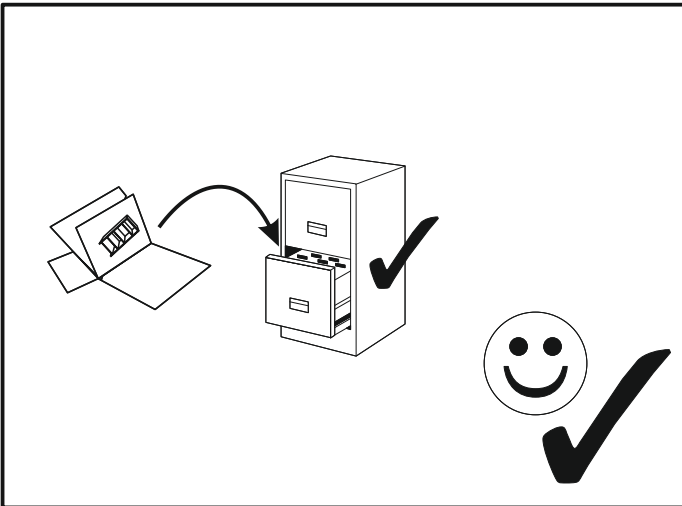
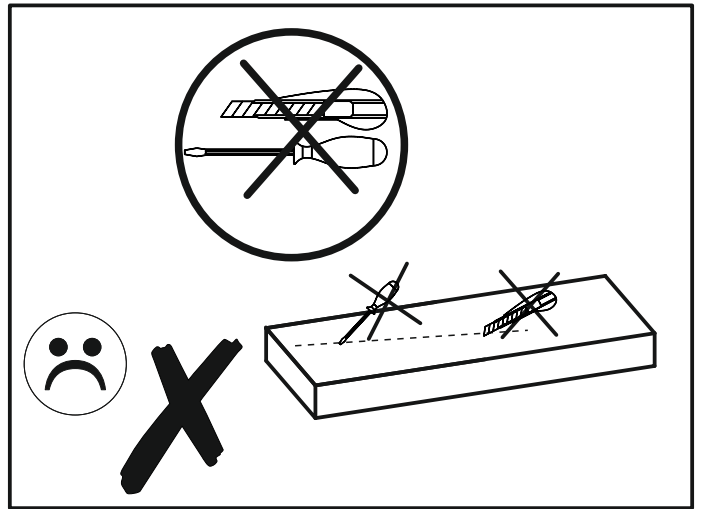
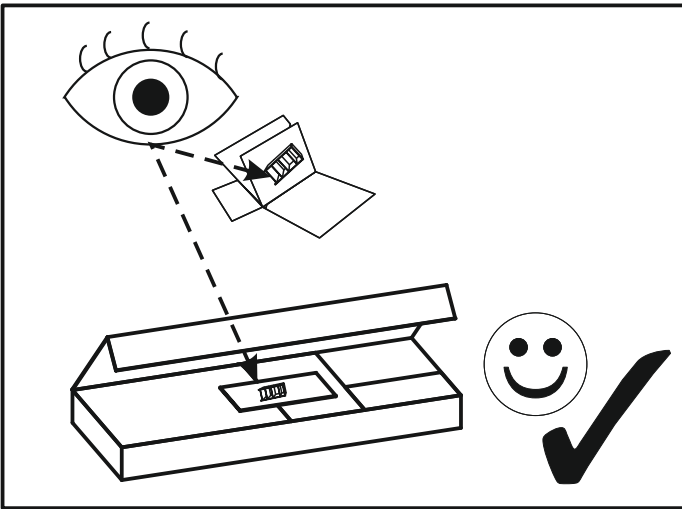


NUBZ04

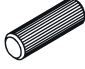


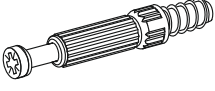



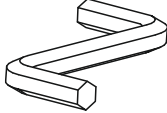
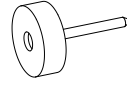
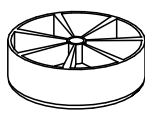
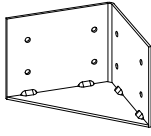


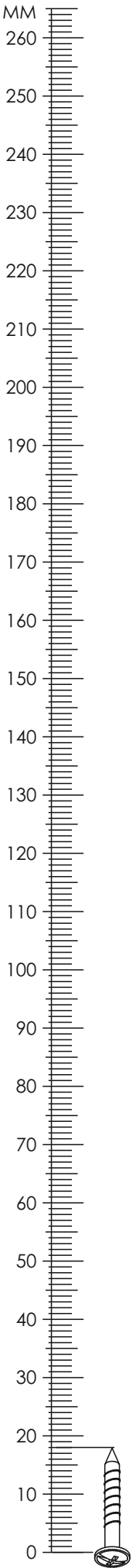
70 min



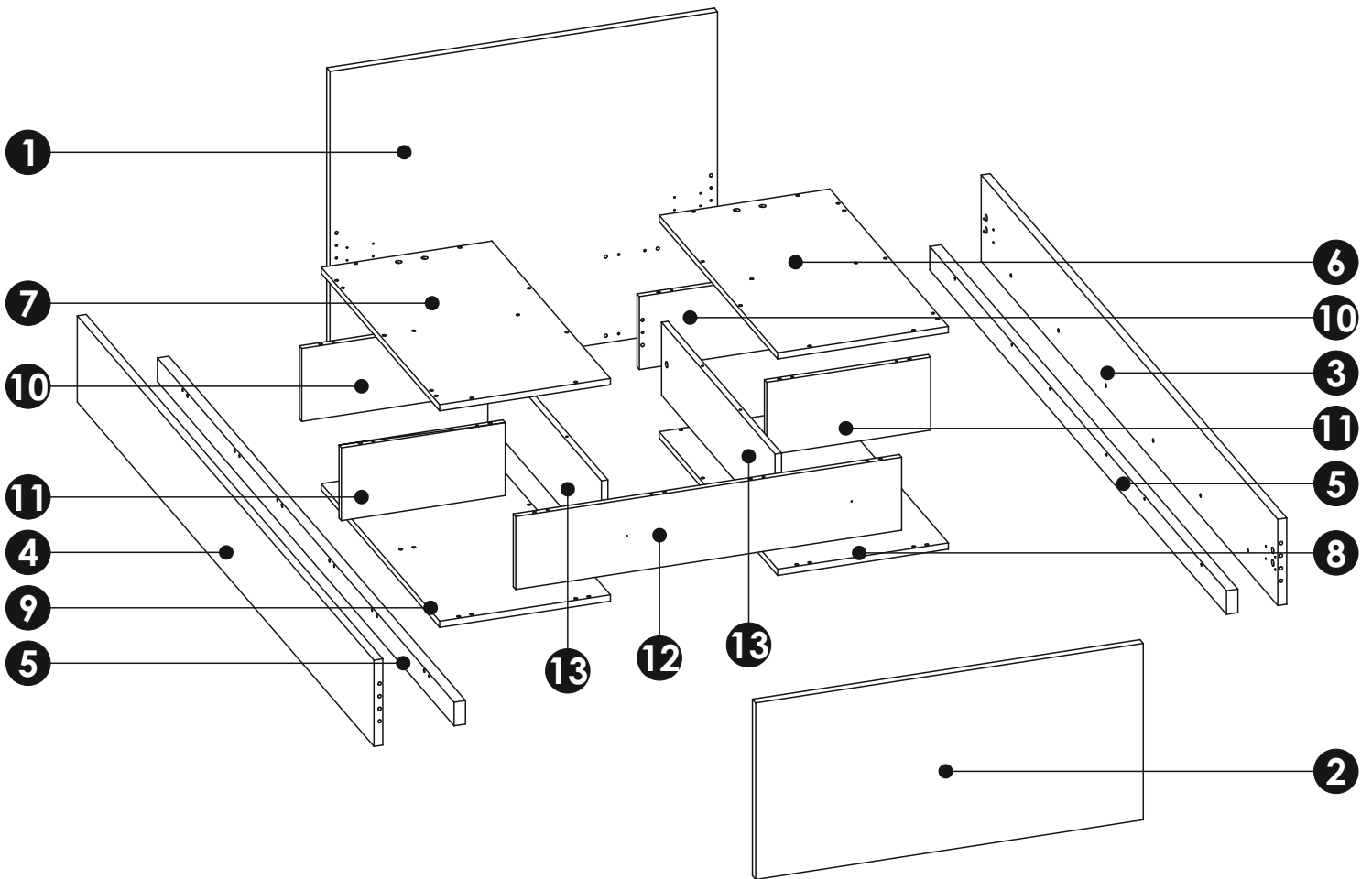
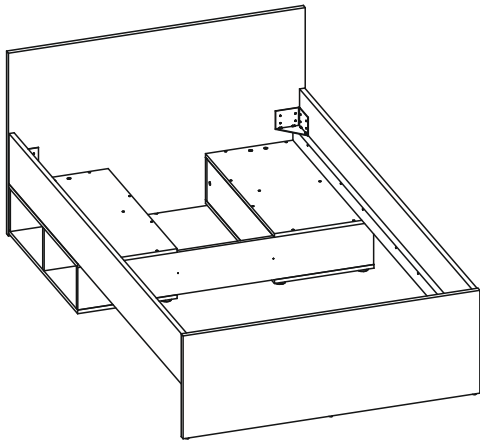


NUBZ04

A1 8 x 35 mm x66 	C2 5 x 13 mm x32 	E1 15 x 12 mm x20 
F1 6 x 34 mm x20 	G1 7 x 50 mm x36 	I10 3,5 x 22 mm x6 
J11 4 x 45mm x12 	M x1 	O2 x6 
O3 Ø45 x6 	X5 x4 	



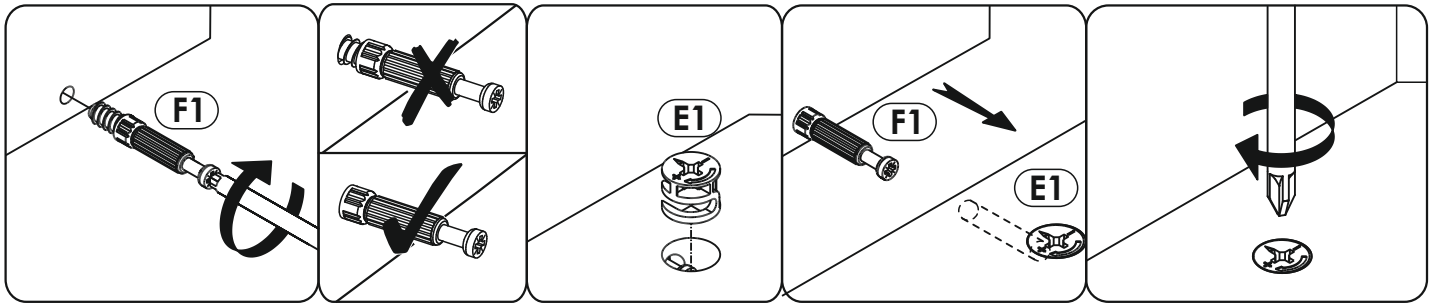
NUBZ04



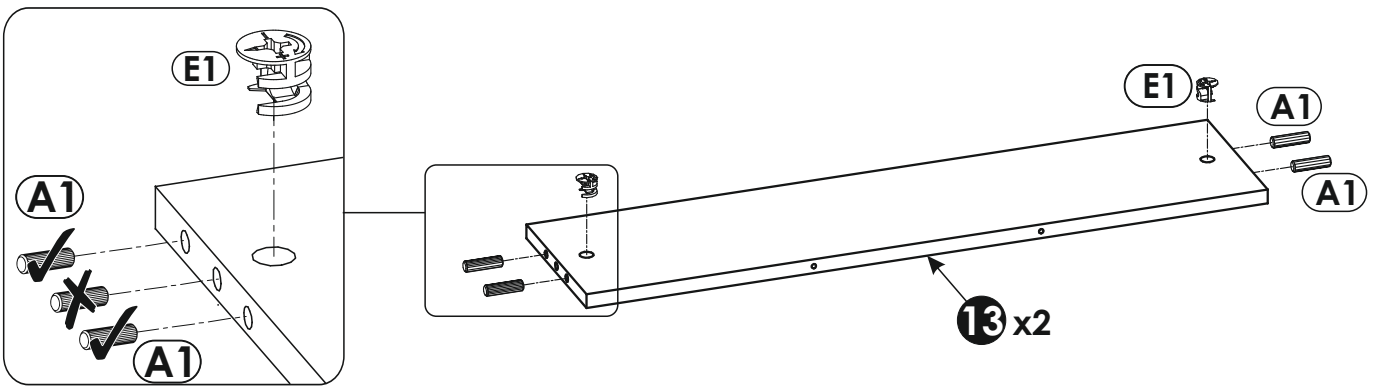
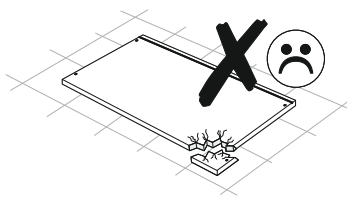
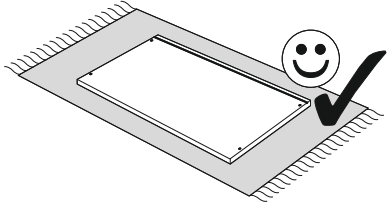
1	953	800	22	x1	3/3
2	953	450	22	x1	3/3
3	2004	220	22	x1	2/3
4	2004	220	22	x1	2/3
5	2004	60	28	x2	2/3

6	800	420	16	x1	1/3
7	800	420	16	x1	1/3
8	800	420	16	x1	1/3
9	800	420	16	x1	1/3
10	419	186	16	x2	1/3

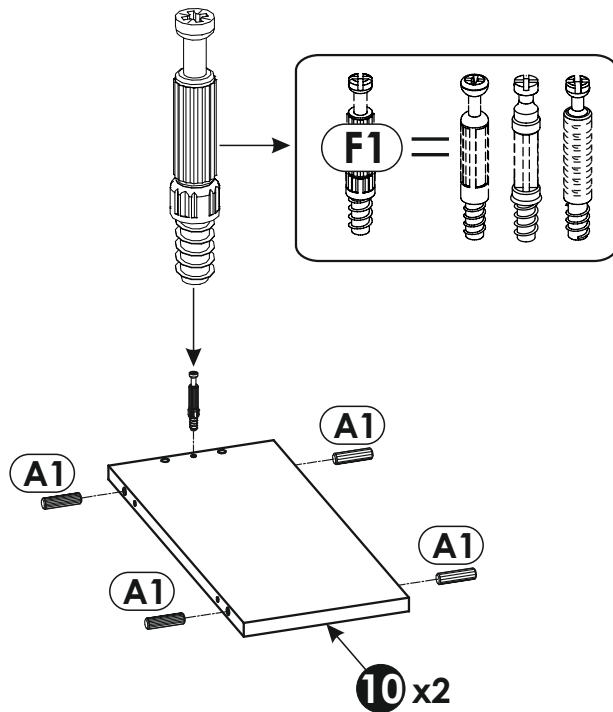
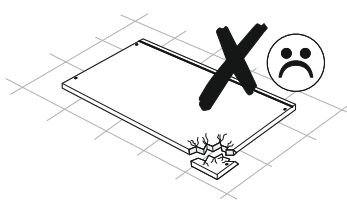
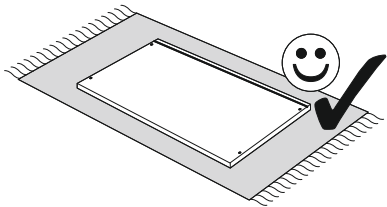
11	403	186	16	x2	1/3
12	949	186	16	x1	3/3
13	767	186	16	x2	1/3



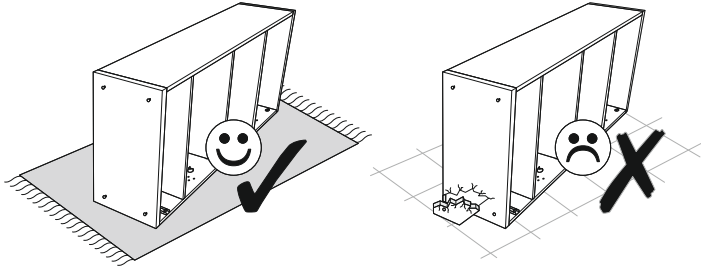
1 ▶



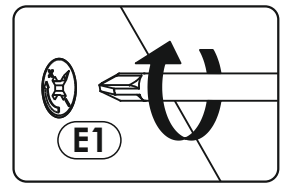
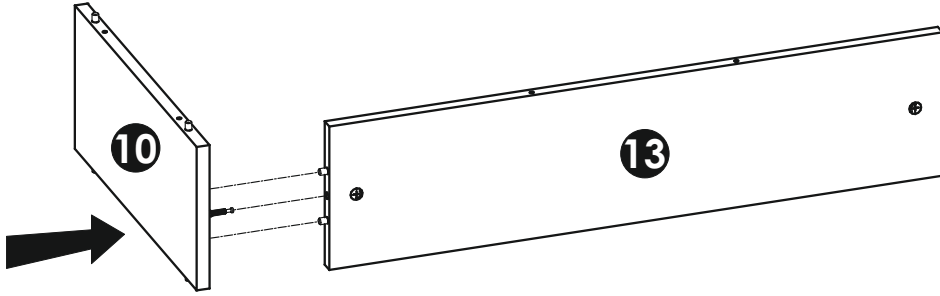
2 ▶



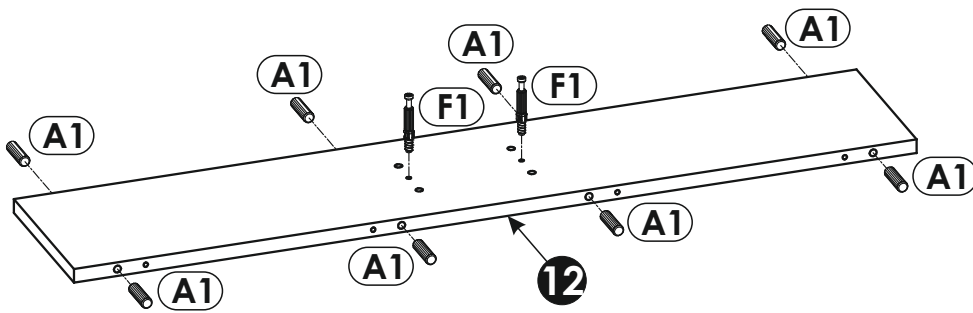
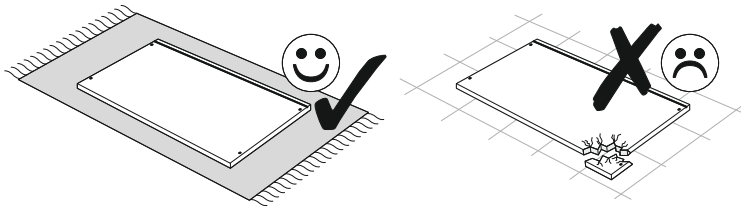
3 ▶



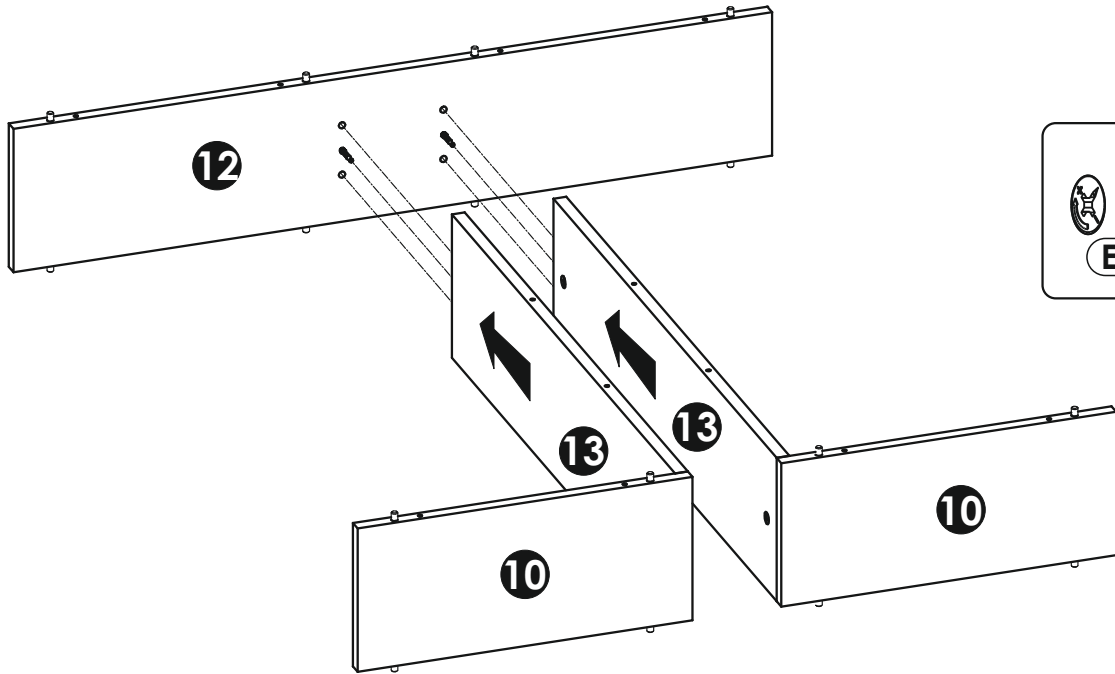
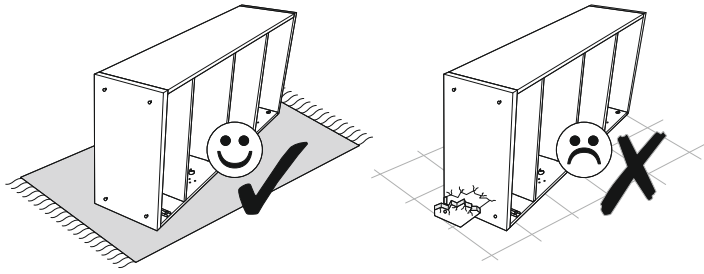
x2



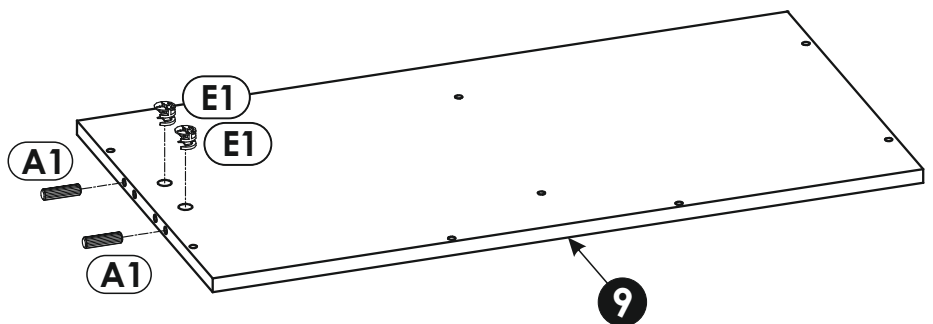
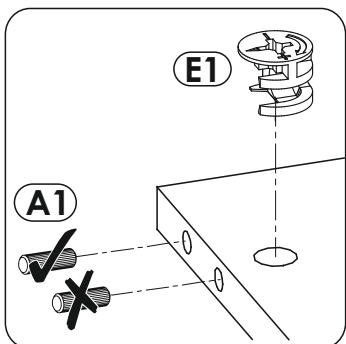
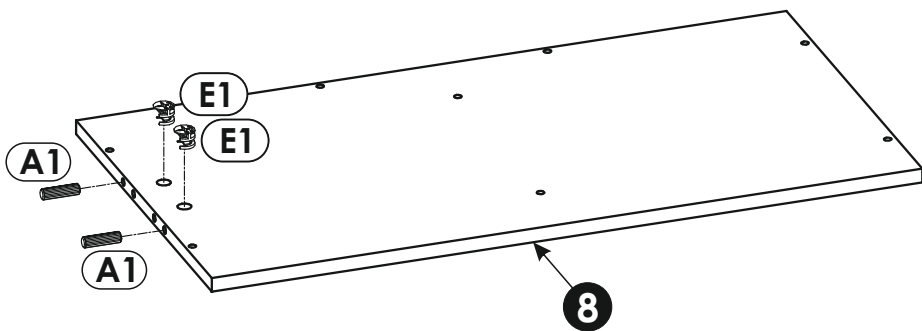
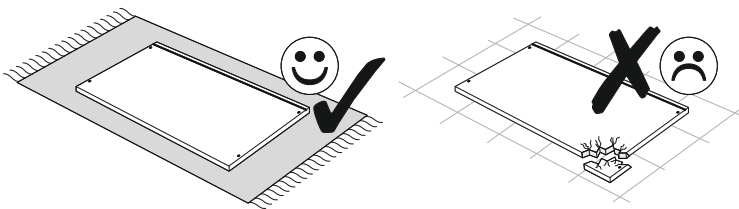
4 ▶



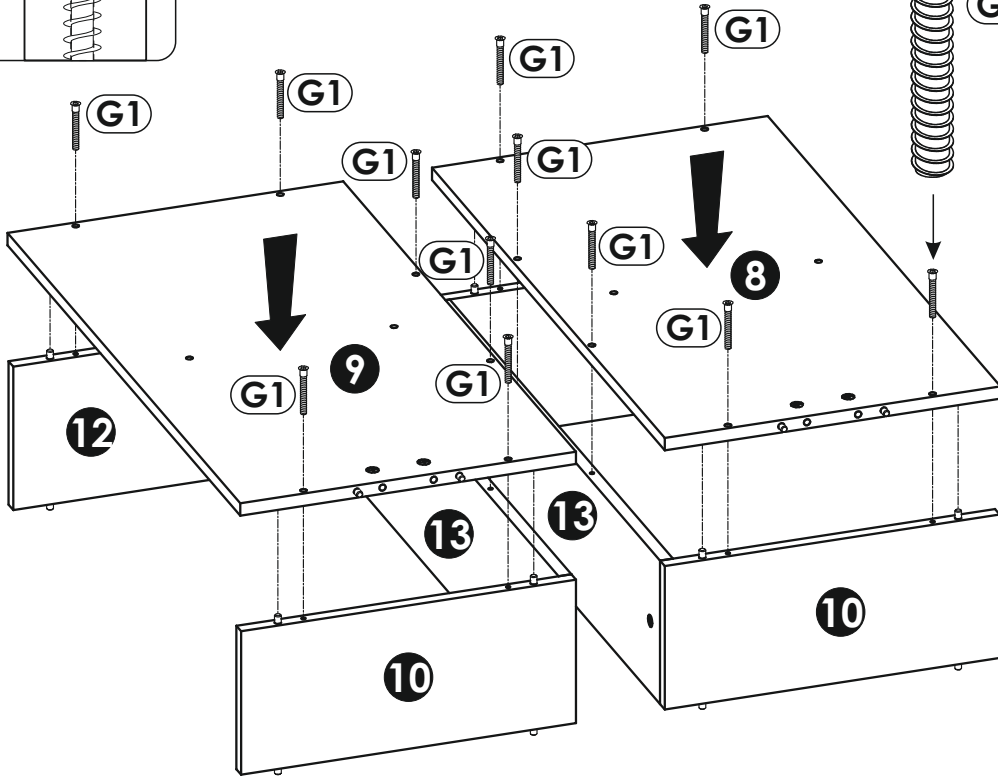
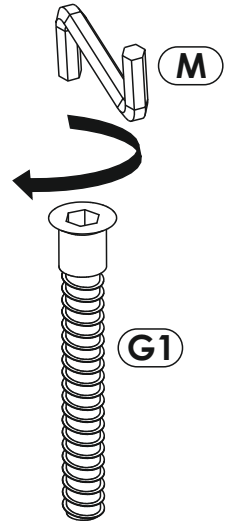
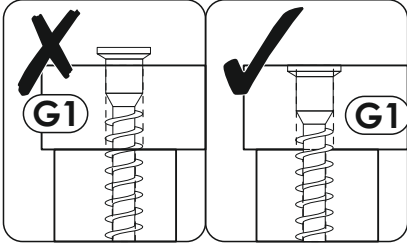
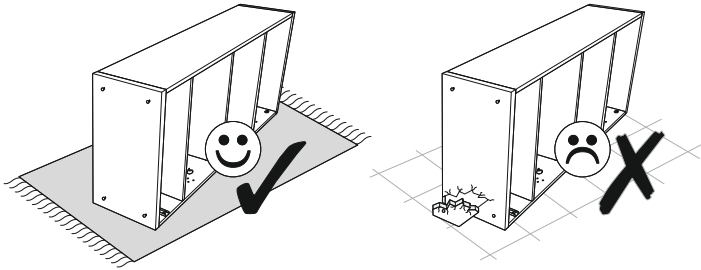
5 ▶



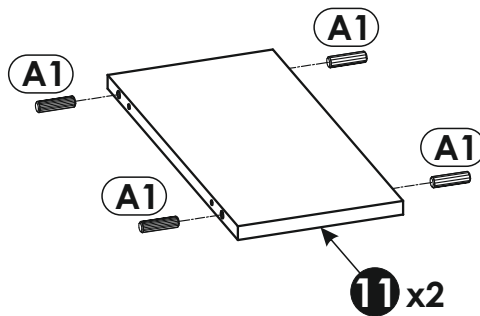
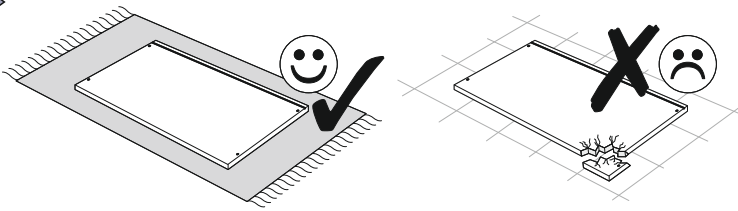
6 ▶



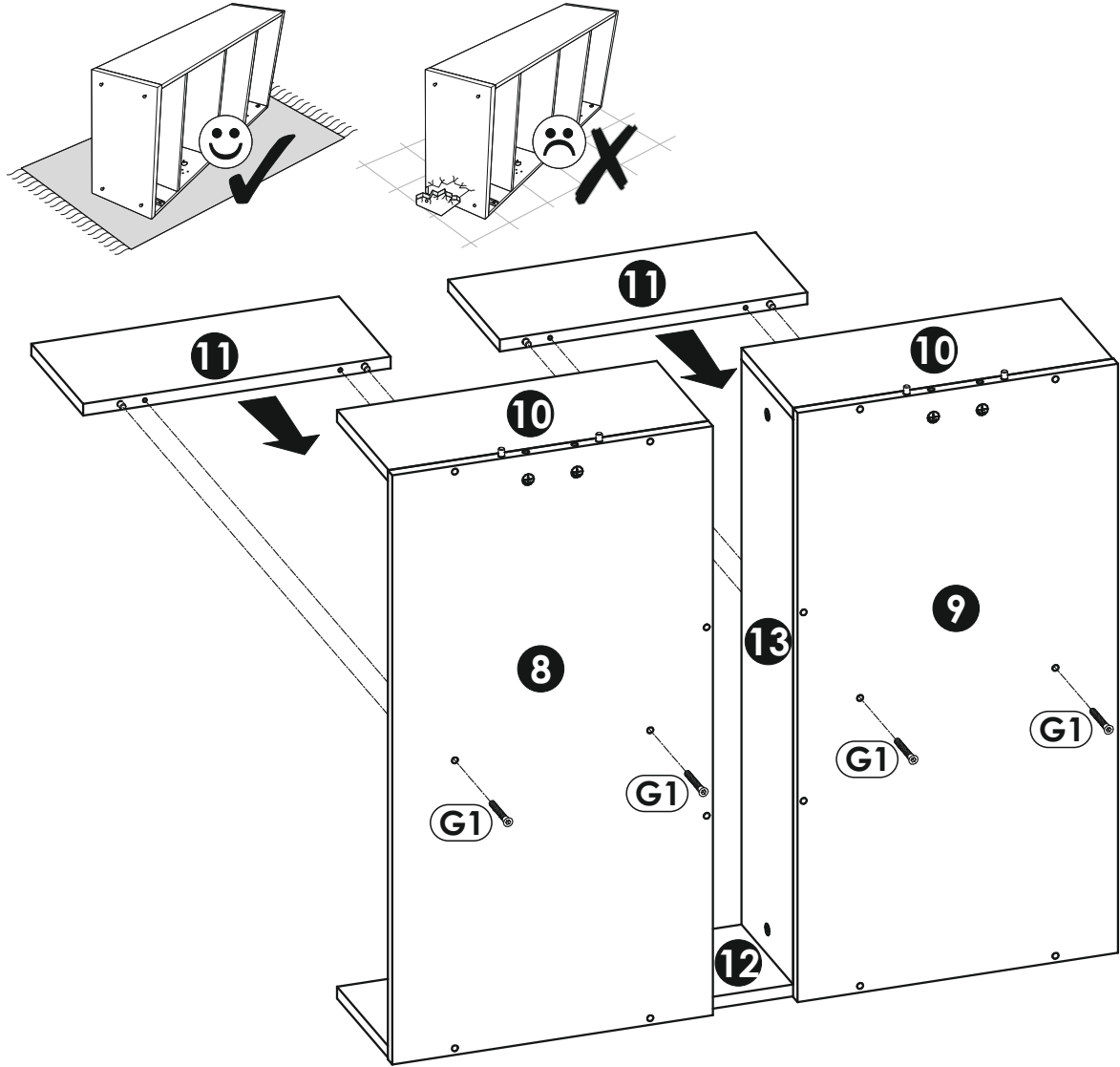
7 ▶



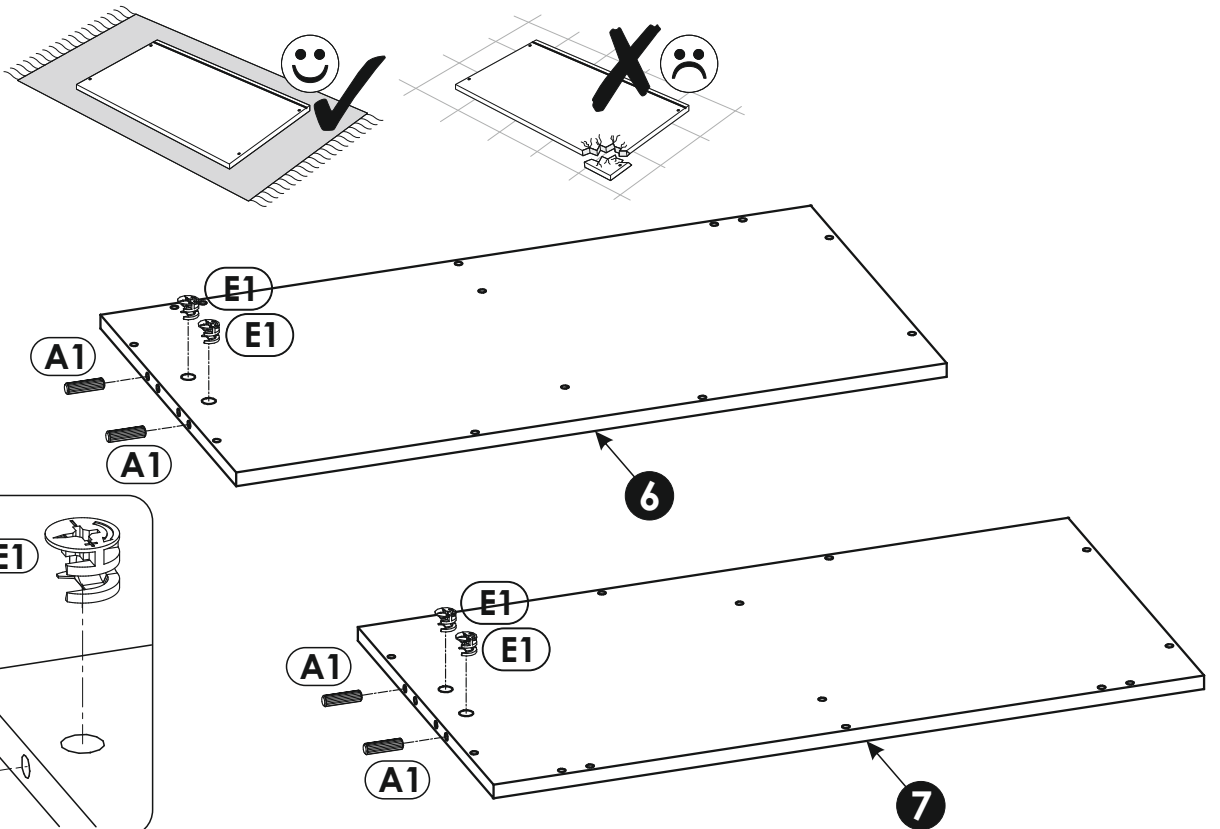
8 ▶



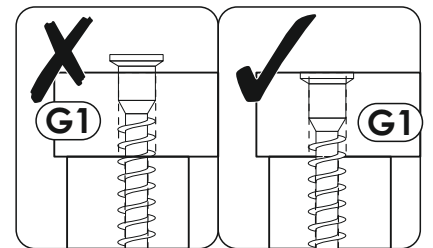
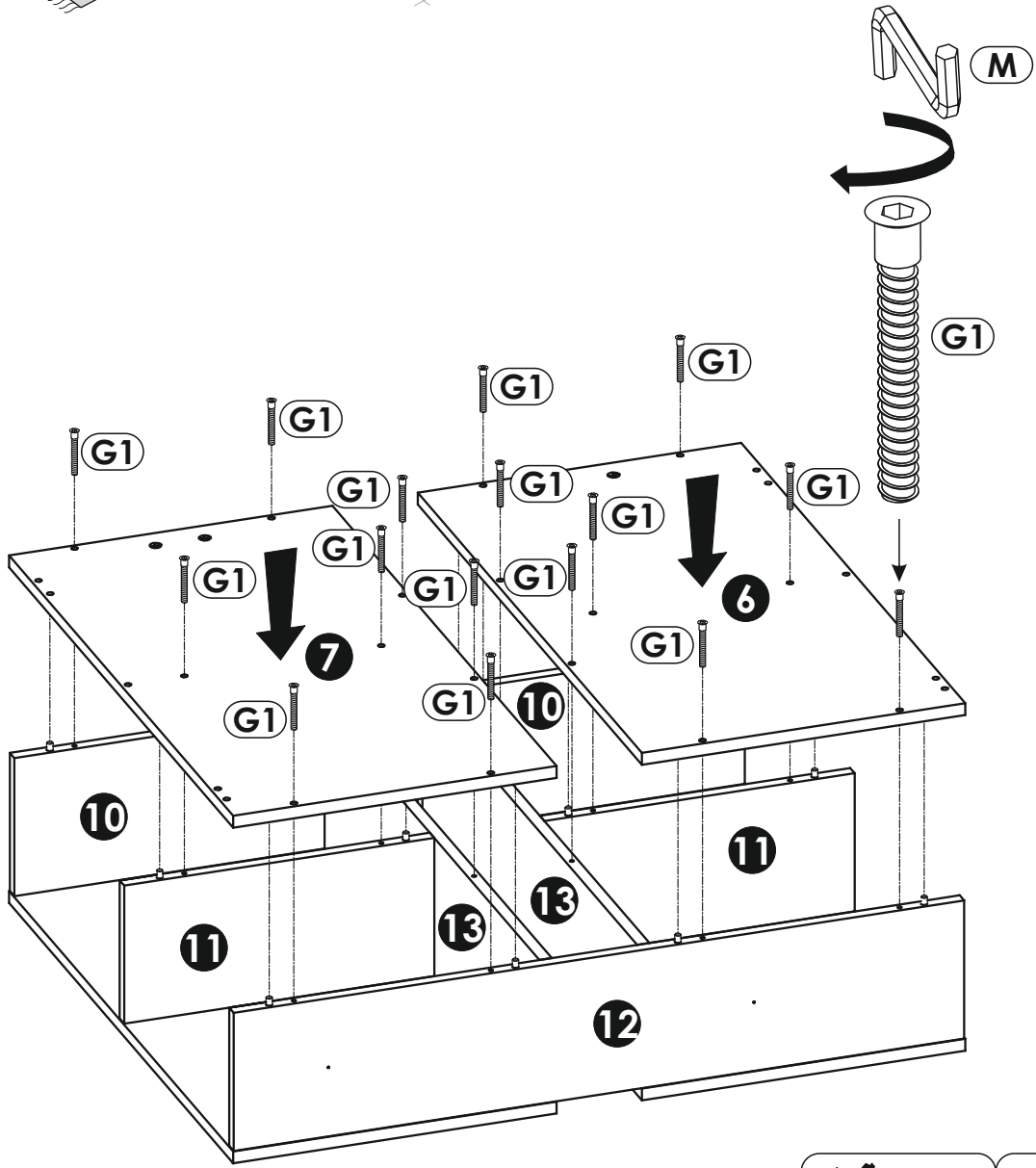
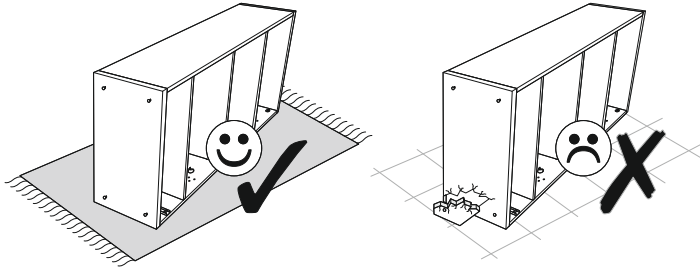
9 ▶



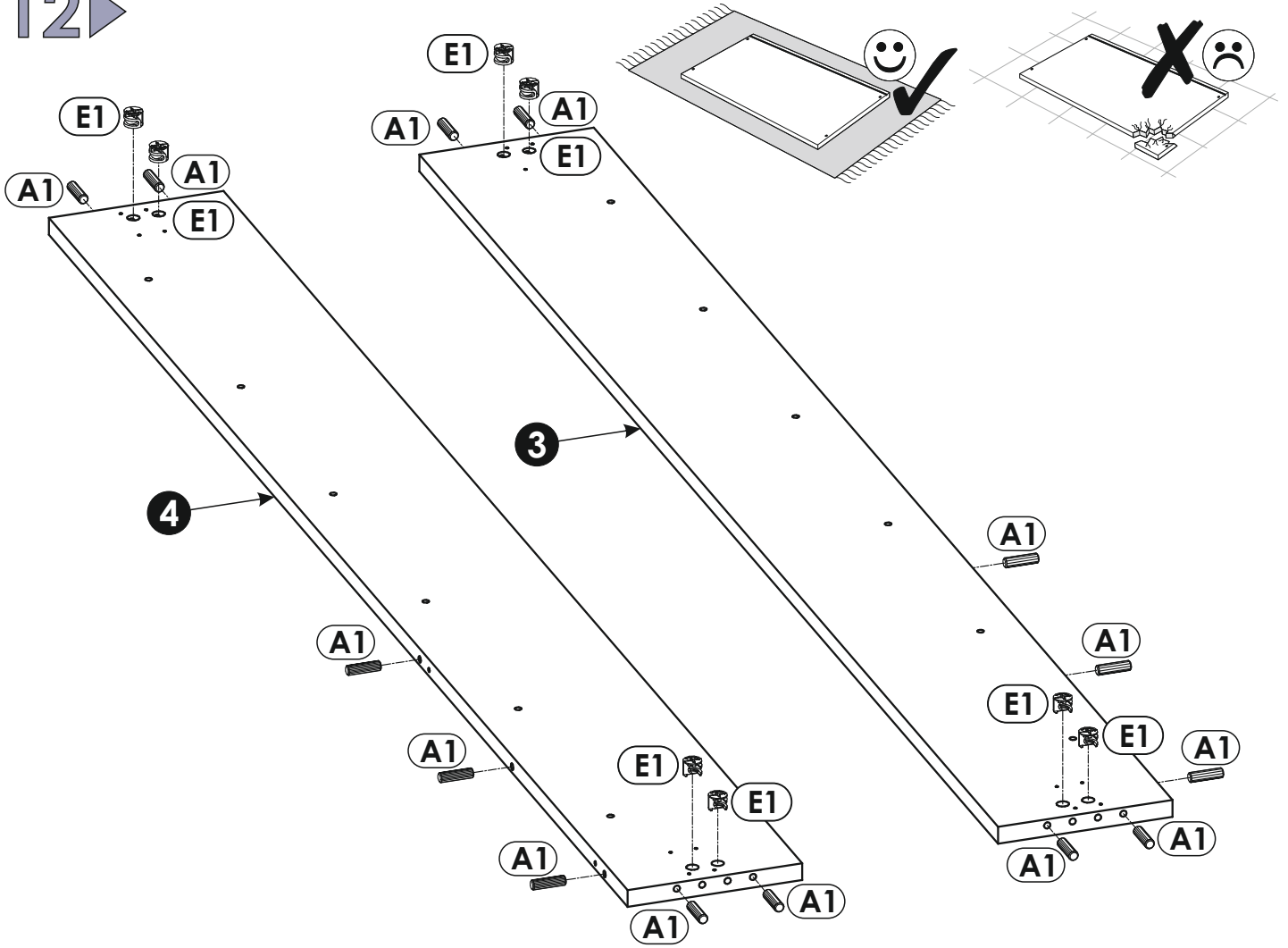
10 ▶



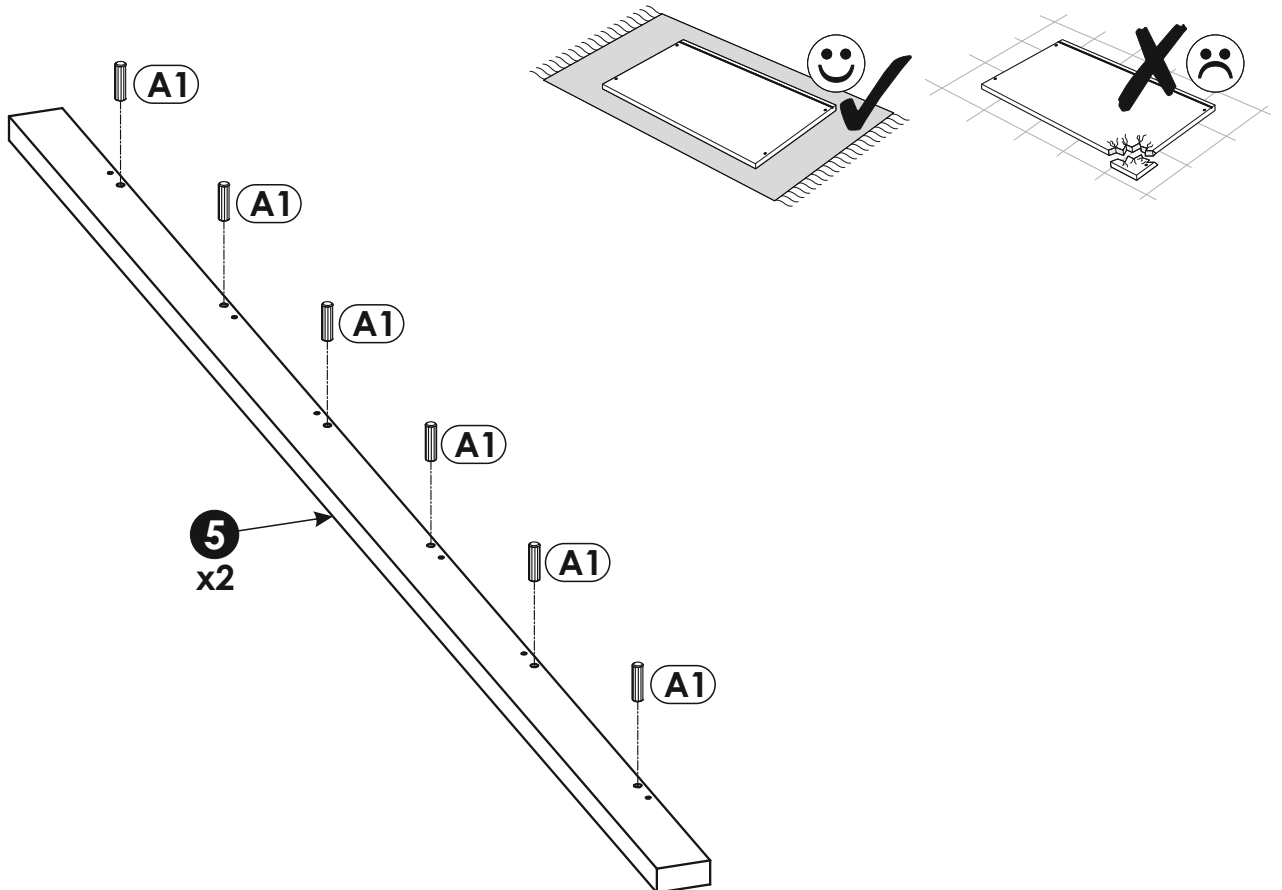
11 ▶



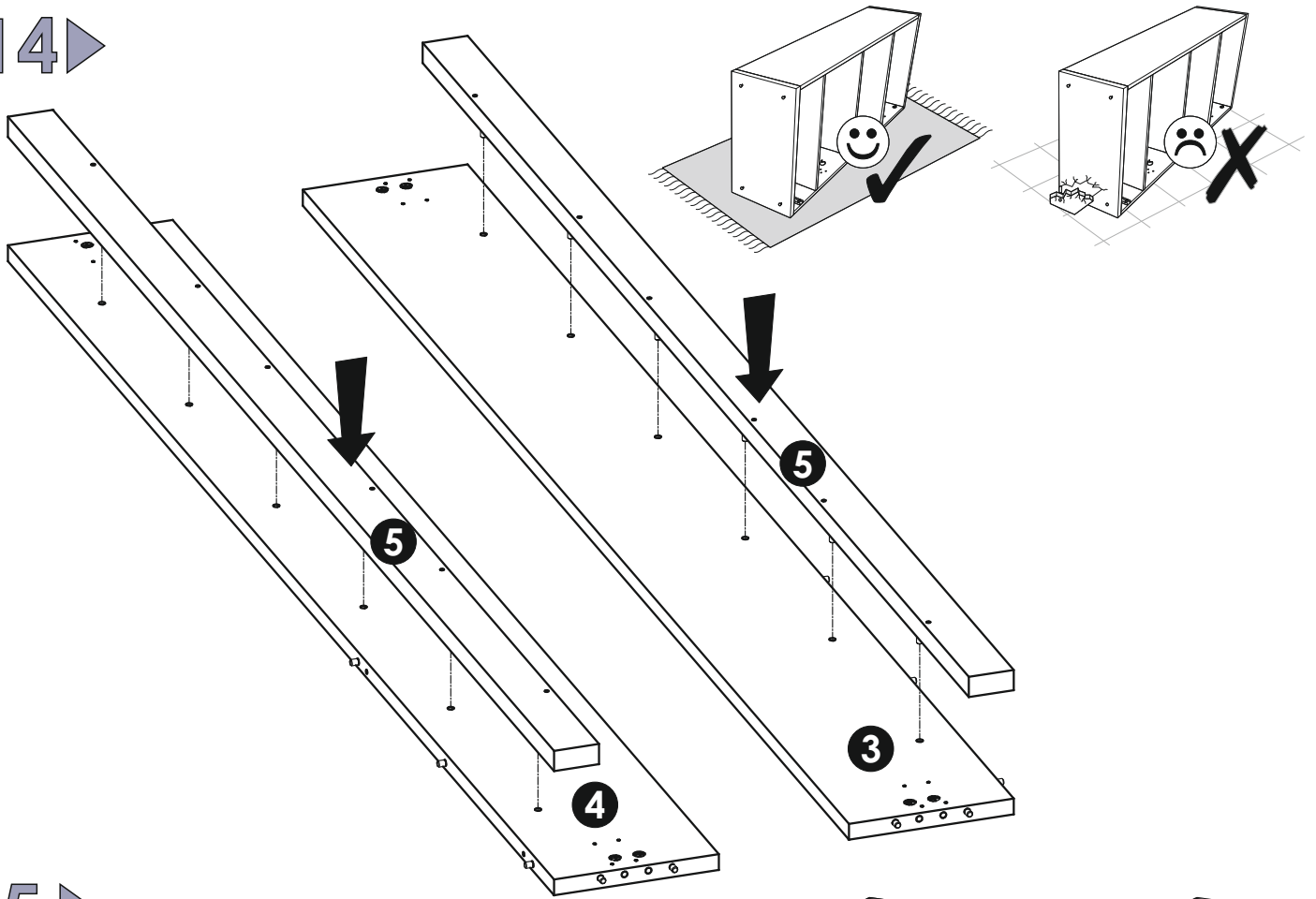
12 ▶



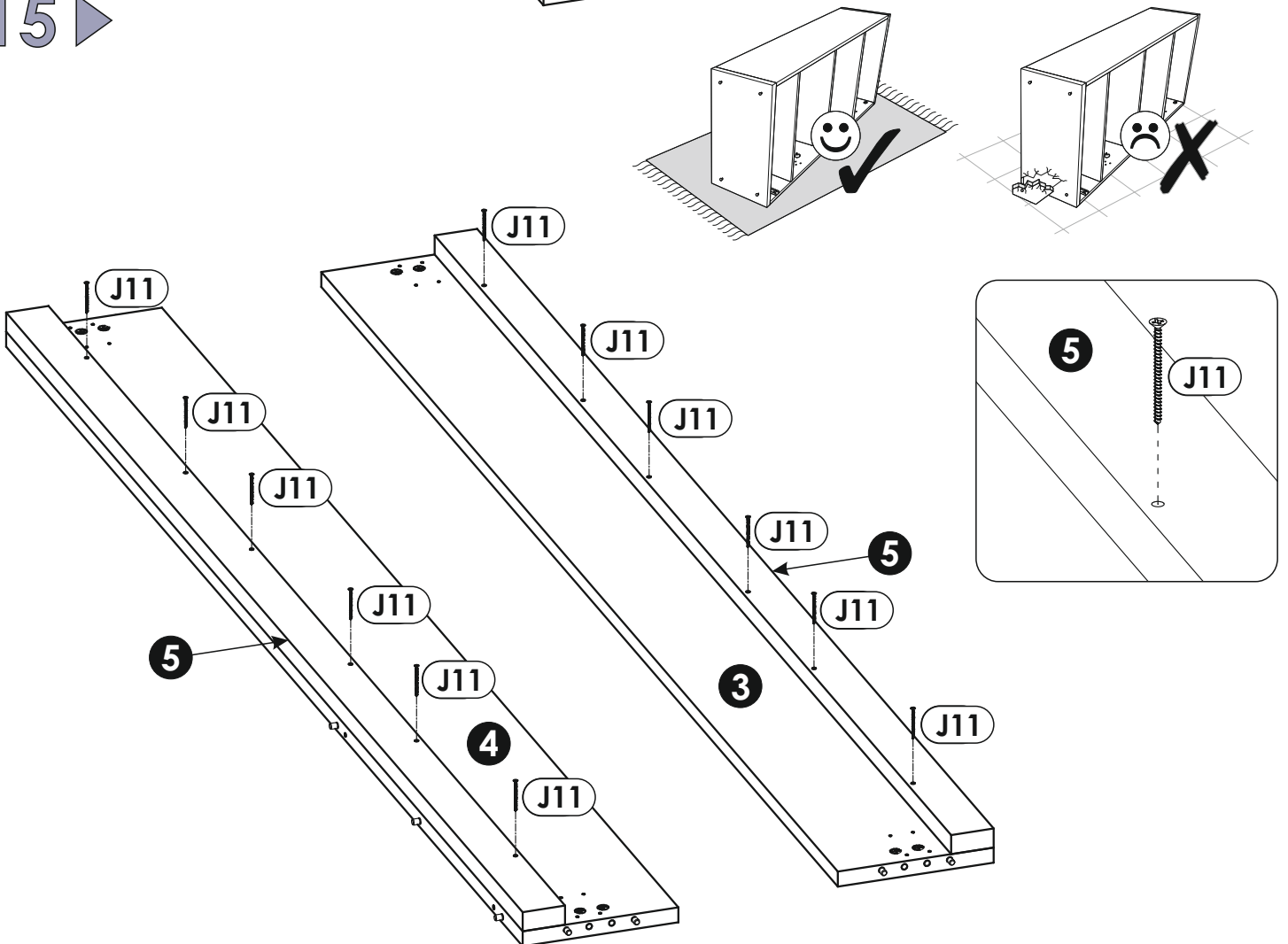
13 ▶



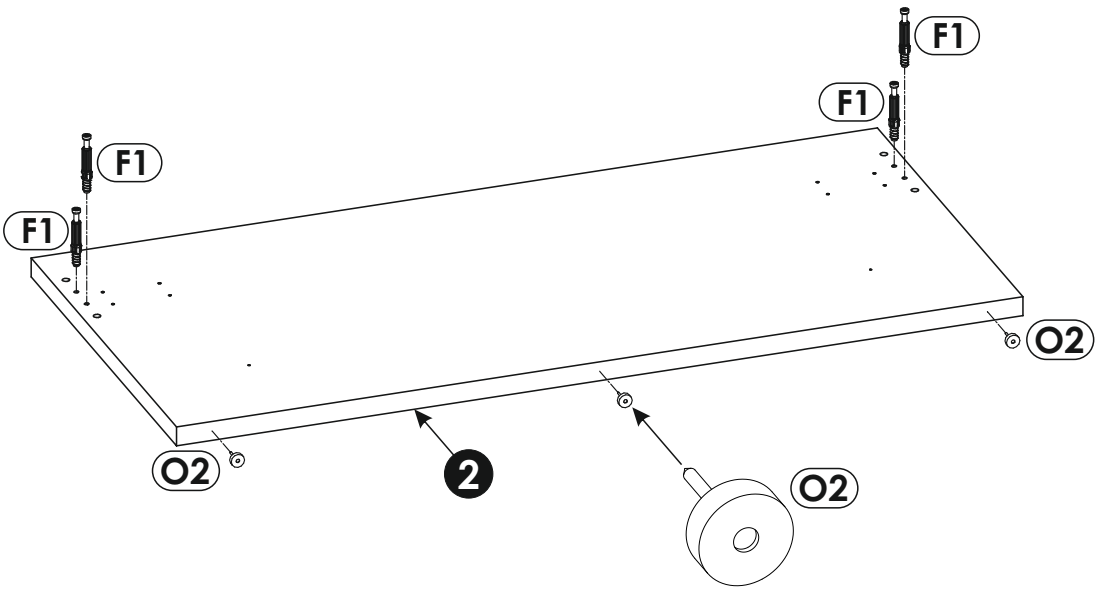
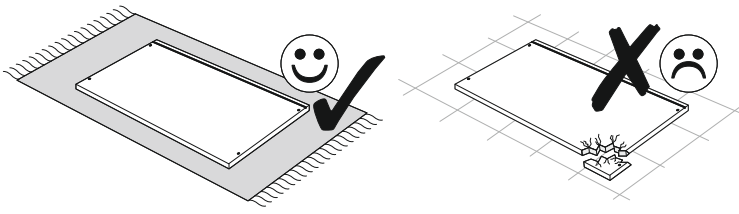
14 ▶



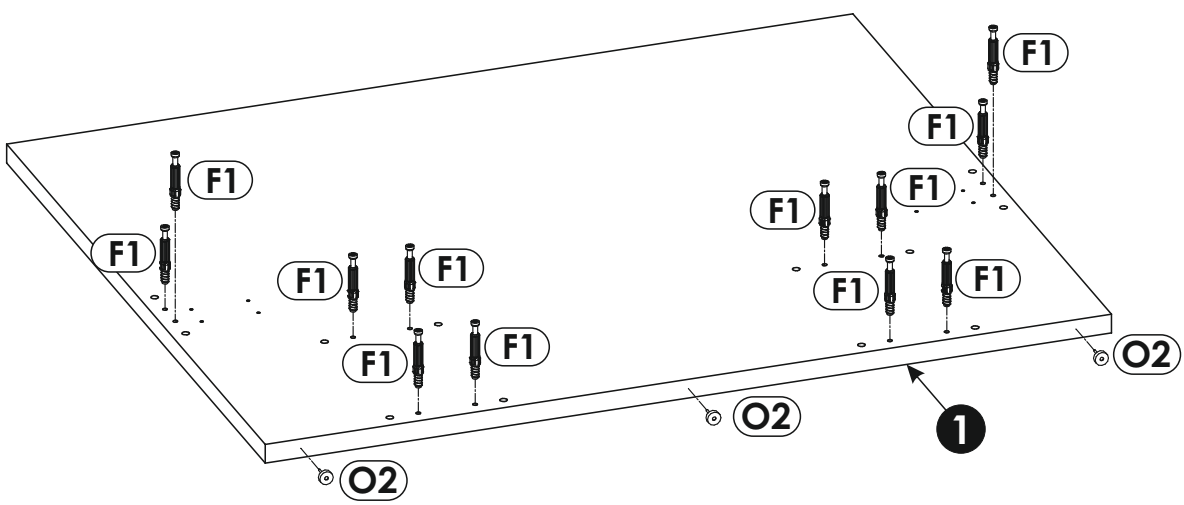
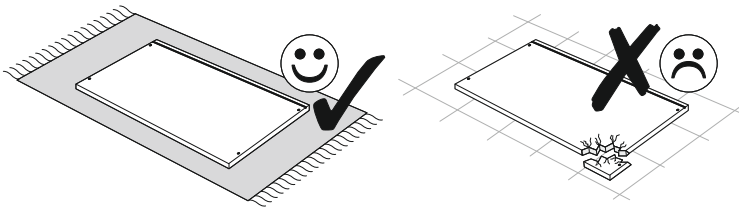
15 ▶



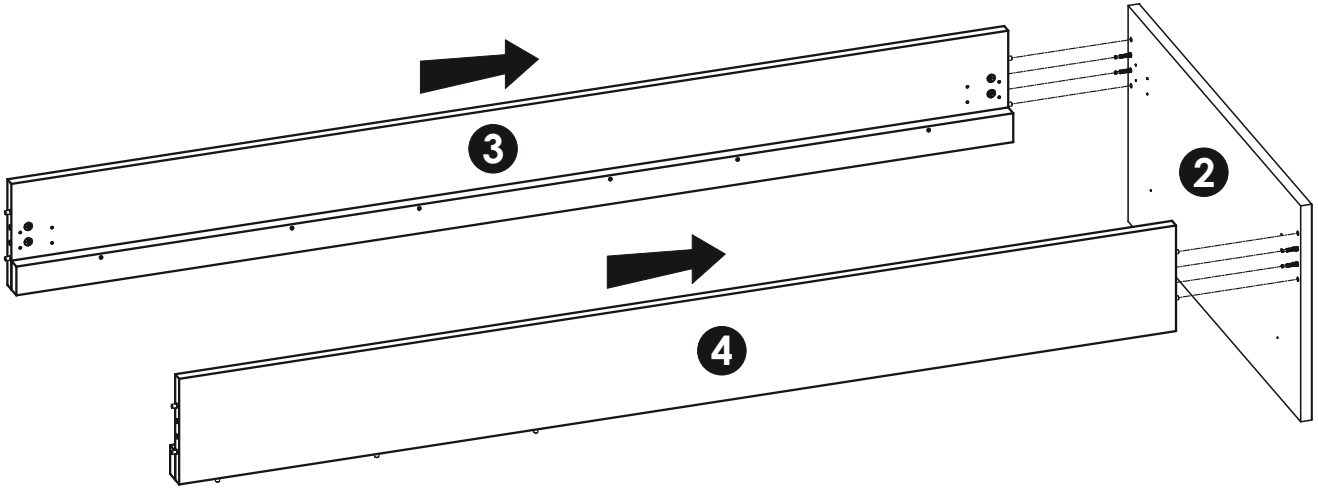
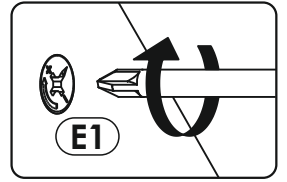
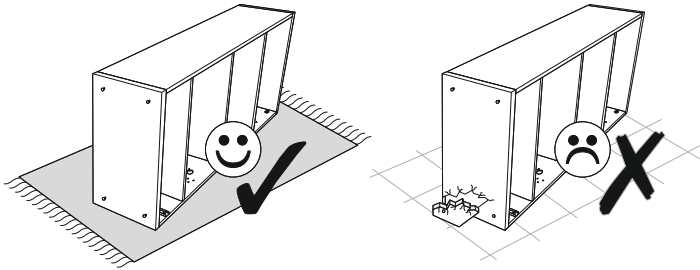
16▶



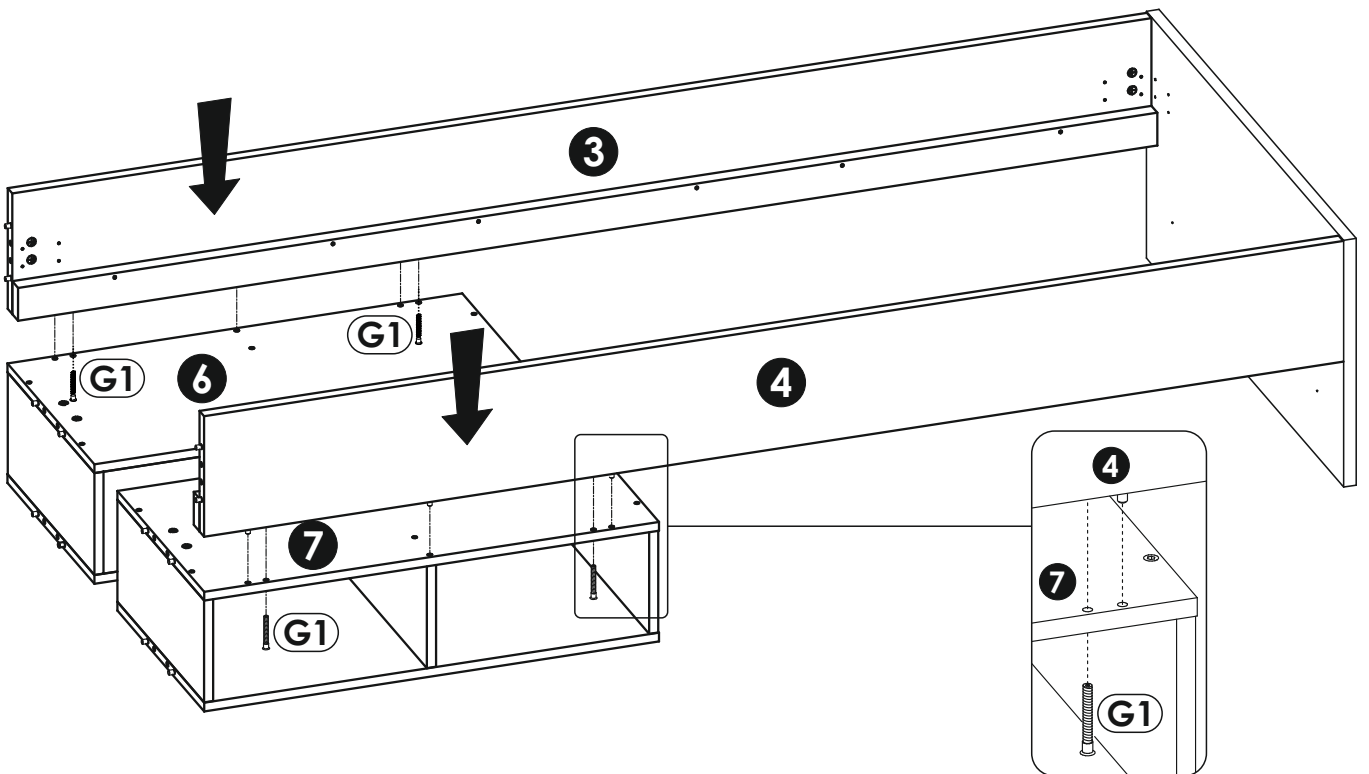
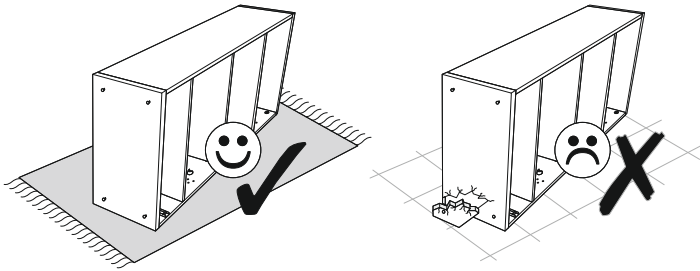
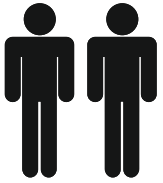
17▶



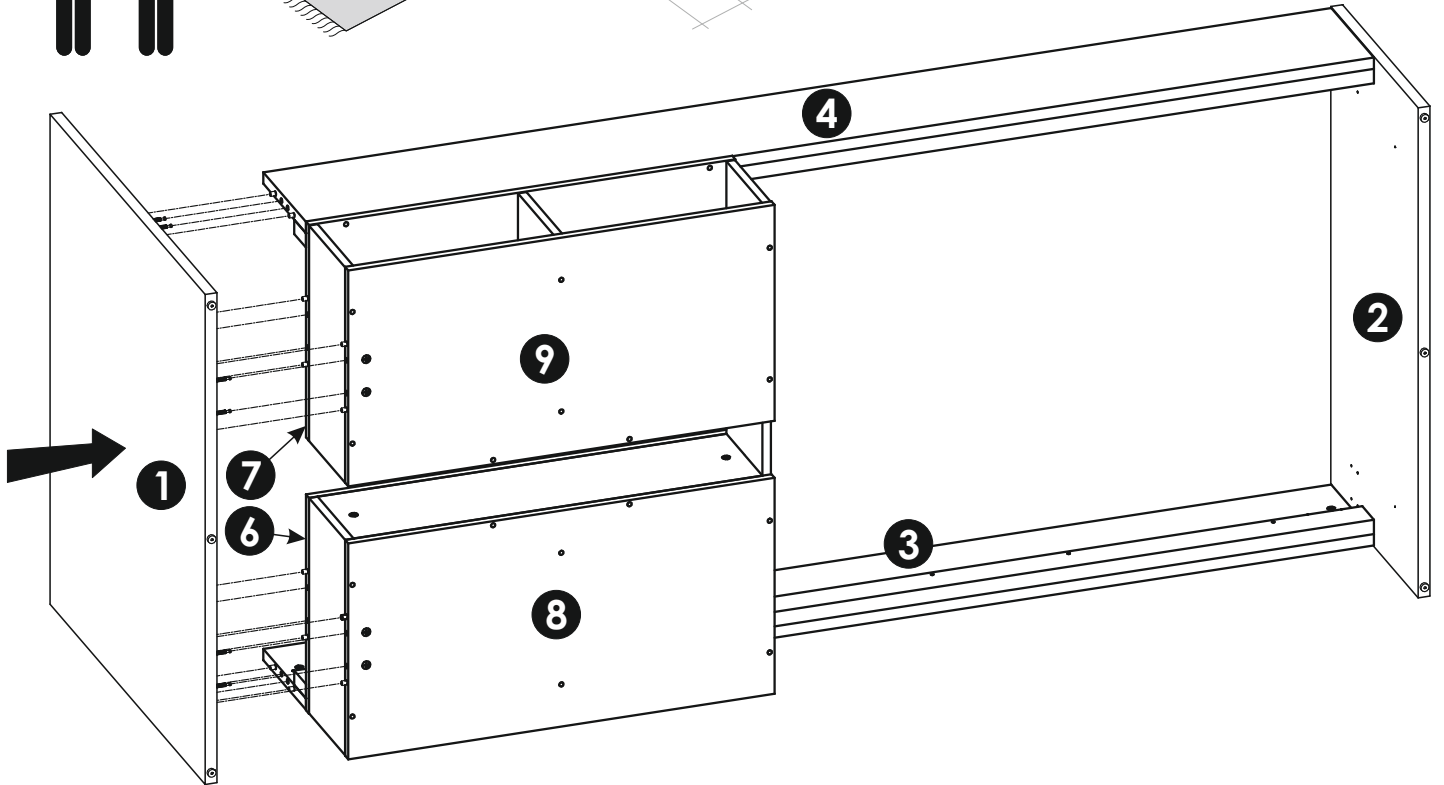
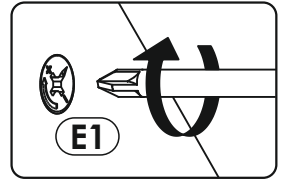
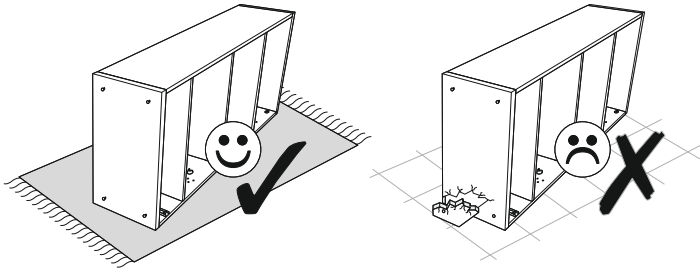
18 ▶



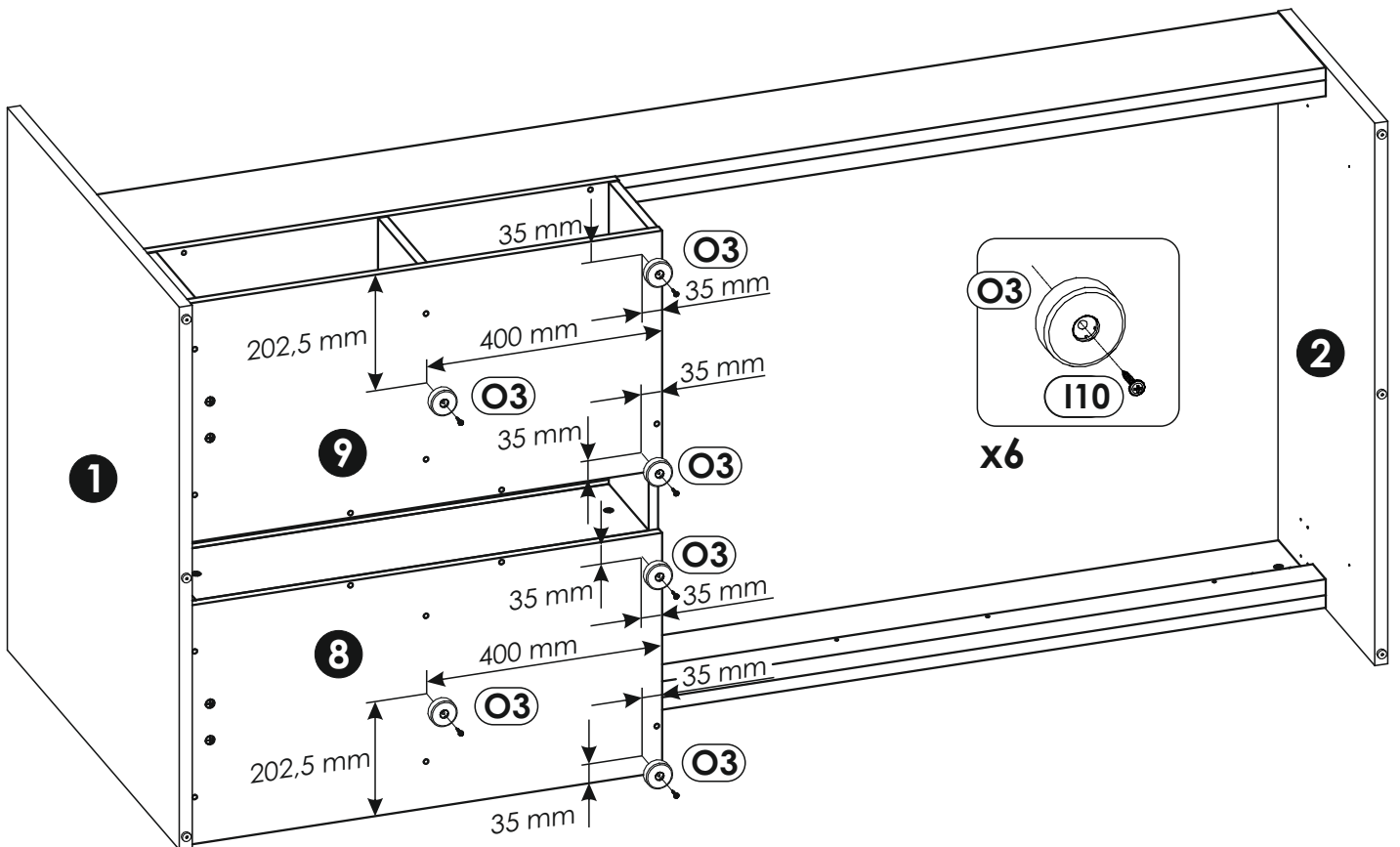
19 ▶



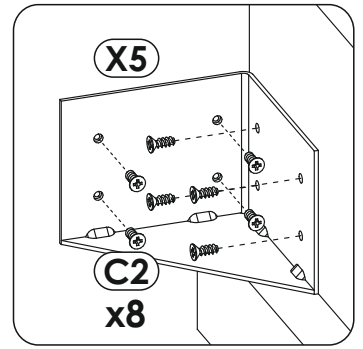
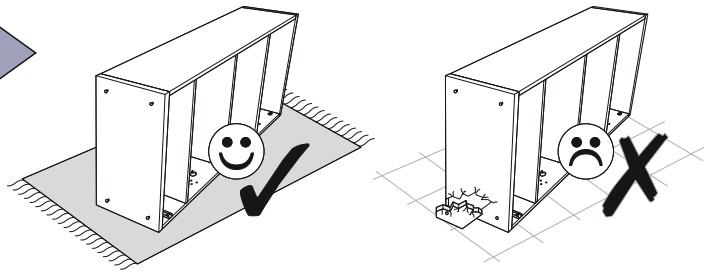
20 ▶



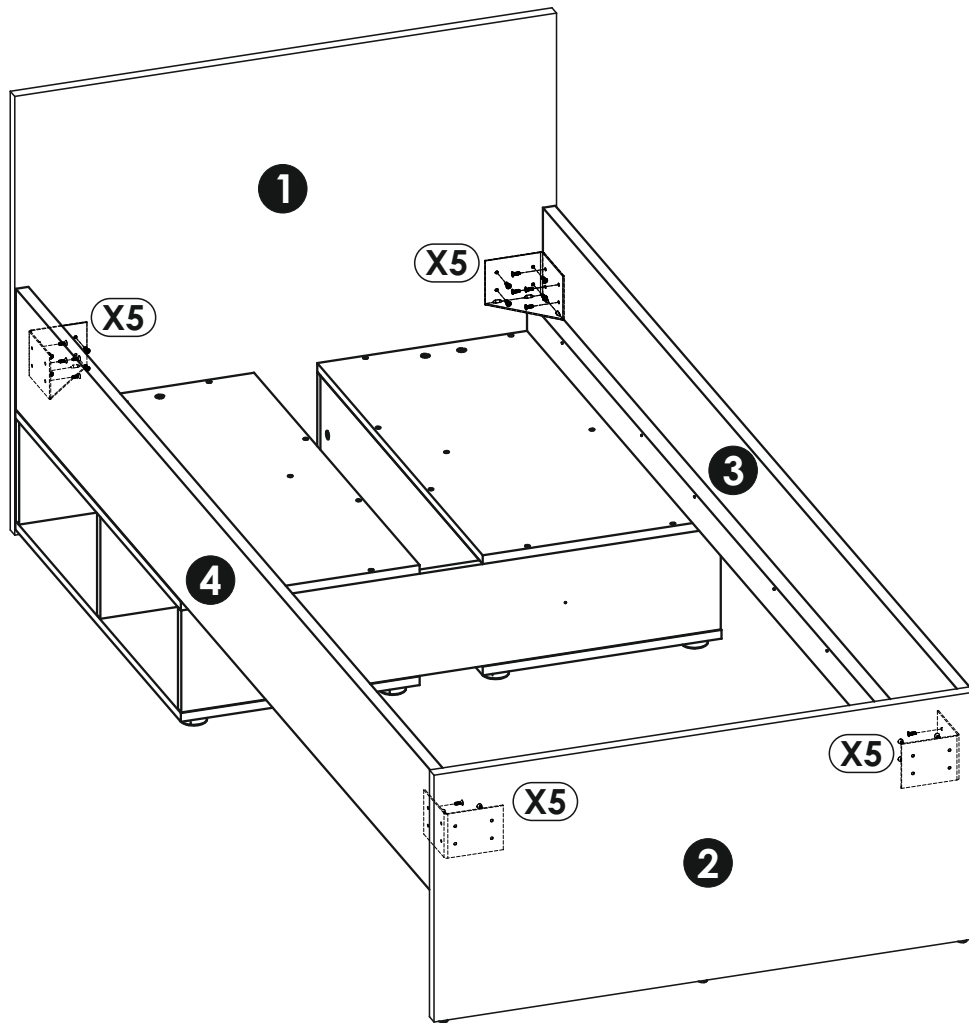
21 ▶



22 ▶



x4



23 ▶

