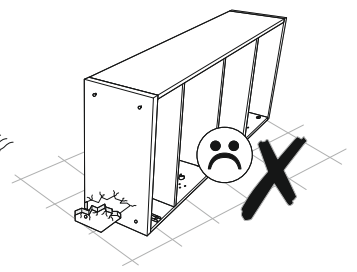
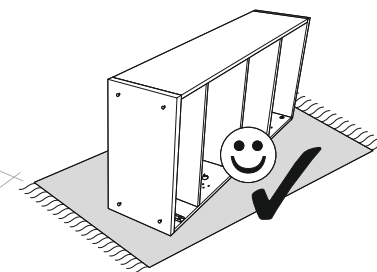
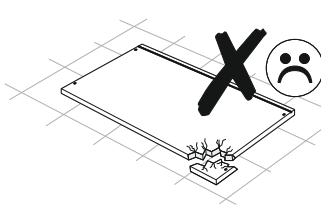
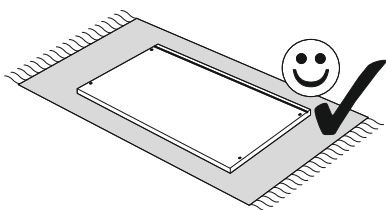
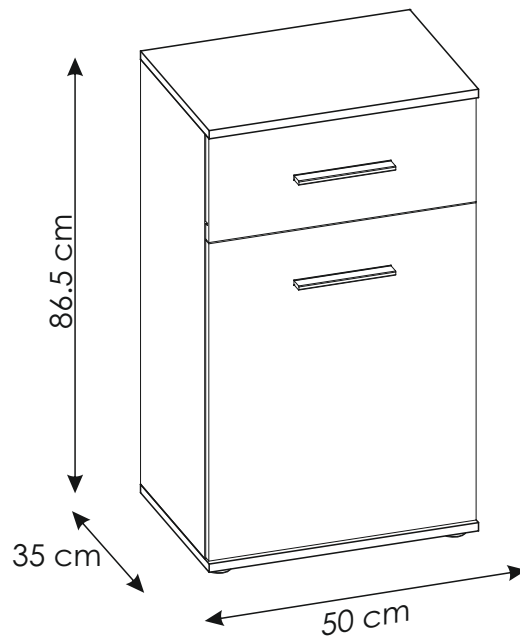
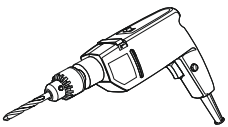
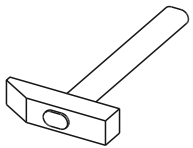
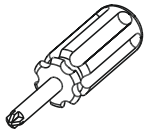
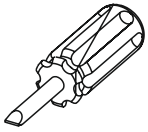
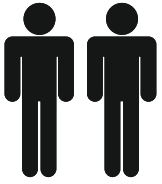
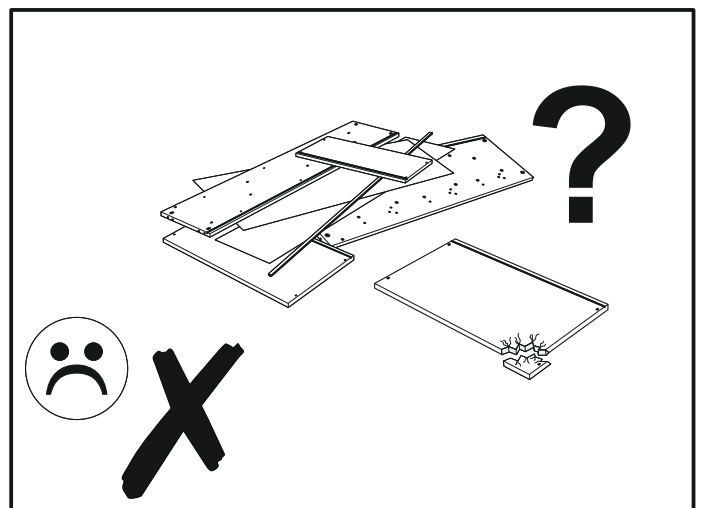
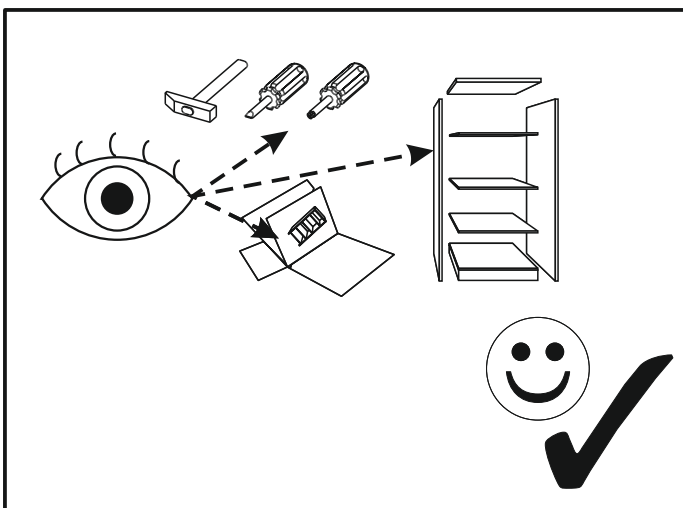
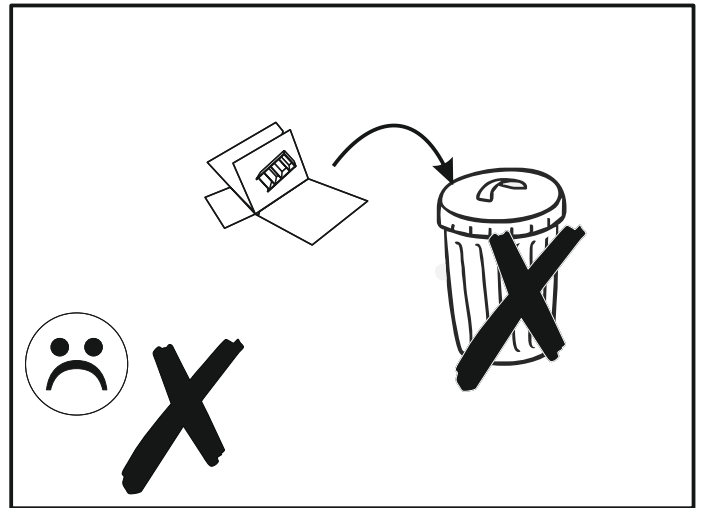
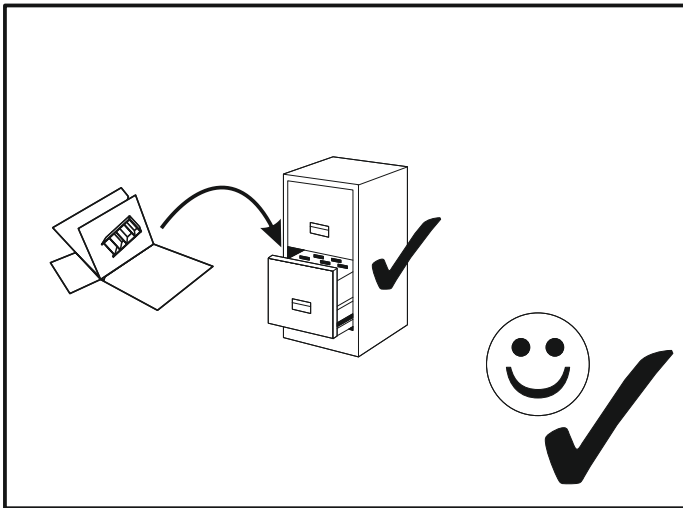
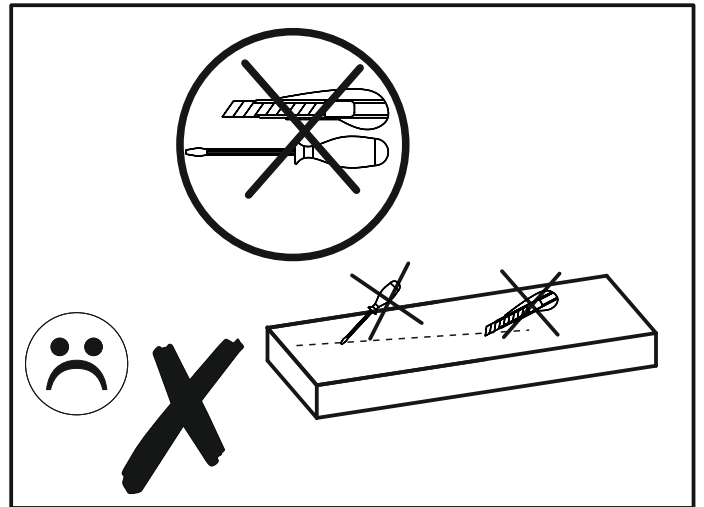
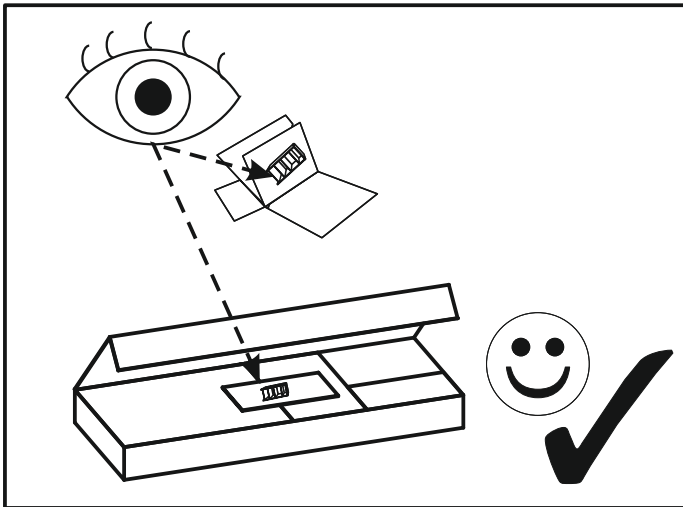
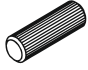
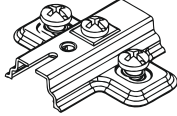
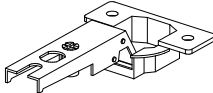

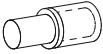
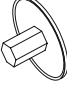

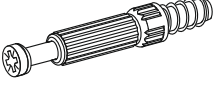



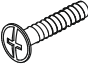

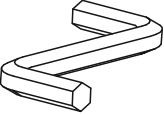
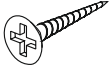
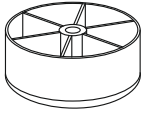
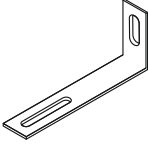
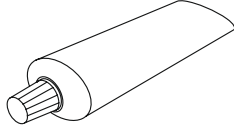
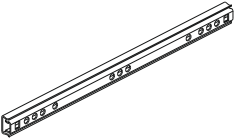



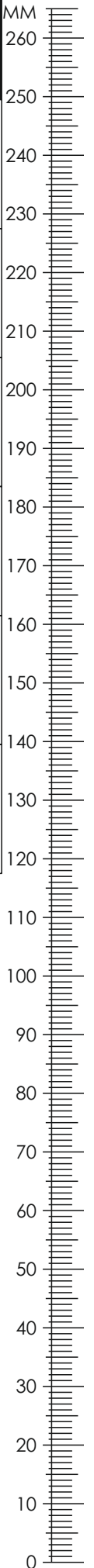
GEMINI - KOMODA 1D-1S



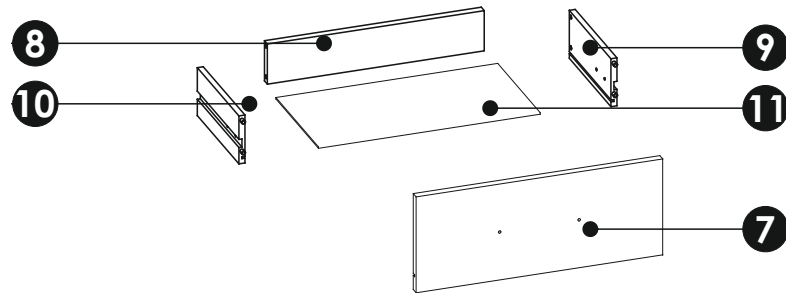
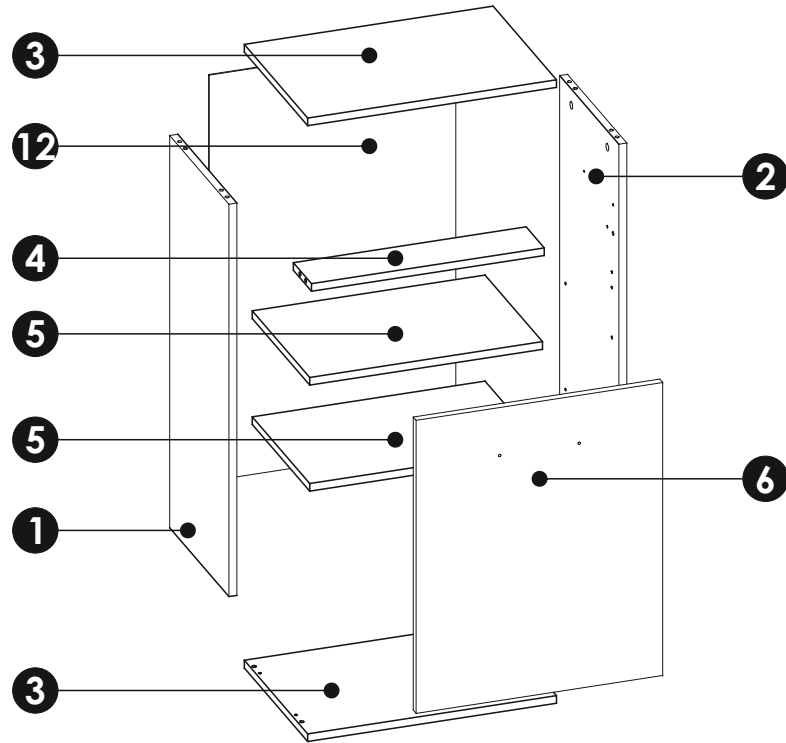
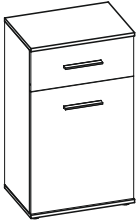


GEMINI - KOMODA 1D-1S

| | | |
|---|--|--|
| A1 8 x 35 mm x16  | B0 x2  | B1 x2  |
| C2 5 x 13 mm x8  | D2 x8  | E0 x10  |
| E1 15 x 12 mm x10  | F1 6 x 34 mm x10  | H1 x2  |
| I2 3,5 x 16 mm x1  | I10 3,0 x 20 mm x4  | I11 3,5 x 27 mm x4  |
| K1 4 x 9 mm x2  | M x1  | N1 3 X 16 mm x20  |
| O1 x4  | Q9 x1  | S x1  |
| T0 x2  | x1  | |

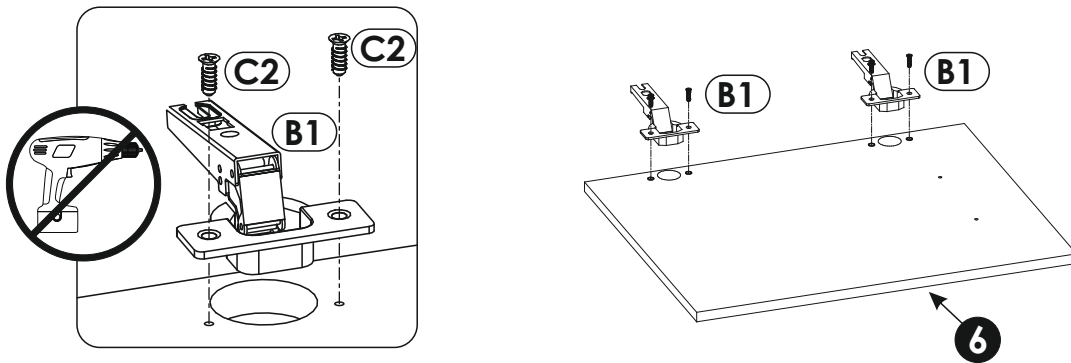
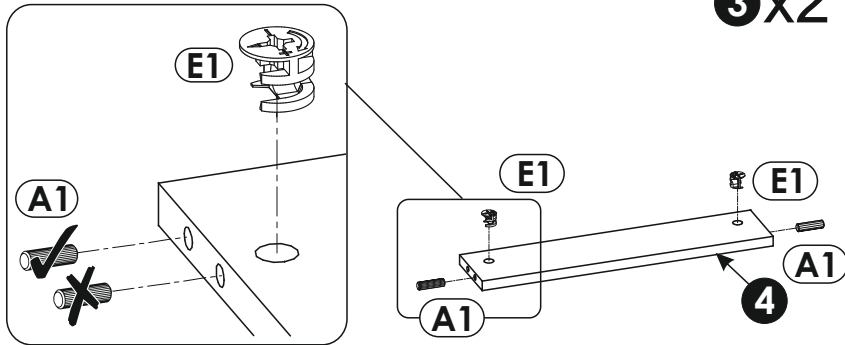
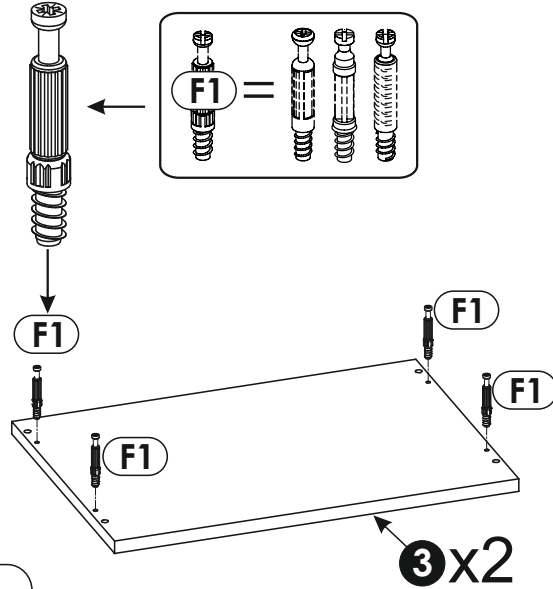
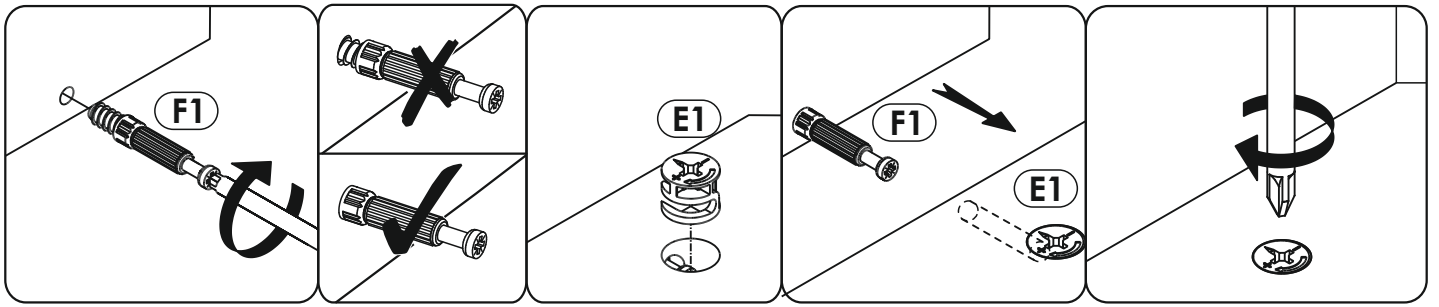


GEMINI - KOMODA 1D-1S

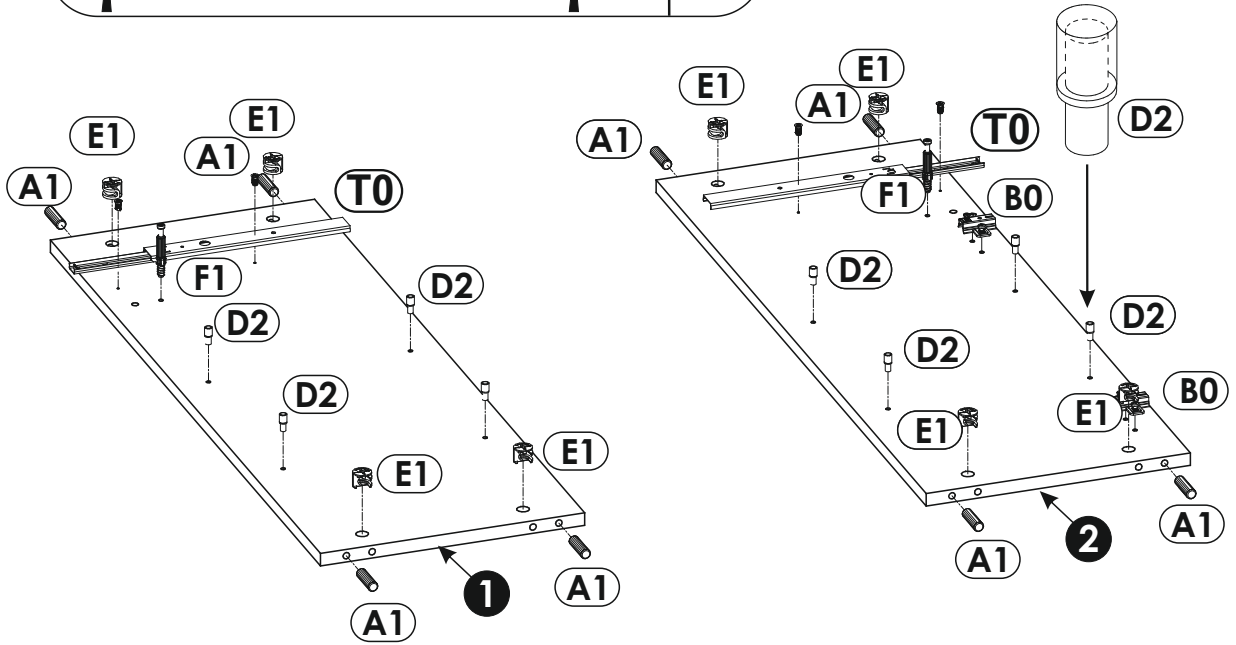
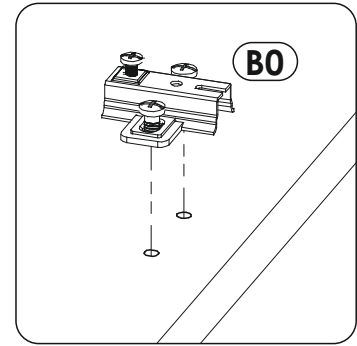
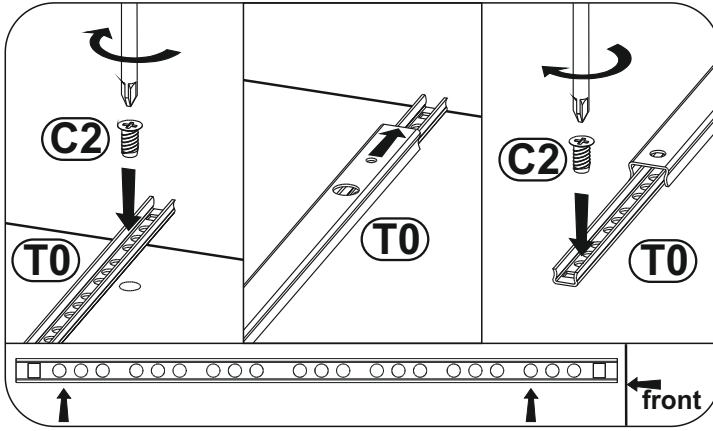


| | | | | |
|----------|-----|-----|-------|-----|
| 1 | 818 | 327 | 16 x1 | 1/1 |
| 2 | 818 | 327 | 16 x1 | 1/1 |
| 3 | 500 | 350 | 16 x2 | 1/1 |
| 4 | 468 | 100 | 16 x1 | 1/1 |
| 5 | 468 | 317 | 16 x2 | 1/1 |
| 6 | 611 | 496 | 16 x1 | 1/1 |

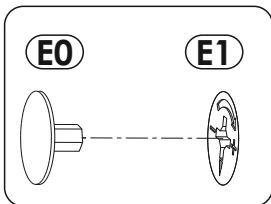
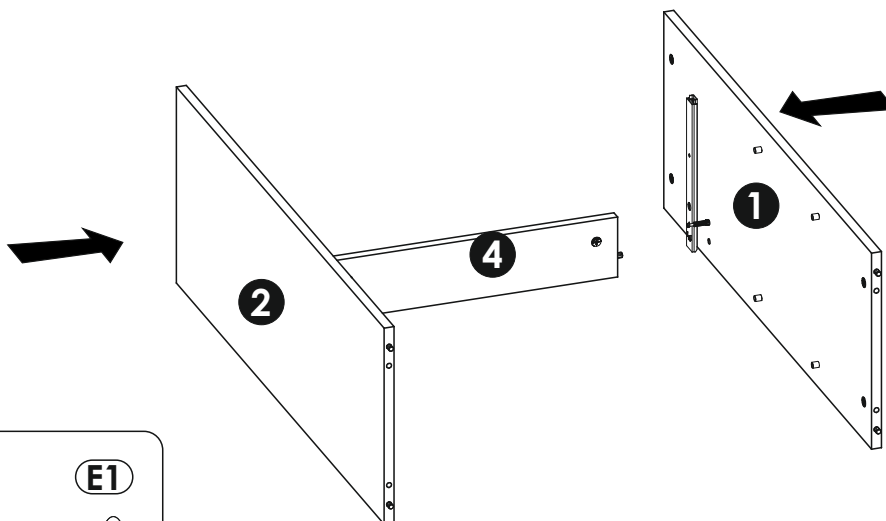
| | | | | |
|-----------|-----|-----|-------|-----|
| 7 | 496 | 200 | 16 x1 | 1/1 |
| 8 | 436 | 84 | 16 x1 | 1/1 |
| 9 | 230 | 100 | 12 x1 | 1/1 |
| 10 | 230 | 100 | 12 x1 | 1/1 |
| 11 | 446 | 235 | 3 x1 | 1/1 |
| 12 | 846 | 496 | 3 x1 | 1/1 |



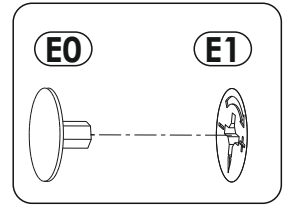
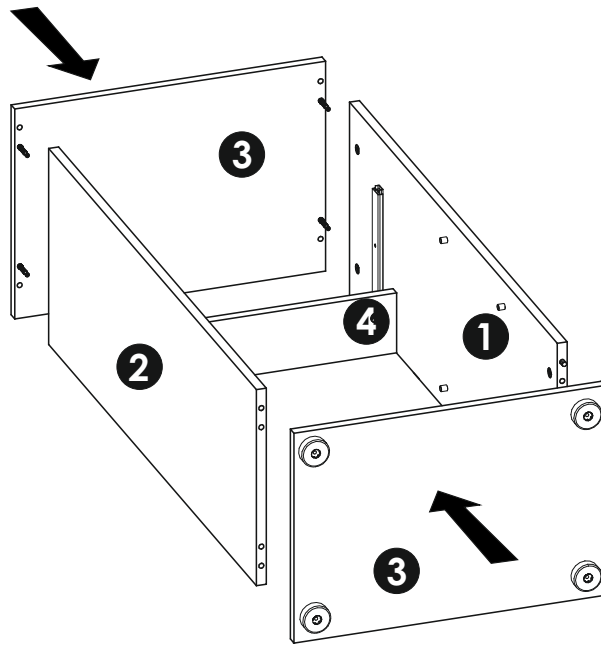
2 ▶



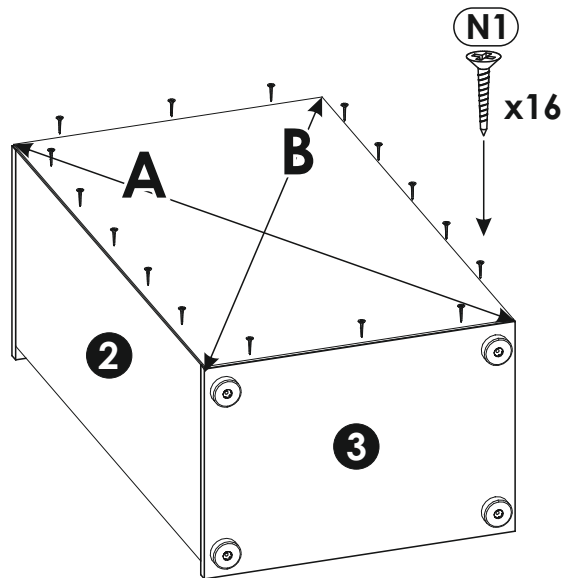
3 ▶



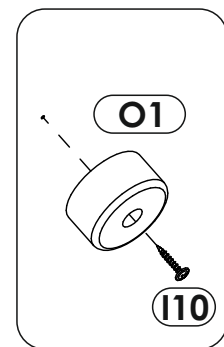
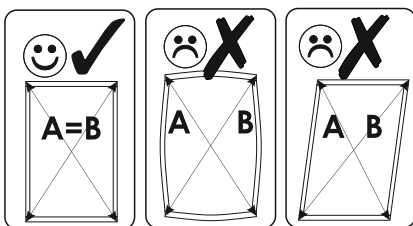
4▶



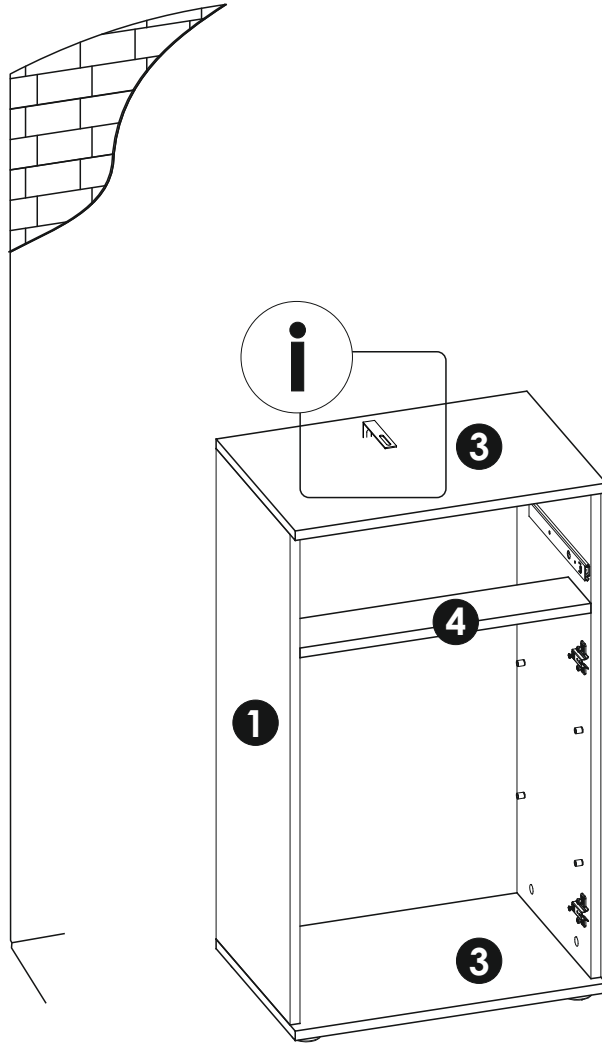
5▶



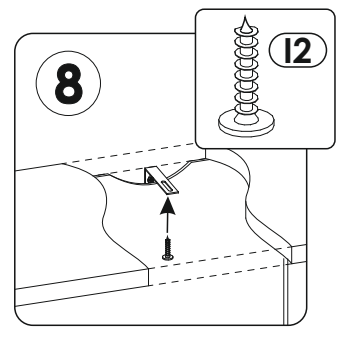
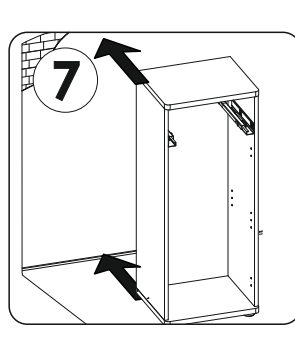
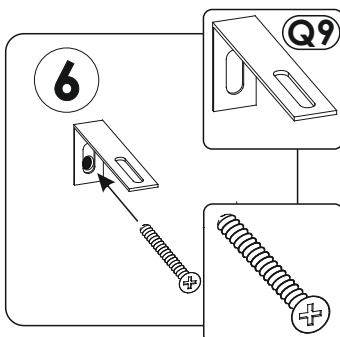
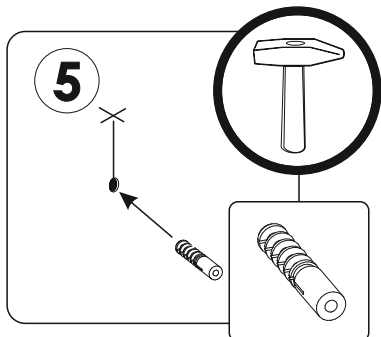
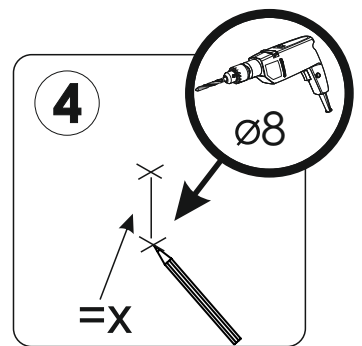
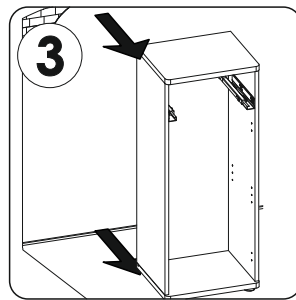
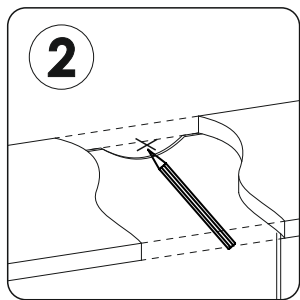
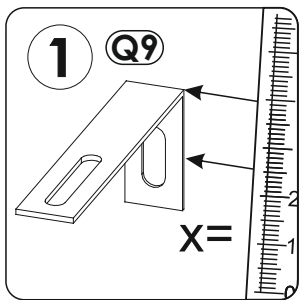
A=B



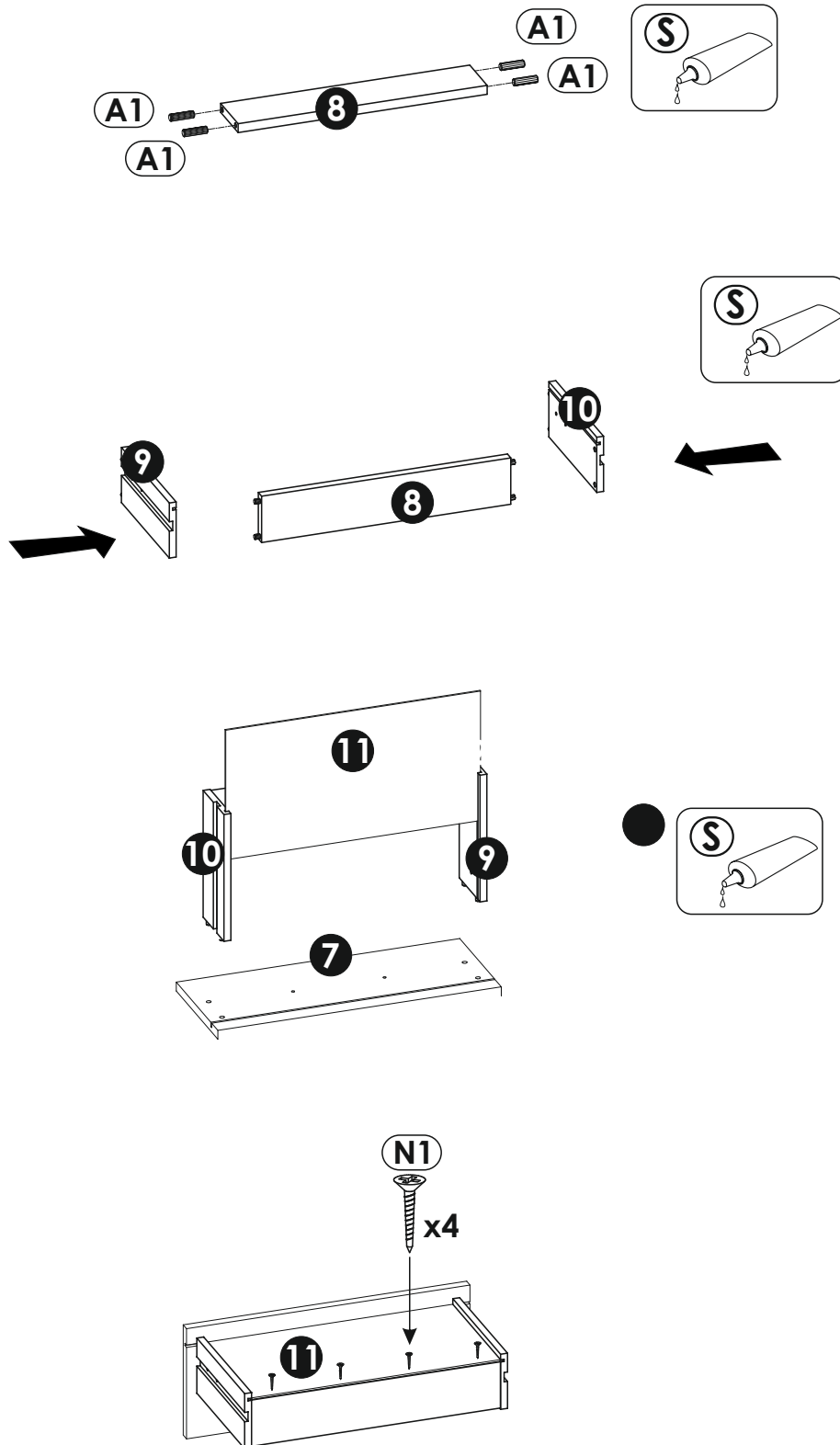
6 ▶



i



7 ▶



8 ▶

