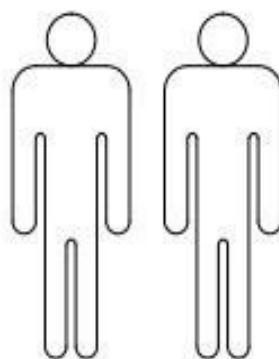


H334



1

2

3



1	1x
2	1x
3	1x

A



M6x30mm

4x

B



M6x12mm

4x

C



Ø18*Ø6.5mm

4x

D

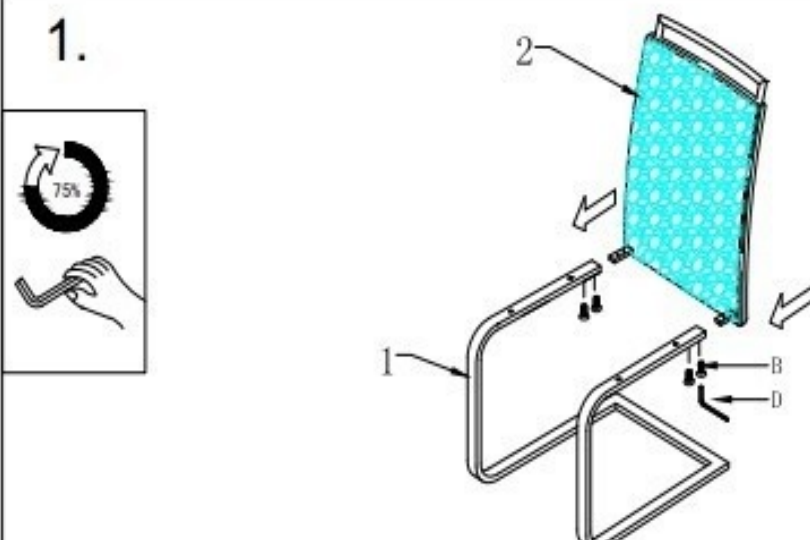


4mm

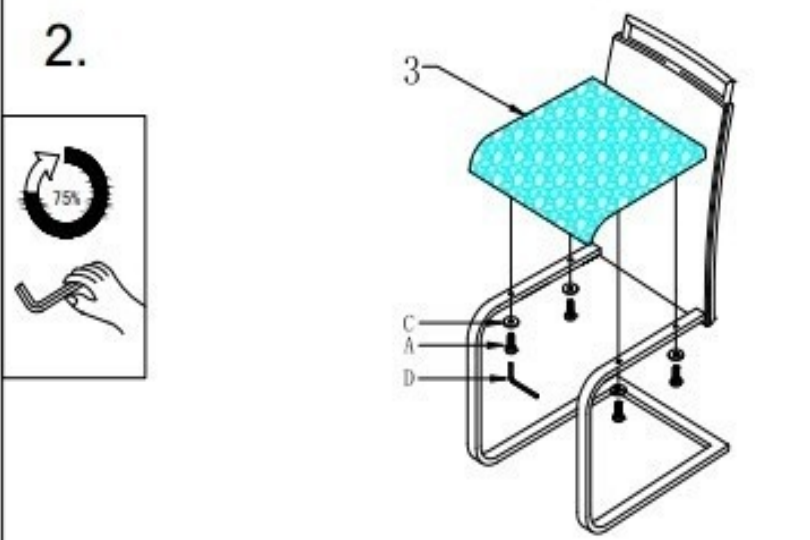
1x

1.

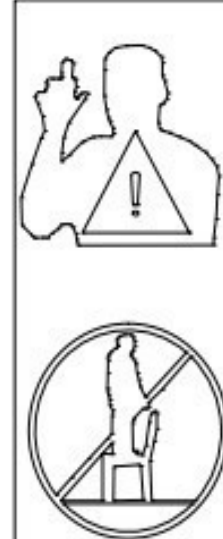
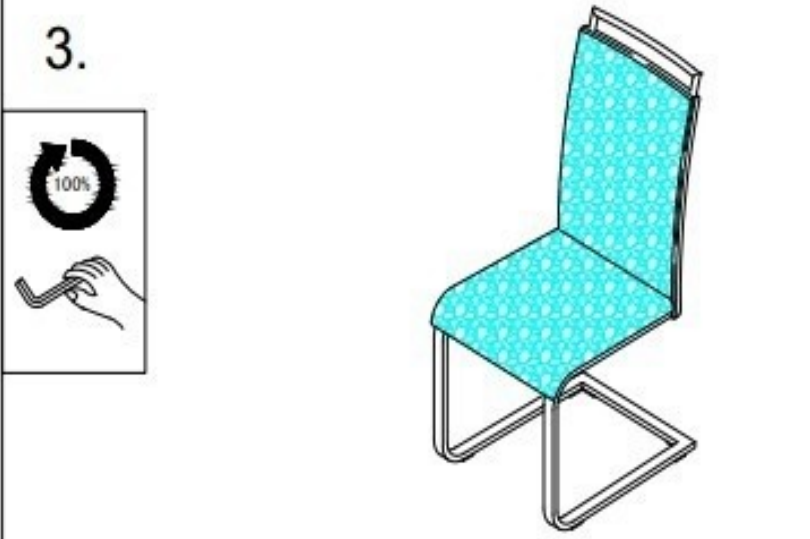
H334



2.



3.



2012. 11. 27