
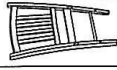

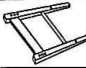


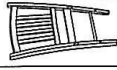

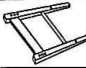


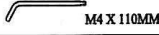
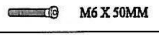
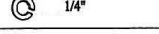


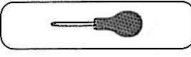
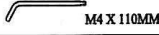
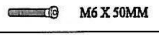
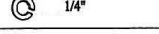


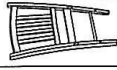

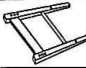


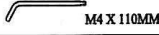
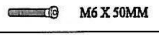
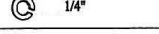


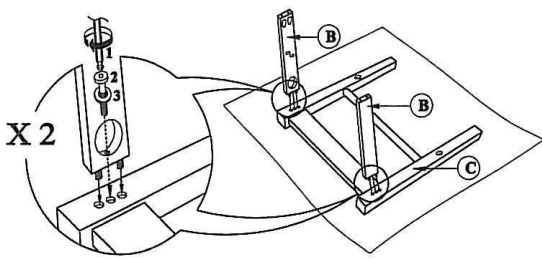
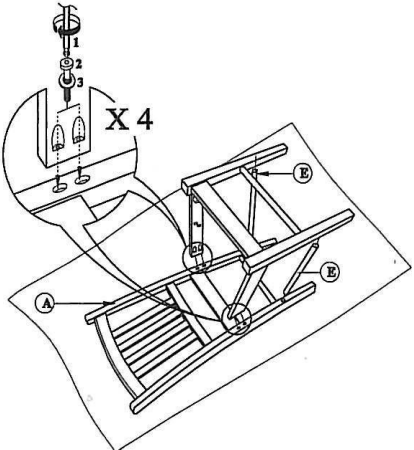
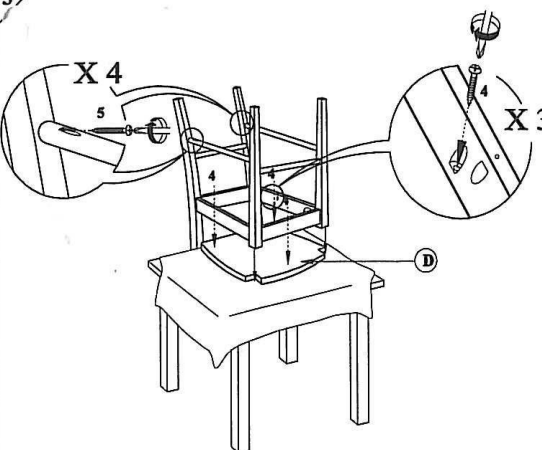


# CD - 57

	<table border="1"> <tr> <td>A</td> <td></td> <td>1</td> </tr> <tr> <td>B</td> <td></td> <td>2</td> </tr> <tr> <td>C</td> <td></td> <td>1</td> </tr> <tr> <td>D</td> <td></td> <td>1</td> </tr> <tr> <td>E</td> <td></td> <td>2</td> </tr> </table>	A		1	B		2	C		1	D		1	E		2	<table border="1"> <tr> <td>1</td> <td></td> <td>M4 X 110MM</td> <td>1</td> </tr> <tr> <td>2</td> <td></td> <td>M6 X 50MM</td> <td>6</td> </tr> <tr> <td>3</td> <td></td> <td>1/4"</td> <td>6</td> </tr> <tr> <td>4</td> <td></td> <td>1 1/4"</td> <td>3</td> </tr> <tr> <td>5</td> <td></td> <td>1 1/2"</td> <td>4</td> </tr> </table> 	1		M4 X 110MM	1	2		M6 X 50MM	6	3		1/4"	6	4		1 1/4"	3	5		1 1/2"	4
A		1																																			
B		2																																			
C		1																																			
D		1																																			
E		2																																			
1		M4 X 110MM	1																																		
2		M6 X 50MM	6																																		
3		1/4"	6																																		
4		1 1/4"	3																																		
5		1 1/2"	4																																		
<p>1</p>  <p>X 2</p>	<p>2</p>  <p>X 4</p>																																				
<p>3</p>  <p>X 4</p> <p>X 3</p>	