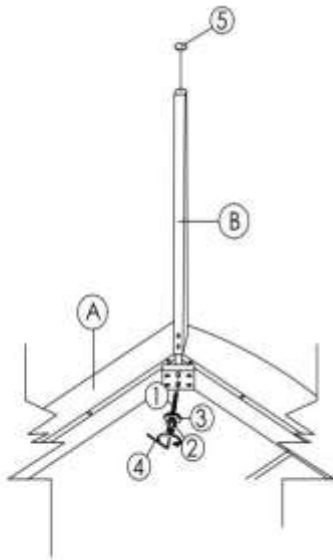


VITRO

ITEM	QTY	ITEM	DESCRIPTION	QTY
A	1 PC	1	M8 X 70MM 	8
B	4 PCS	2		8
		3		8
		4	M5 ALLEN KEY 	1
		5		4

STEP 1



STEP 2

