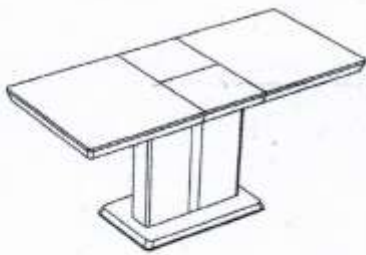
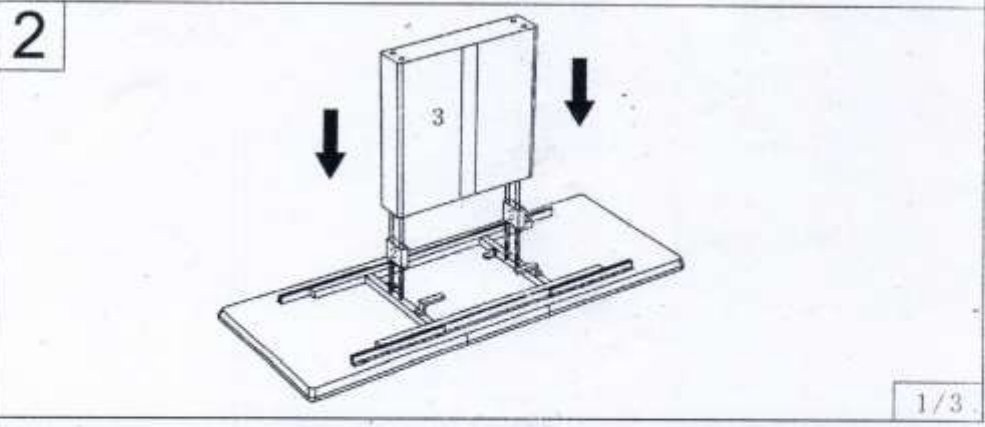
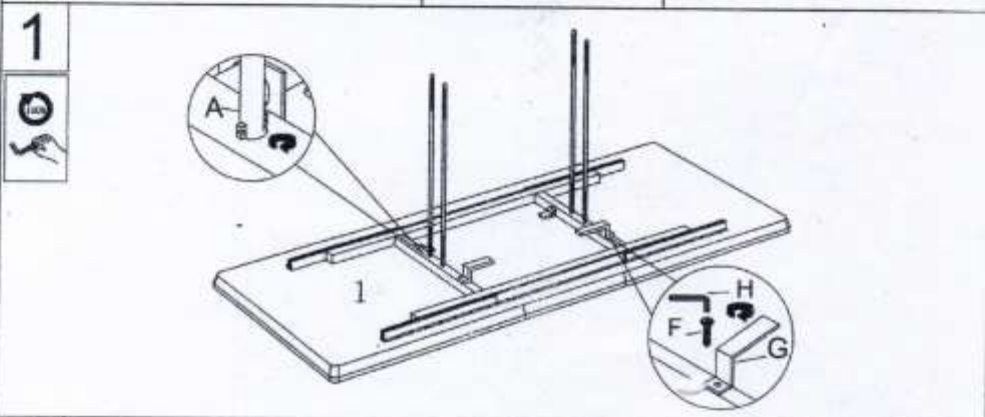


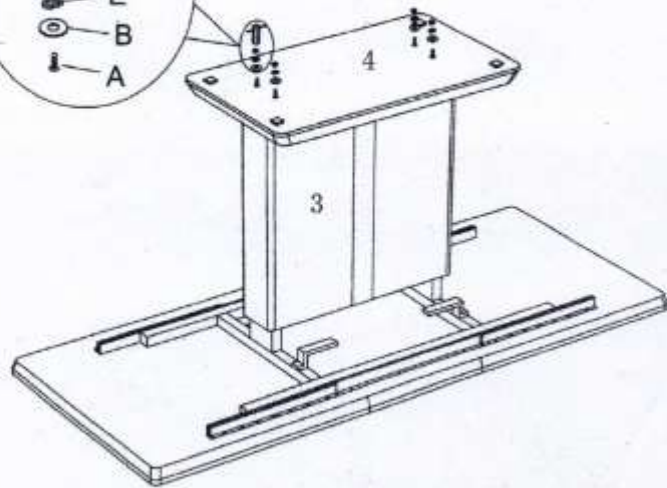
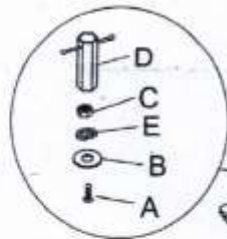
DALLAS



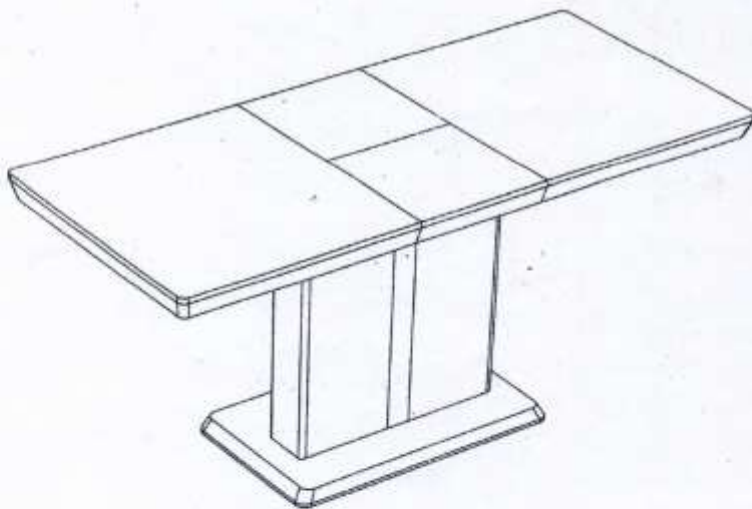
A ← (M6x700)x4	B ○ (∅22x1.5)x4	C ⊕ M8x4	D ⊕ M6x1	E ⊕ M8x4
F ⊕ (M6x16)x2	G _{x2} └┘	H └┘ M5x1		
1 _{x1} 	2 _{x2} 	3 _{x1} 		
4 _{x1} 				



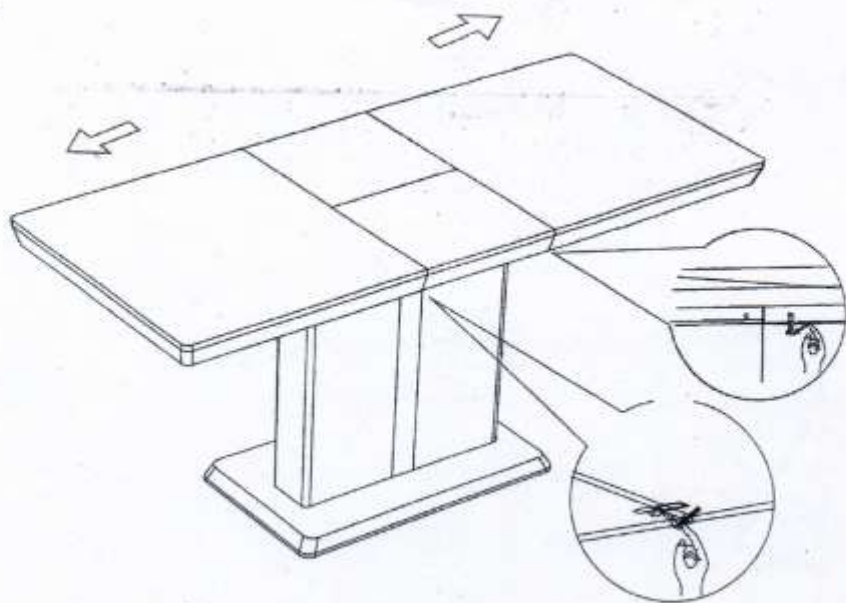
3



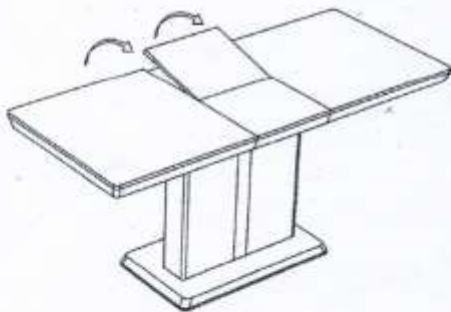
4



5



6



7

