

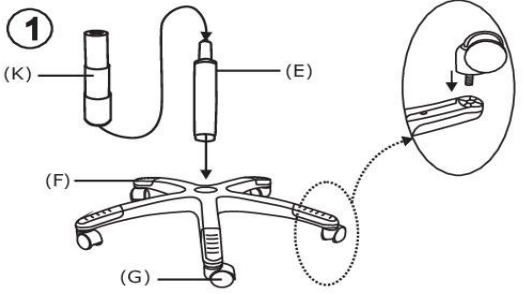
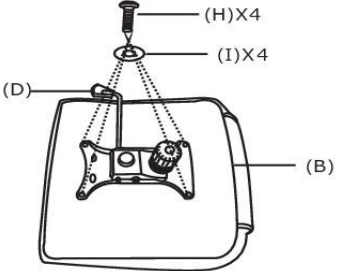


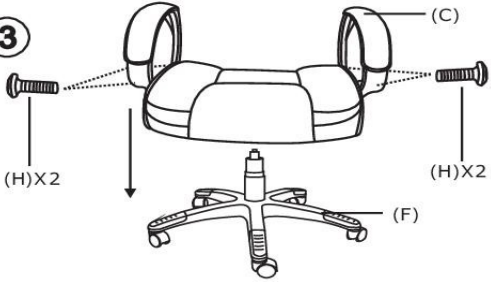
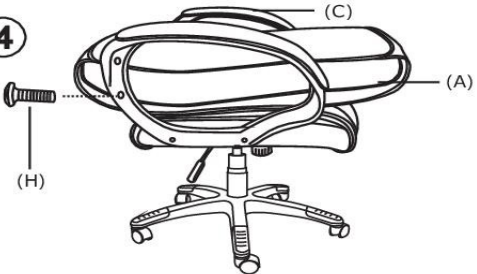


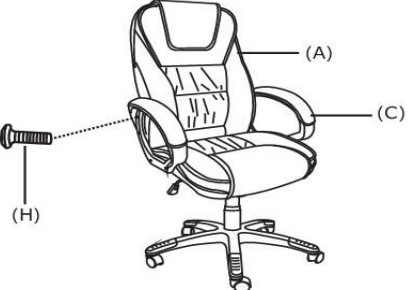

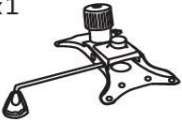

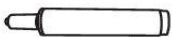
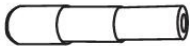



# INSTRUKCJA MONTAŻU/Assembly Instruction

Q-031/D-9130

<p>Ax1</p> 	<p>Gx5</p> 	<p><b>1</b></p> 	<p><b>2</b></p> 
<p>Bx1</p> 	<p>Hx12</p> 	<p><b>3</b></p> 	<p><b>4</b></p> 
<p>Cx1(L)x1(R)</p> 	<p>Ix4</p> 	<p><b>5</b></p> 	<p><b>6</b></p> 
<p>Dx1</p> 	<p>Jx8</p> 		
<p>Ex1</p> 	<p>Kx1</p> 		
<p>Fx1</p> 	<p>Lx1</p> 