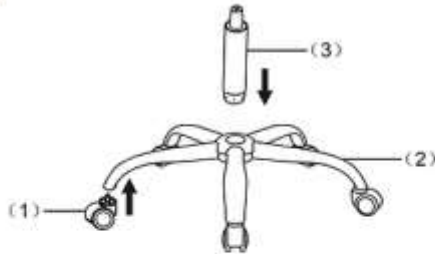


Dexter

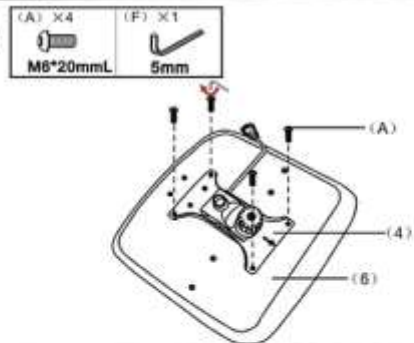


(1) × 8		(A) × 4	 M6*20mmL
(2) × 1		(B) × 4	 M6*30mmL
(3) × 1		(C) × 8	 M6*25mmL
(4) × 1		(D) × 8	 φ15*φ8*1.5mmT
(5) × 1		(E) × 1L×1R	
(6) × 1		(F) × 1	 5mm
(7) × 1L×1R			

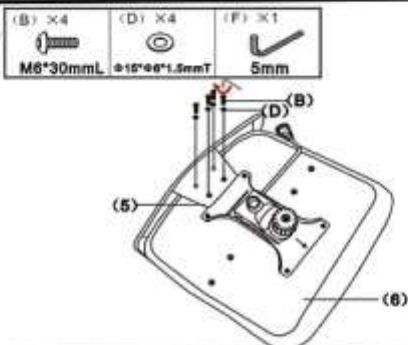
1



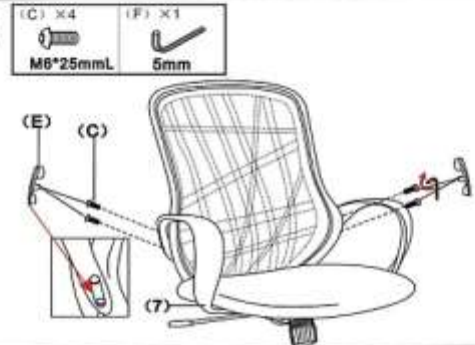
2



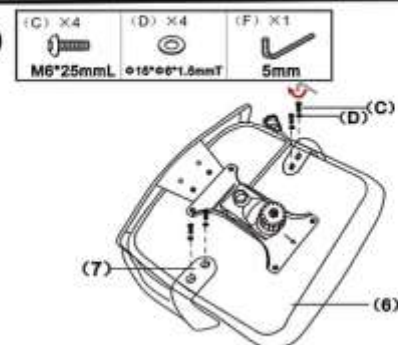
3



4



5



6

